

# SPECIFICATION SHEET

**COLLECTION:** NOTION

**PRODUCT CODE:** IND-T148/2-NOT-BRN



**FINISH:**

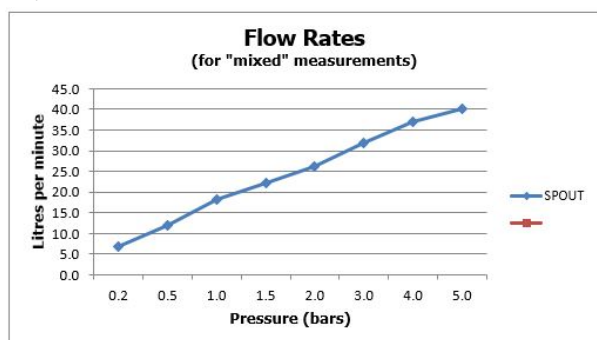
Brushed Nickel

**MINIMUM OPERATING PRESSURE:**

0.2 bar LP (shower) 1.0 bar MP (bath)

**FLOW RATE AT 3.0 BAR FLOW PRESSURE:**

32 l/min



tel: 01934 744466  
email: sales@vado.com  
www.vado.com

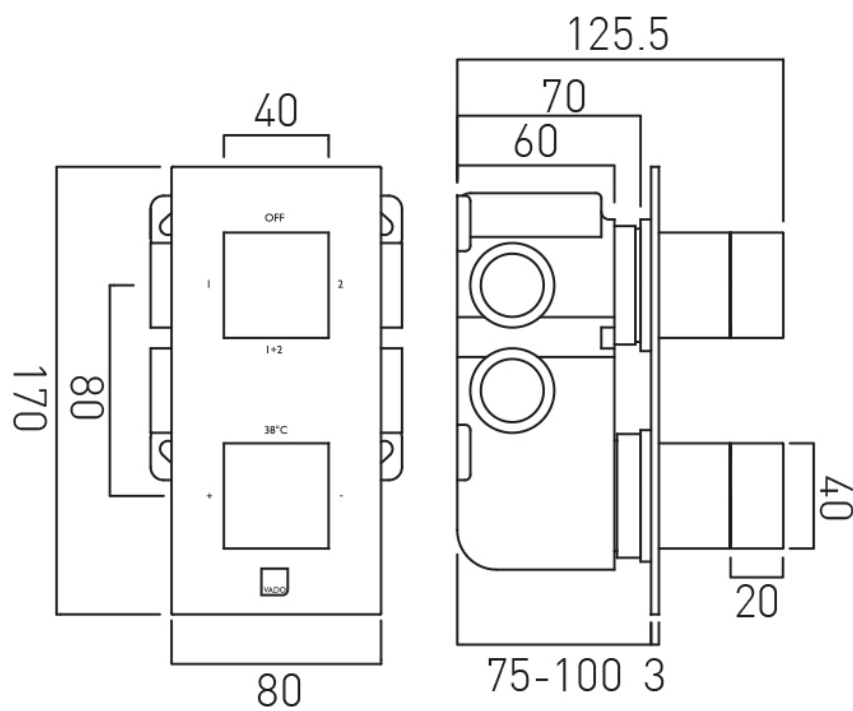
**where inspiration flows**  
taps | showering | accessories



# TECHNICAL DRAWING

**COLLECTION:** NOTION

**PRODUCT CODE:** IND-T148/2-NOT-BRN



tel: 01934 744466  
email: sales@vado.com  
www.vado.com

**where inspiration flows**  
taps | showering | accessories



# SPECIFICATION SHEET

**COLLECTION:** INDIVIDUAL

**PRODUCT CODE:** IND-SQ/30-BRN



**DESCRIPTION:**

single function easy clean slim line square shower head  
300mm (12")

minimum operating pressure 0.2 bar LP

**FINISH:**

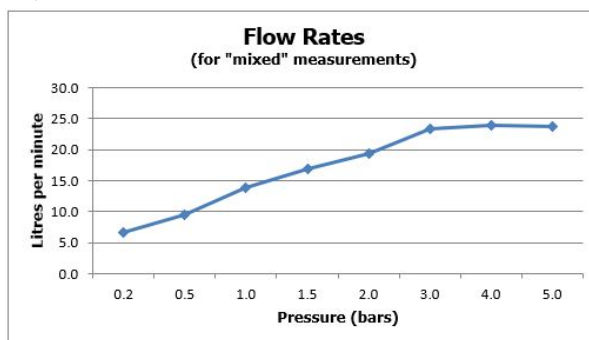
Brushed Nickel

**MINIMUM OPERATING PRESSURE:**

0.2 bar LP

**FLOW RATE AT 3.0 BAR FLOW PRESSURE:**

24 l/min



tel: 01934 744466  
email: [sales@vado.com](mailto:sales@vado.com)  
[www.vado.com](http://www.vado.com)

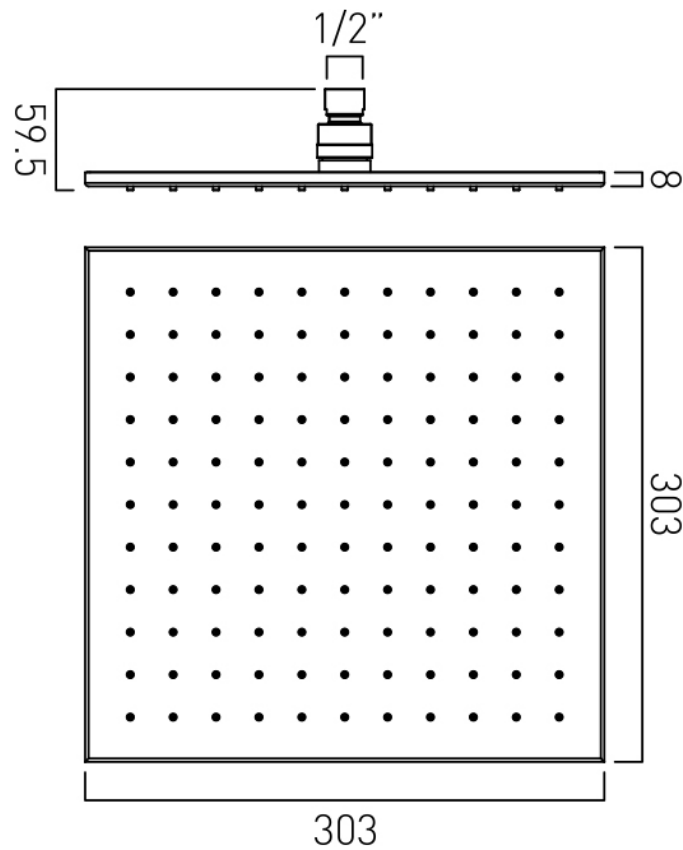
**where inspiration flows**  
taps | showering | accessories



# TECHNICAL DRAWING

**COLLECTION:** INDIVIDUAL

**PRODUCT CODE:** IND-SQ/30-BRN



tel: 01934 744466  
email: sales@vado.com  
www.vado.com

**where inspiration flows**  
taps | showering | accessories



---

# SPECIFICATION SHEET

**COLLECTION:** INDIVIDUAL

**PRODUCT CODE:** IND-EFSA/SQ-BRN



**DESCRIPTION:**

shower arm square easy fit wall mounted

**FINISH:**

Brushed Nickel



tel: 01934 744466  
email: [sales@vado.com](mailto:sales@vado.com)  
[www.vado.com](http://www.vado.com)

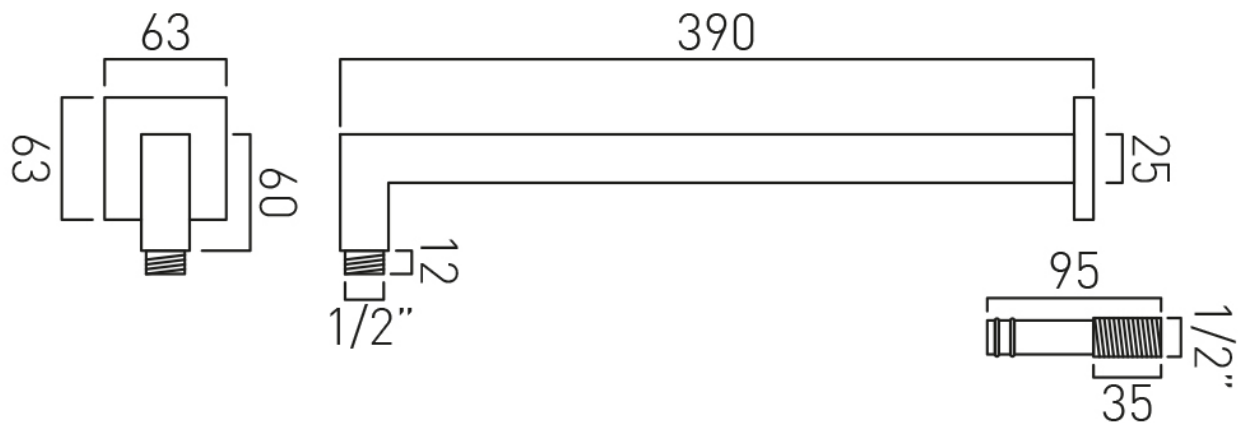
**where inspiration flows**  
taps | showering | accessories



# TECHNICAL DRAWING

**COLLECTION:** INDIVIDUAL

**PRODUCT CODE:** IND-EFSA/SQ-BRN



tel: 01934 744466  
email: sales@vado.com  
www.vado.com

**where inspiration flows**  
taps | showering | accessories



# SPECIFICATION SHEET

**COLLECTION:** INDIVIDUAL

**PRODUCT CODE:** IND-SFSRK/SQ-BRN



**DESCRIPTION:**

single-function slide rail shower kit with

- single function handset
- rub-clean
- 900mm slide rail
- 150cm shower hose
- wall mounted

minimum operating pressure 1.0 bar MP

**FINISH:**

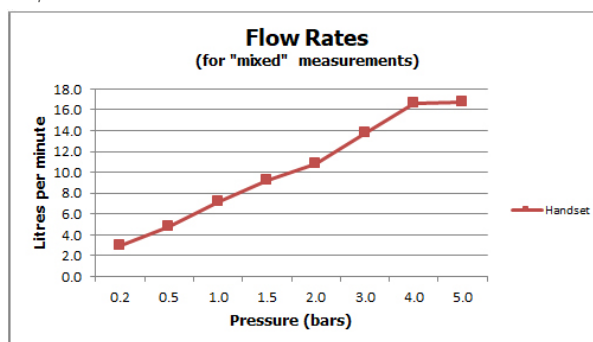
Brushed Nickel

**MINIMUM OPERATING PRESSURE:**

1.0 bar MP

**FLOW RATE AT 3.0 BAR FLOW PRESSURE:**

14 l/m



tel: 01934 744466  
email: sales@vado.com  
www.vado.com

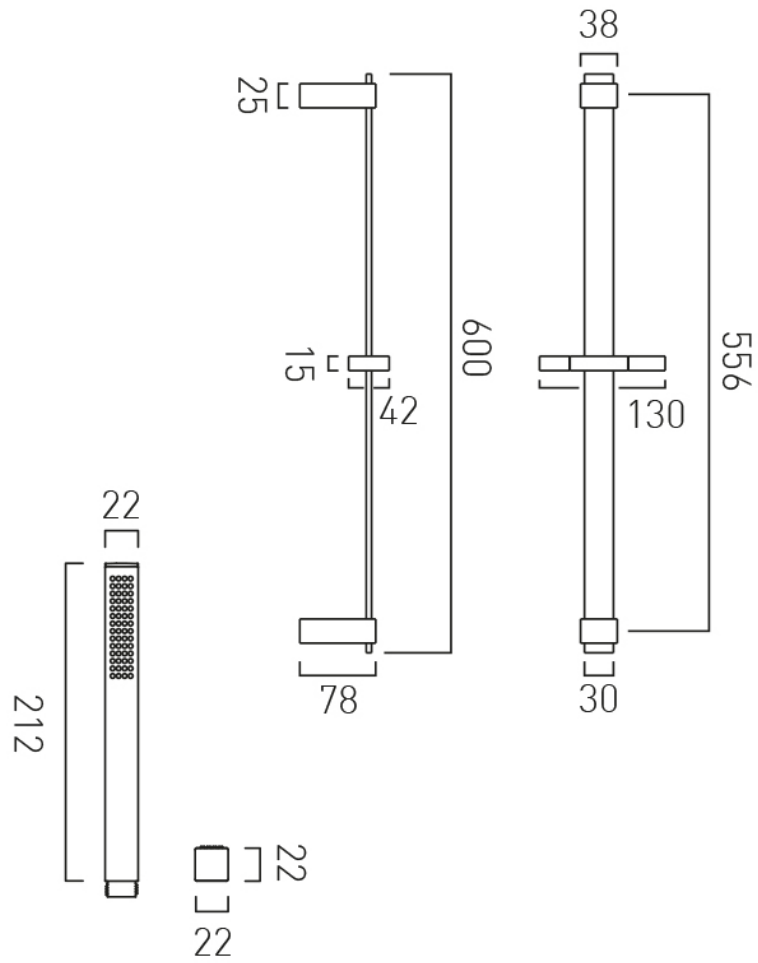
**where inspiration flows**  
taps | showering | accessories



# TECHNICAL DRAWING

**COLLECTION:** INDIVIDUAL

**PRODUCT CODE:** IND-SFSRK/SQ-BRN



tel: 01934 744466  
email: sales@vado.com  
www.vado.com

**where inspiration flows**  
taps | showering | accessories





# SPECIFICATION SHEET

**COLLECTION:** INDIVIDUAL

**PRODUCT CODE:** IND-OUTLET/SQ-BRN



**DESCRIPTION:**  
square wall outlet

**FINISH:**  
Brushed Nickel



tel: 01934 744466  
email: [sales@vado.com](mailto:sales@vado.com)  
[www.vado.com](http://www.vado.com)

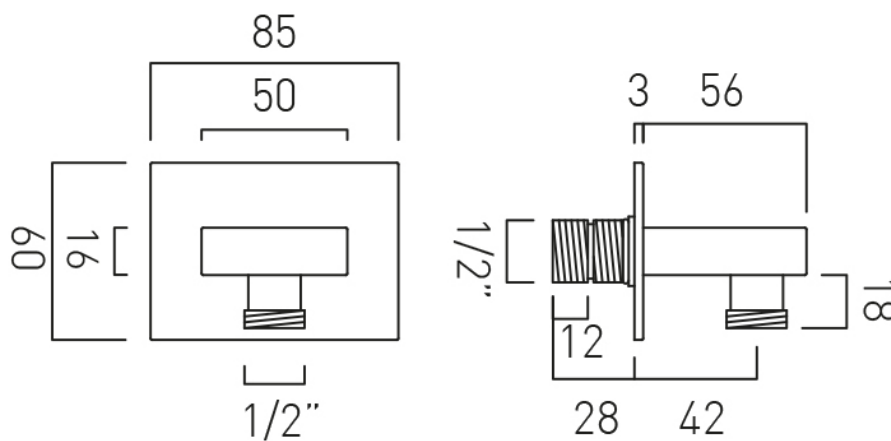
**where inspiration flows**  
taps | showering | accessories



# TECHNICAL DRAWING

**COLLECTION:** INDIVIDUAL

**PRODUCT CODE:** IND-OUTLET/SQ-BRN



tel: 01934 744466  
email: sales@vado.com  
www.vado.com

**where inspiration flows**  
taps | showering | accessories

