

SPECIFICATION SHEET

COLLECTION: AXBRIDGE

PRODUCT CODE: BC-AXB-148/2-BN



DESCRIPTION:

Axbridge
2 Outlet 2 Handle Thermostatic Valve
wall mounted
2 x 3/4" female inlets
2 x 3/4" female outlets
includes 3/4" - 1/2" adaptors
supplied with mortar/tile guard
min-max wall mount 75-100mm
minimum operating pressure
0.2 bar LP (shower) 1.0 bar MP (bath)

FINISH:

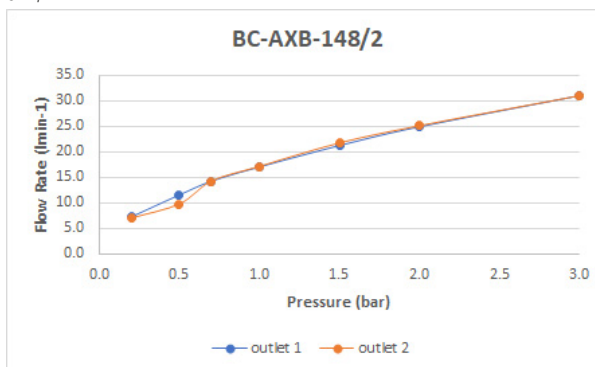
Bright Nickel

MINIMUM OPERATING PRESSURE:

Shower 0.2 bar LP Bath 1.0 bar MP

FLOW RATE AT 3.0 BAR FLOW PRESSURE:

31 l/min



BOOTH & Co.
ENGLAND

Timeless Design. Pioneering Performance.

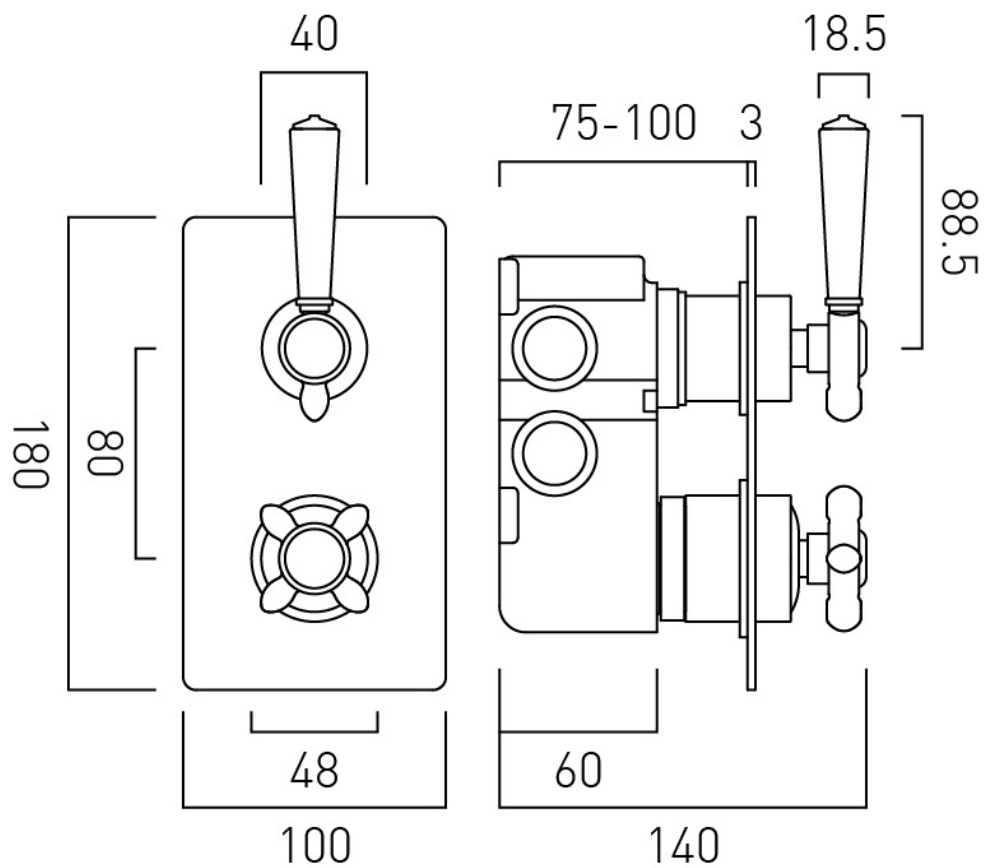
Your journey to distinction awaits.

01934 744466 | sales@vado.com | www.vado.com/booth-and-co

TECHNICAL DRAWING

COLLECTION: AXBRIDGE

PRODUCT CODE: BC-AXB-148/2-BN



BOOTH & Co.
ENGLAND

Timeless Design. Pioneering Performance.

Your journey to distinction awaits.

01934 744466 | sales@vado.com | www.vado.com/booth-and-co

SPECIFICATION SHEET

COLLECTION: AXBRIDGE

PRODUCT CODE: BC-AXB-SFMKWO-BN



DESCRIPTION:

Axbridge
single function mini shower kit
wall mounted
with 150cm hose
and bracket with integrated outlet
1/2" inlet
minimum operating pressure 0.2 bar LP

FINISH:

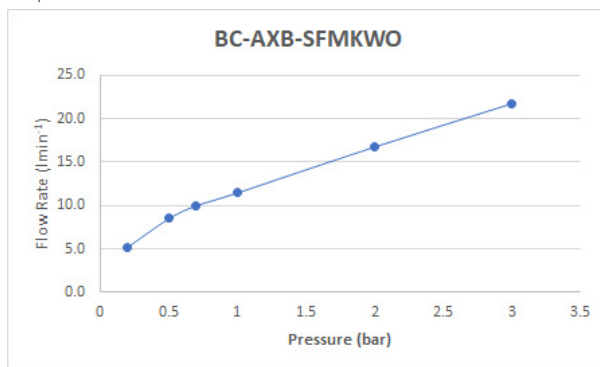
Bright Nickel

MINIMUM OPERATING PRESSURE:

0.2 bar LP

FLOW RATE AT 3.0 BAR FLOW PRESSURE:

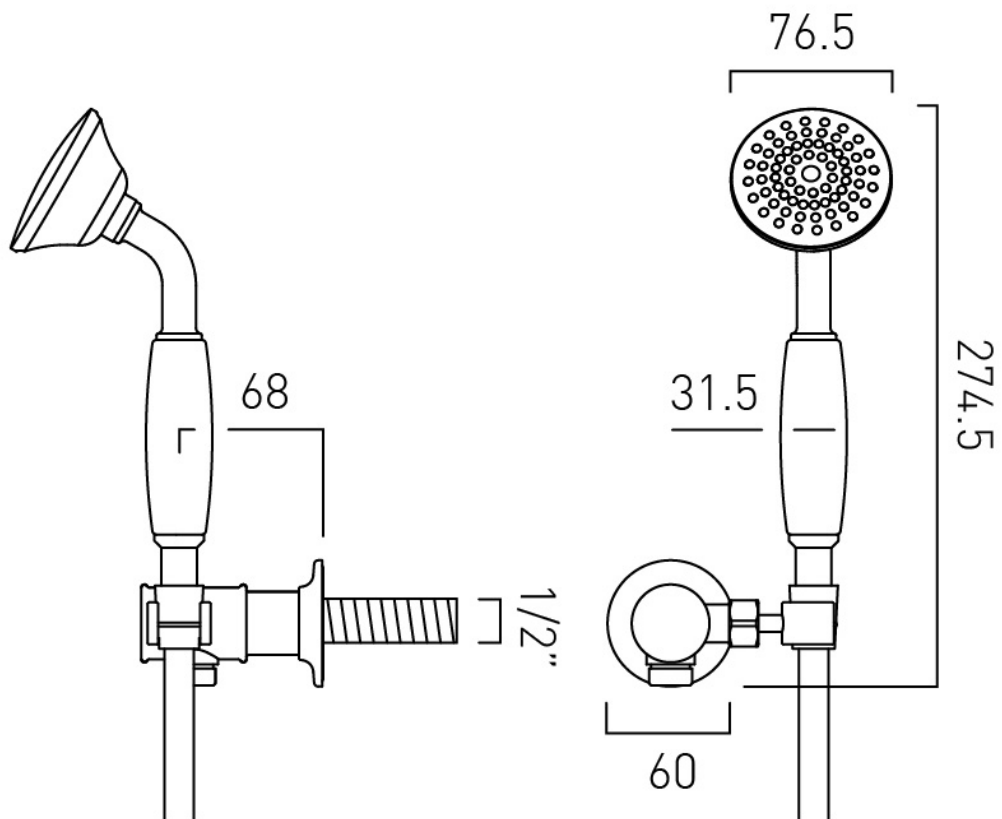
22 l/min



TECHNICAL DRAWING

COLLECTION: AXBRIDGE

PRODUCT CODE: BC-AXB-SFMKWO-BN



SPECIFICATION SHEET

COLLECTION: AXBRIDGE

PRODUCT CODE: BC-AXB-140-BN



DESCRIPTION:

Axbridge
bath spout
wall mounted
with water flow straightener
1/2" inlet
minimum operating pressure 1 bar MP

FINISH:

Bright Nickel

MINIMUM OPERATING PRESSURE:

1.0 bar MP



Timeless Design. Pioneering Performance.

BOOTH & Co.
ENGLAND

Your journey to distinction awaits.

01934 744466 | sales@vado.com | www.vado.com/booth-and-co

TECHNICAL DRAWING

COLLECTION: AXBRIDGE

PRODUCT CODE: BC-AXB-140-BN

