

# SPECIFICATION SHEET

**COLLECTION:** AXBRIDGE

**PRODUCT CODE:** BC-AXB-148/2-BN



**DESCRIPTION:**

Axbridge  
2 Outlet 2 Handle Thermostatic Valve  
wall mounted  
2 x 3/4" female inlets  
2 x 3/4" female outlets  
includes 3/4" - 1/2" adaptors  
supplied with mortar/tile guard  
min-max wall mount 75-100mm  
minimum operating pressure  
0.2 bar LP (shower) 1.0 bar MP (bath)

**FINISH:**

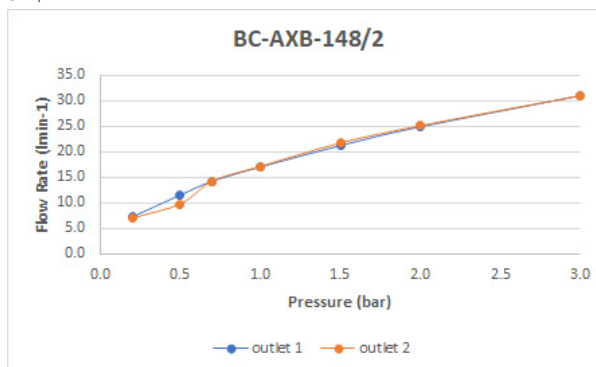
Bright Nickel

**MINIMUM OPERATING PRESSURE:**

Shower 0.2 bar LP Bath 1.0 bar MP

**FLOW RATE AT 3.0 BAR FLOW PRESSURE:**

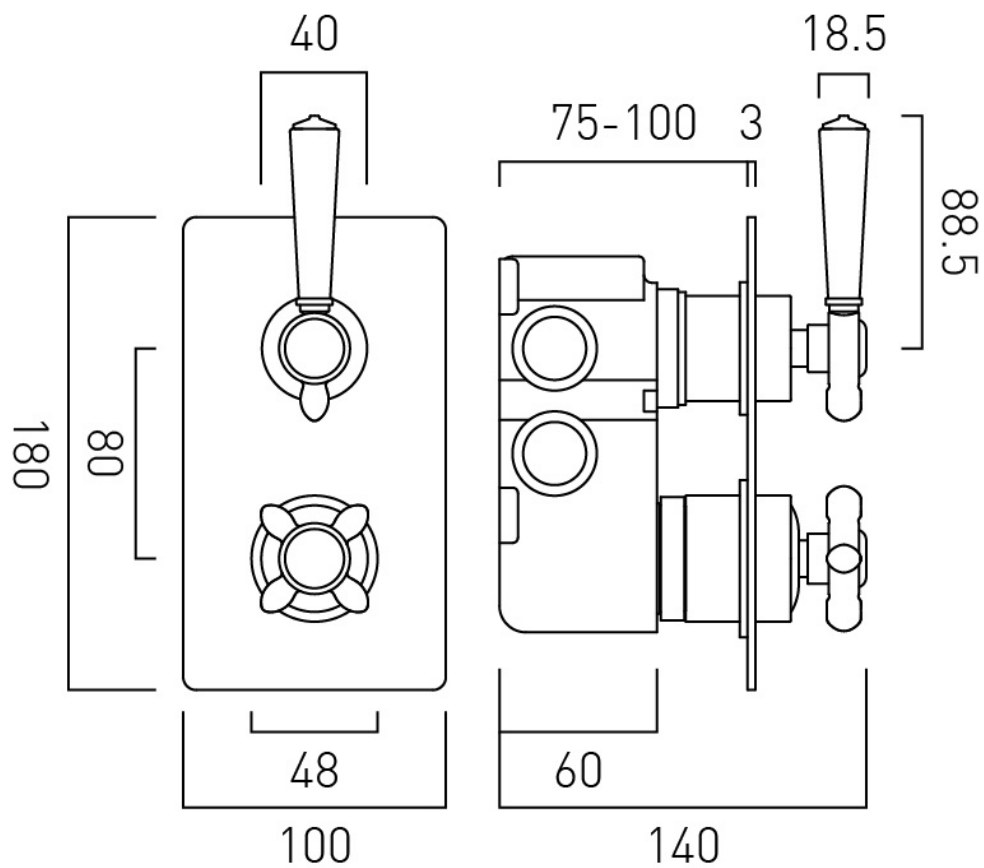
31 l/min



# TECHNICAL DRAWING

**COLLECTION:** AXBRIDGE

**PRODUCT CODE:** BC-AXB-148/2-BN



**BOOTH & Co.**  
ENGLAND

Timeless Design. Pioneering Performance.

Your journey to distinction awaits.

01934 744466 | sales@vado.com | www.vado.com/booth-and-co

# SPECIFICATION SHEET

**COLLECTION:** AXBRIDGE

**PRODUCT CODE:** BC-AXB-SFMKWO-BN



**DESCRIPTION:**

Axbridge  
single function mini shower kit  
wall mounted  
with 150cm hose  
and bracket with integrated outlet  
1/2" inlet  
minimum operating pressure 0.2 bar LP

**FINISH:**

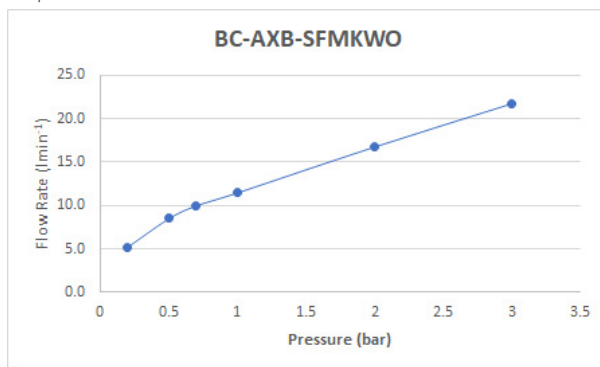
Bright Nickel

**MINIMUM OPERATING PRESSURE:**

0.2 bar LP

**FLOW RATE AT 3.0 BAR FLOW PRESSURE:**

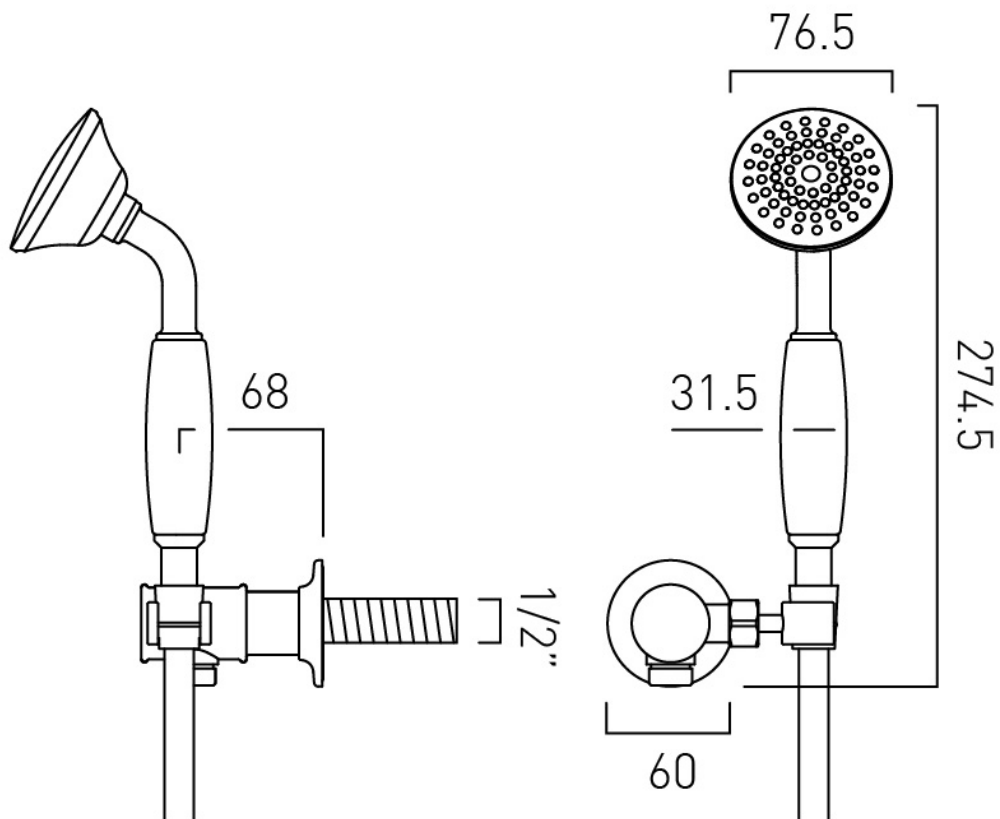
22 l/min



# TECHNICAL DRAWING

**COLLECTION:** AXBRIDGE

**PRODUCT CODE:** BC-AXB-SFMKWO-BN



---

# SPECIFICATION SHEET

**COLLECTION:** AXBRIDGE

**PRODUCT CODE:** BC-AXB-140-BN



**DESCRIPTION:**

Axbridge  
bath spout  
wall mounted  
with water flow straightener  
1/2" inlet  
minimum operating pressure 1 bar MP

**FINISH:**

Bright Nickel

**MINIMUM OPERATING PRESSURE:**

1.0 bar MP



---

Timeless Design. Pioneering Performance.

**BOOTH & Co.**  
ENGLAND

---

*Your journey to distinction awaits.*

01934 744466 | sales@vado.com | www.vado.com/booth-and-co

# TECHNICAL DRAWING

**COLLECTION:** AXBRIDGE

**PRODUCT CODE:** BC-AXB-140-BN

