

SPECIFICATION SHEET

COLLECTION:

PRODUCT CODE: XSH-LUXSHATTAF100-CP



DESCRIPTION:

luxury brass shattaf handset
with 150cm hose and wall bracket
wall mounted
minimum operating pressure 1.0 bar MP

FINISH:

Chrome

FLOW REGULATOR:

FR-SHOWER/9-C/P

MINIMUM OPERATING PRESSURE:

1.0 bar MP



tel: 01934 744466
email: sales@vado.com
www.vado.com

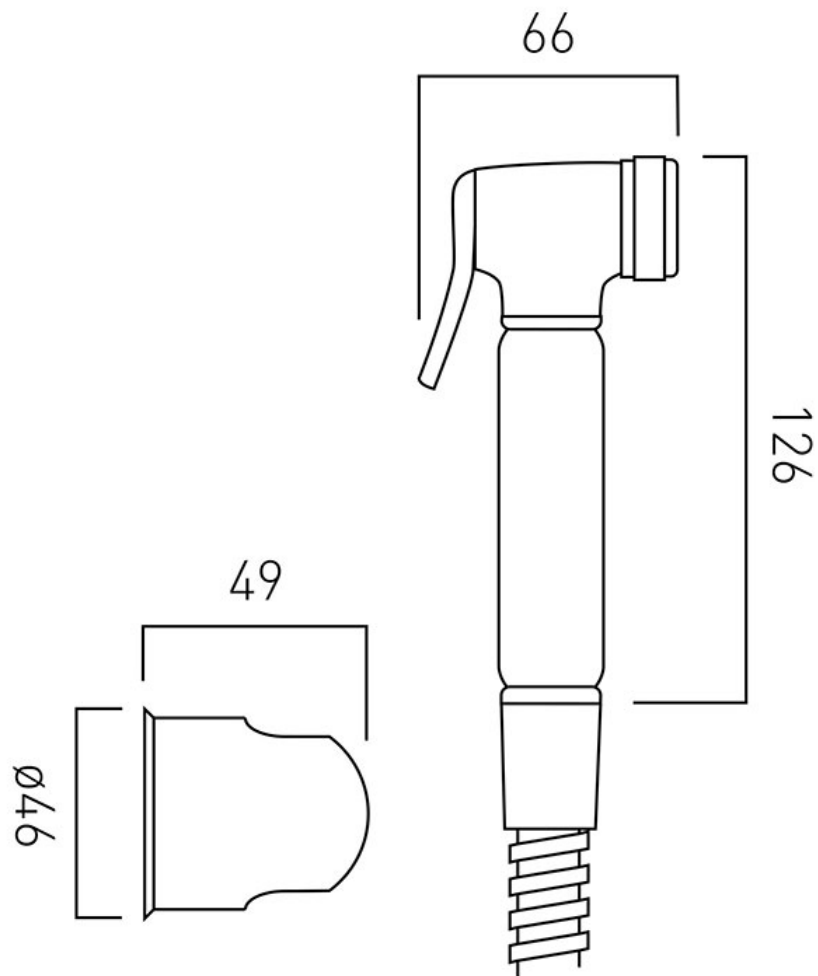
where inspiration flows
taps | showering | accessories



TECHNICAL DRAWING

COLLECTION:

PRODUCT CODE: XSH-LUXSHATTAF100-CP



tel: 01934 744466
email: sales@vado.com
www.vado.com

where inspiration flows
taps | showering | accessories

