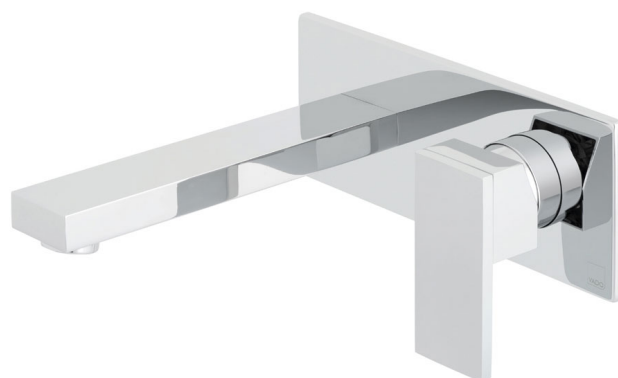


# SPECIFICATION SHEET

**COLLECTION:** NOTION

**PRODUCT CODE:** NOT-109FS/A-C/P



**DESCRIPTION:**

2 hole basin mixer  
single lever  
wall mounted  
with rectangular backplate  
with water flow aerator  
ceramic cartridge CAR-K35B  
2 x 1/2" inlets  
min-max wall mount 53-73mm  
minimum operating pressure 0.2 bar LP

**FINISH:**

Chrome

**FLOW REGULATOR:**

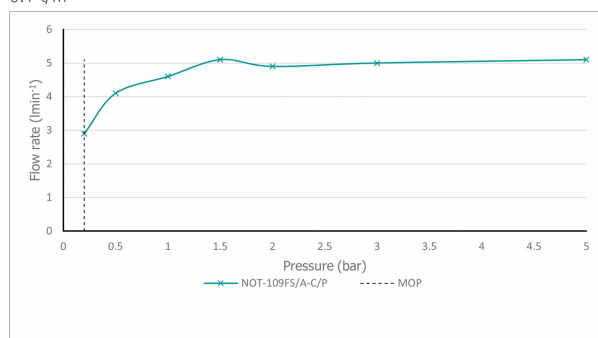
FR-100/5-PLA

**MINIMUM OPERATING PRESSURE:**

0.2 bar LP

**FLOW RATE AT 3.0 BAR FLOW PRESSURE:**

5.1 l/m



tel: 01934 744466  
email: sales@vado.com  
www.vado.com

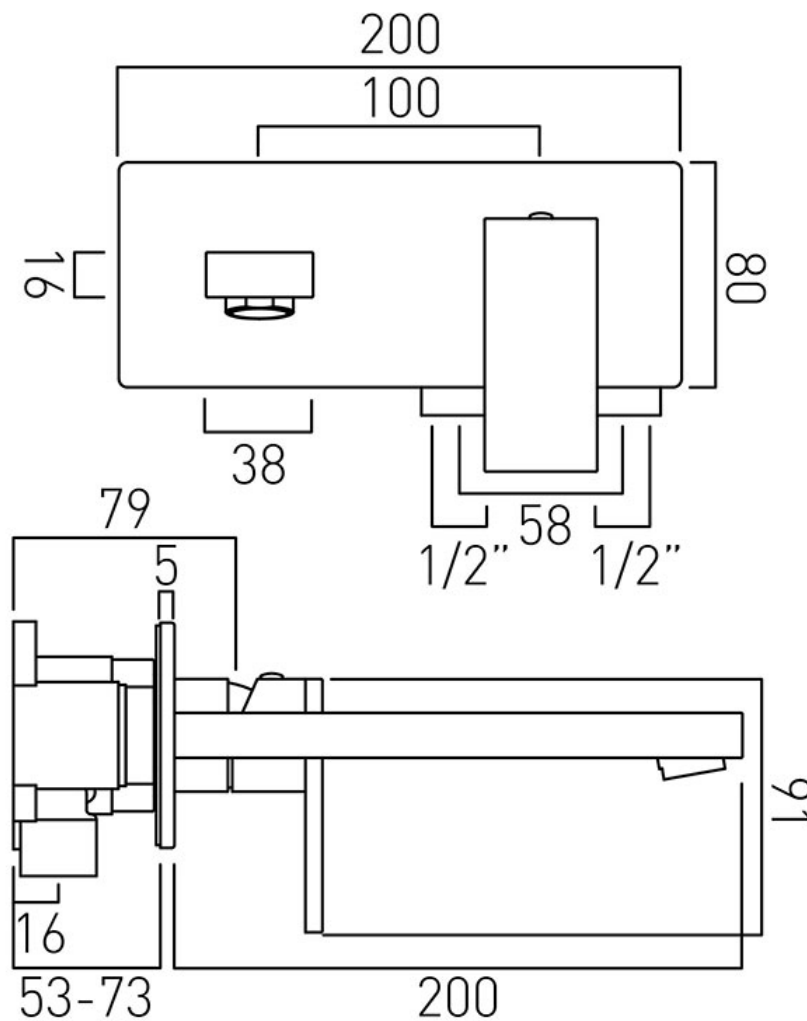
**where inspiration flows**  
taps | showering | accessories



# TECHNICAL DRAWING

**COLLECTION:** NOTION

**PRODUCT CODE:** NOT-109FS/A-C/P



tel: 01934 744466  
email: sales@vado.com  
www.vado.com

**where inspiration flows**  
taps | showering | accessories

