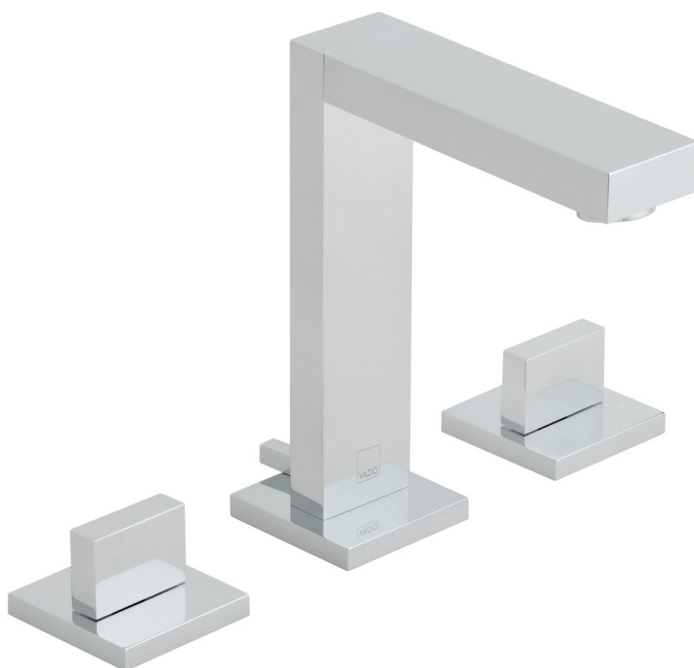


SPECIFICATION SHEET

COLLECTION: NOTION

PRODUCT CODE: NOT-101F-C/P



DESCRIPTION:

3 hole basin mixer
with fixed spout
deck mounted
with optional pop-up waste
2 x 1/2" female x 1/2" female x 600mm
flexipipe connections
valve deck mount drill hole diameter 34mm
spout deck mount drill hole diameter 20mm
cold ceramic cartridge C-501-RTC
hot ceramic cartridge C-501-LTC
minimum operating pressure 0.2 bar LP

FINISH:

Chrome

FLOW REGULATOR:

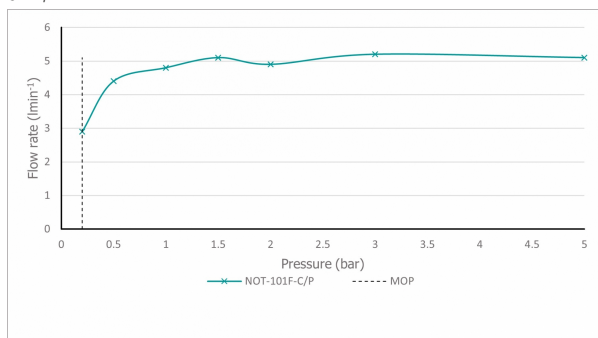
FR-100/5-PLA

MINIMUM OPERATING PRESSURE:

0.2 bar LP

FLOW RATE AT 3.0 BAR FLOW PRESSURE:

5.2 l/min



15
year guarantee

tel: 01934 744466
email: sales@vado.com
www.vado.com

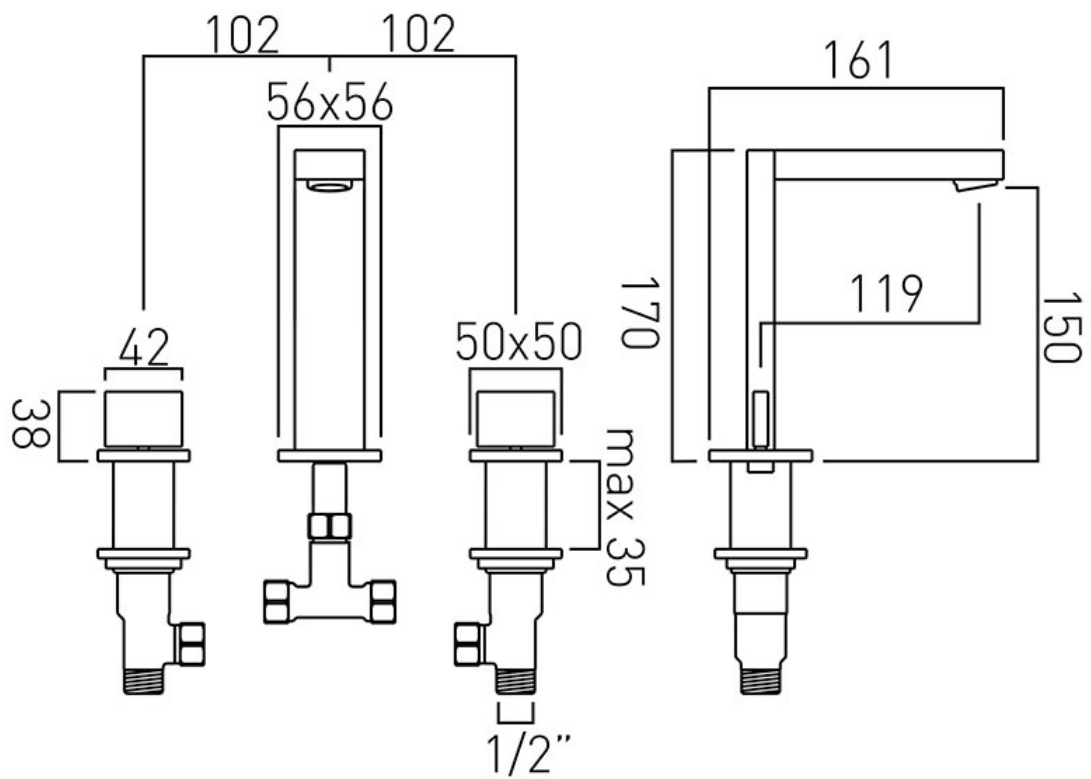
where inspiration flows
taps | showering | accessories



TECHNICAL DRAWING

COLLECTION: NOTION

PRODUCT CODE: NOT-101F-C/P



tel: 01934 744466
email: sales@vado.com
www.vado.com

where inspiration flows
taps | showering | accessories

