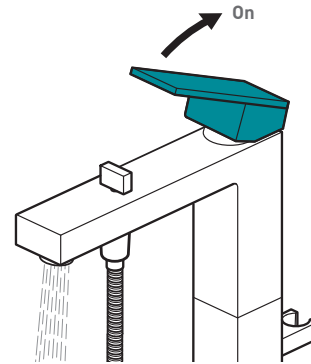
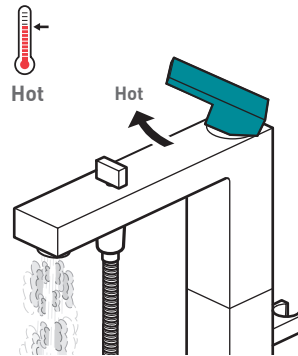


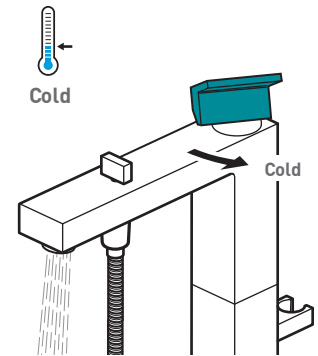
Operation



Moving the mixer lever upwards/downwards will increase/decrease the flow of water.

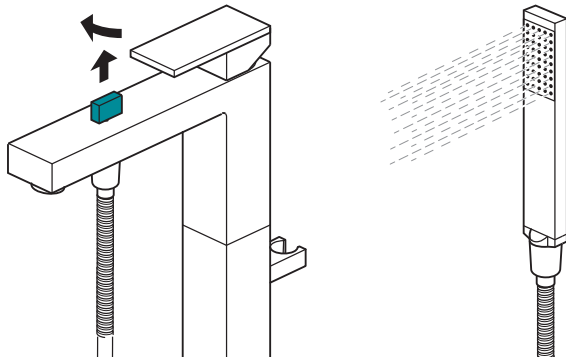


Moving the mixer lever to the left will increase the water temperature.

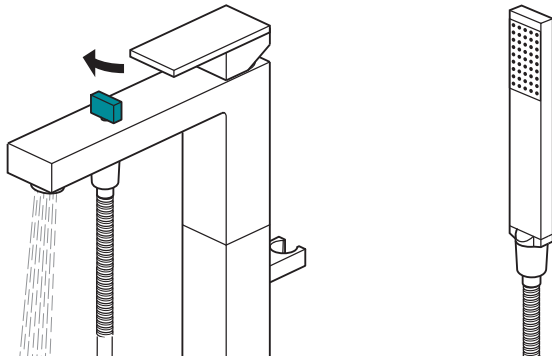


Moving the mixer lever to the right will decrease the water temperature.

Operation



Pull up the diverter handle and turn clockwise to lock into position.



Turn clockwise again to release the diverter and go back to the primary outlet.

Cleaning instructions:

The electroplating on this product is finished to the highest standard. Due care needs to be taken to ensure the appearance is retained. We recommend cleaning all products with a soft damp cloth **ONLY** and advise strongly against the use of all aggressive/corrosive cleaning products i.e. powders and liquids. If these instructions are not followed, this may invalidate your guarantee in the event of a problem occurring.