

SPECIFICATION SHEET

COLLECTION: PHASE

PRODUCT CODE: PHA-200MF/SB-C/P



DESCRIPTION:

mini mono basin mixer
single lever
deck mounted
smooth bodied
without universal basin waste
with water flow aerator
ceramic cartridge C-001-N25
2 x 1/2" x 400mm flexipipe connections
deck mount drill hole diameter 35mm
minimum operating pressure 0.5 bar LP

FINISH:

Chrome

FLOW REGULATOR:

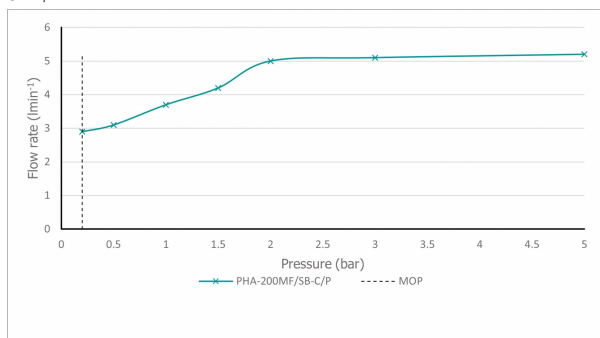
5l/min fitted as standard

MINIMUM OPERATING PRESSURE:

0.5 bar LP

FLOW RATE AT 3.0 BAR FLOW PRESSURE:

5.1 l/m



tel: 01934 744466
email: sales@vado.com
www.vado.com

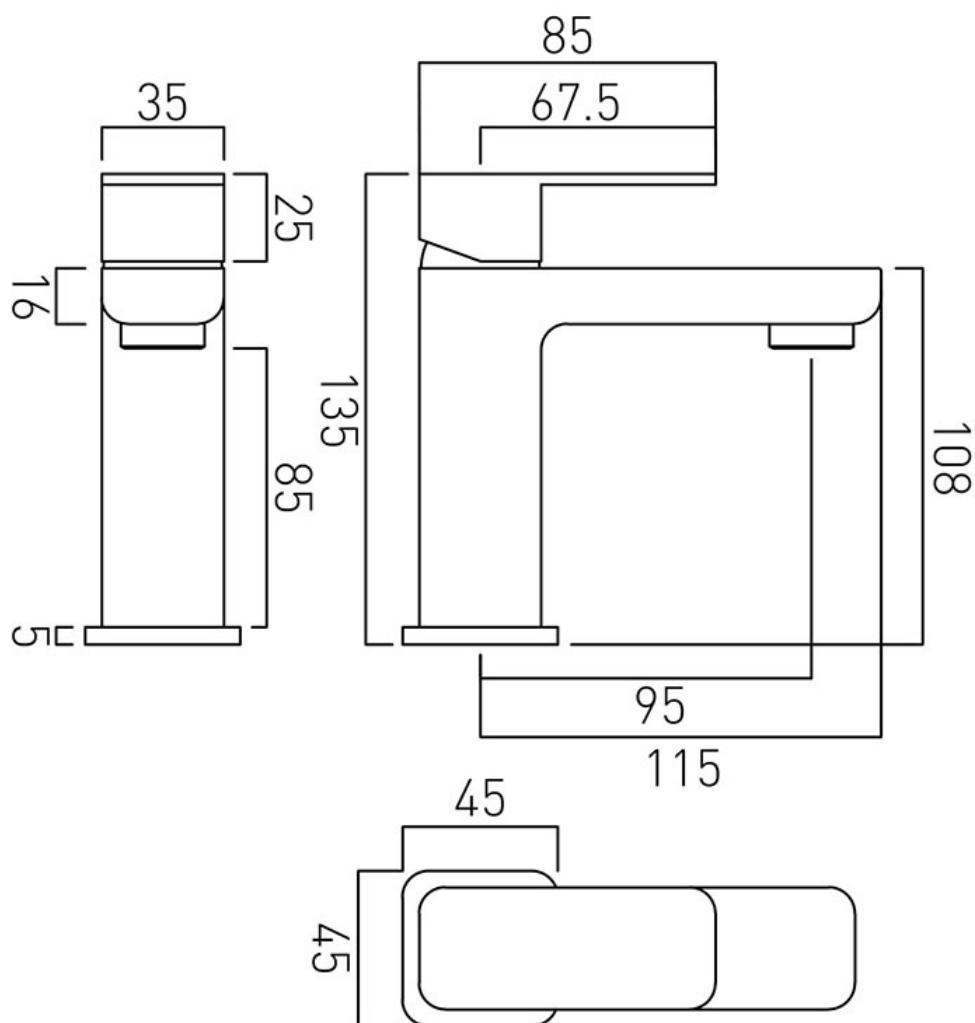
where inspiration flows
taps | showering | accessories



TECHNICAL DRAWING

COLLECTION: PHASE

PRODUCT CODE: PHA-200MF/SB-C/P



tel: 01934 744466
email: sales@vado.com
www.vado.com

where inspiration flows
taps | showering | accessories

