

SPECIFICATION SHEET

COLLECTION: PHOTON

PRODUCT CODE: PHO-109FS/A-C/P



DESCRIPTION:

2 hole basin mixer
single lever
wall mounted
with oval backplate
with water flow aerator
2 x 1/2" female inlets
ceramic cartridge CAR-K35B
min-max wall mount 53-73mm
minimum operating pressure 0.2 bar LP

FINISH:

Chrome

FLOW REGULATOR:

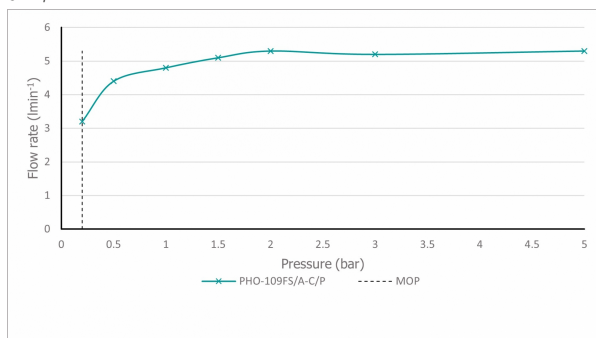
FR-100/5-PLA

MINIMUM OPERATING PRESSURE:

0.2 bar LP

FLOW RATE AT 3.0 BAR FLOW PRESSURE:

5.2 l/m



tel: 01934 744466
email: sales@vado.com
www.vado.com

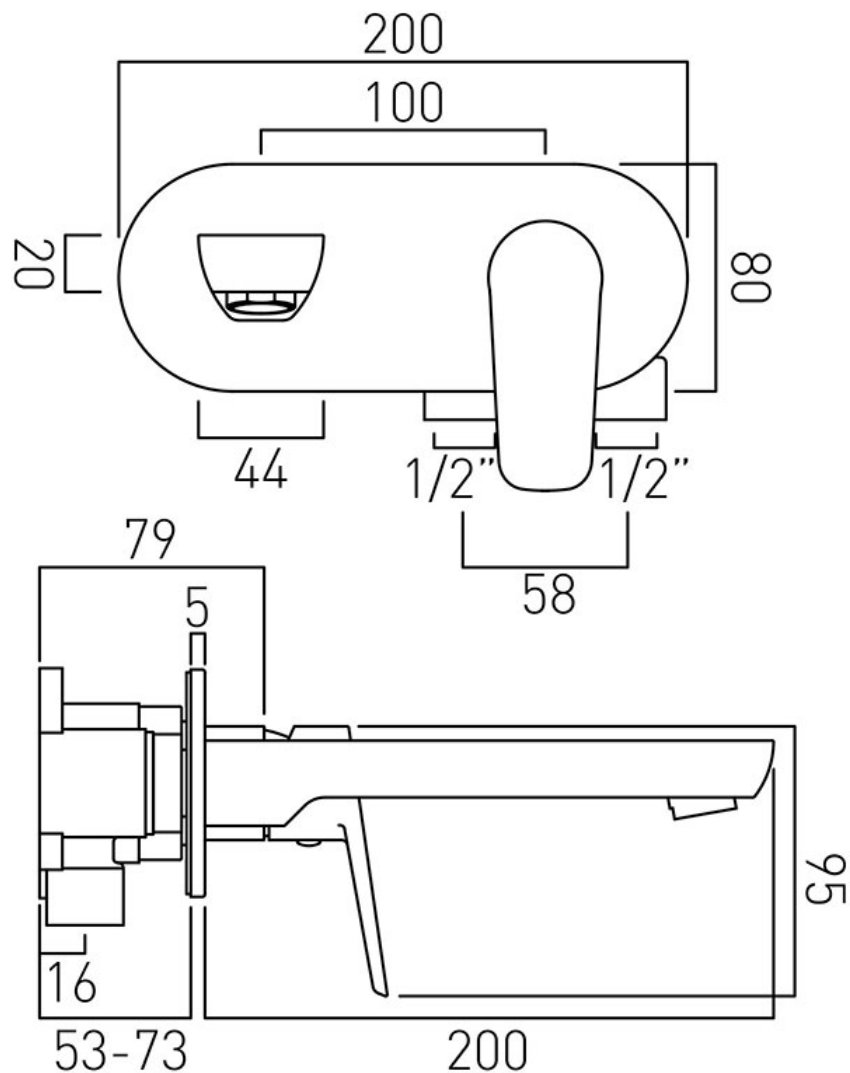
where inspiration flows
taps | showering | accessories



TECHNICAL DRAWING

COLLECTION: PHOTON

PRODUCT CODE: PHO-109FS/A-C/P



tel: 01934 744466
email: sales@vado.com
www.vado.com

where inspiration flows
taps | showering | accessories

