

# SPECIFICATION SHEET

**COLLECTION:** ORIGINS

**PRODUCT CODE:** IND-ORI147A-BLK



**DESCRIPTION:**

concealed shower valve with diverter  
single lever  
wall mounted  
ceramic cartridge CAR-K35A  
2 x 1/2" female inlets  
2 x 1/2" female outlets  
min-max wall mount 70-95mm  
optimum installation depth 83mm  
minimum operating pressure 0.2 bar LP shower / 1.5 bar MP bath

**FINISH:**

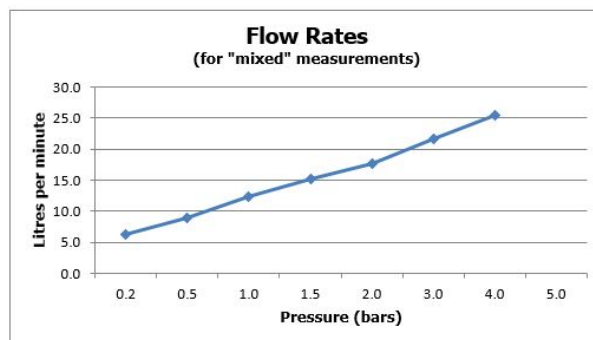
Brushed Black

**MINIMUM OPERATING PRESSURE:**

0.2 bar LP (shower) 1.5 bar MP (bath)

**FLOW RATE AT 3.0 BAR FLOW PRESSURE:**

22 l/min



tel: 01934 744466  
email: sales@vado.com  
www.vado.com

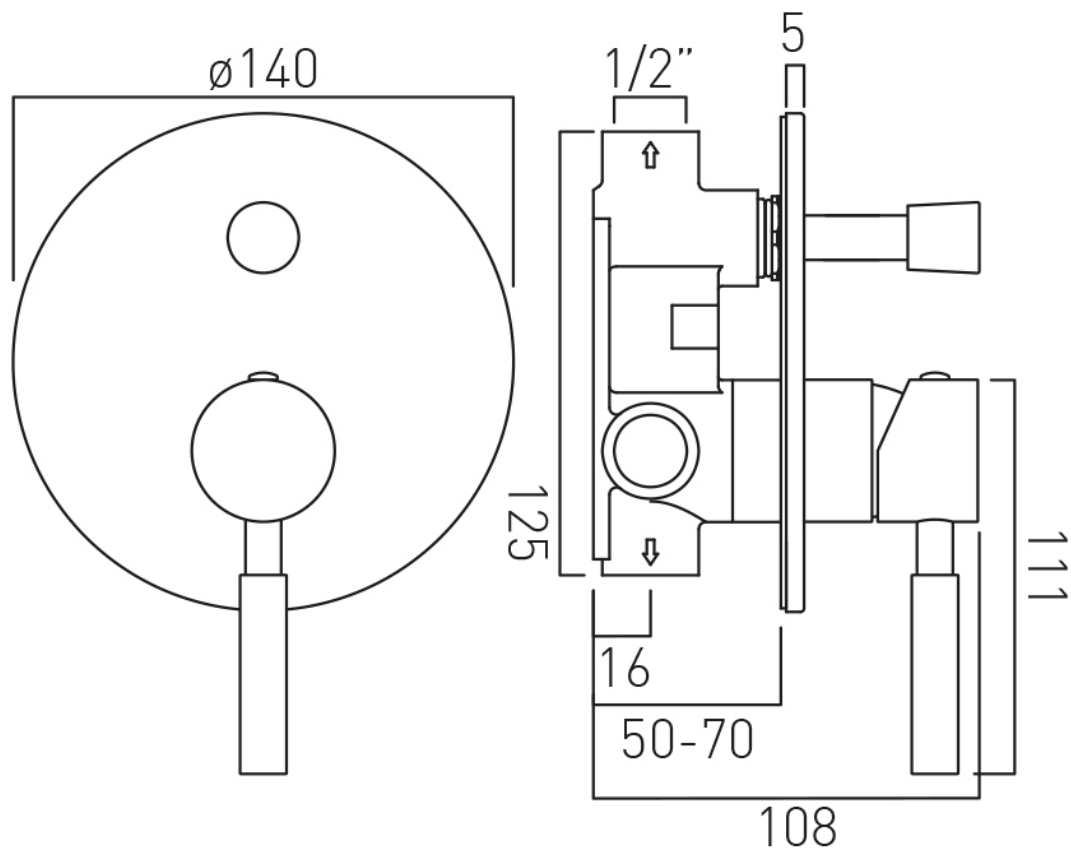
**where inspiration flows**  
taps | showering | accessories



# TECHNICAL DRAWING

**COLLECTION:** ORIGINS

**PRODUCT CODE:** IND-ORI147A-BLK



tel: 01934 744466  
email: sales@vado.com  
www.vado.com

**where inspiration flows**  
taps | showering | accessories



# SPECIFICATION SHEET

**COLLECTION:** INDIVIDUAL  
**PRODUCT CODE:** IND-RO/30-BLK



**DESCRIPTION:**

single function easy clean slim line round shower head  
300mm (12")  
minimum operating pressure 0.2 bar LP

**FINISH:**

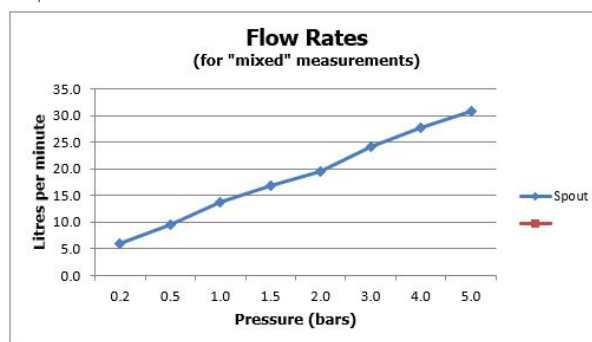
Brushed Black

**MINIMUM OPERATING PRESSURE:**

0.2 bar LP

**FLOW RATE AT 3.0 BAR FLOW PRESSURE:**

24 l/min



tel: 01934 744466  
email: sales@vado.com  
www.vado.com

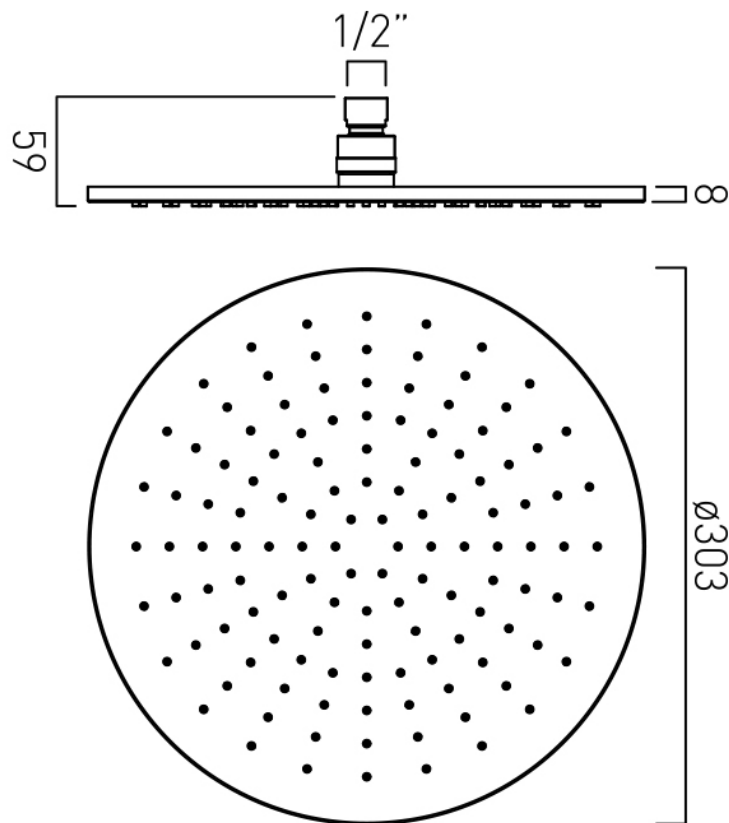
**where inspiration flows**  
taps | showering | accessories



# TECHNICAL DRAWING

**COLLECTION:** INDIVIDUAL

**PRODUCT CODE:** IND-RO/30-BLK



tel: 01934 744466  
email: [sales@vado.com](mailto:sales@vado.com)  
[www.vado.com](http://www.vado.com)

**where inspiration flows**  
taps | showering | accessories



---

# SPECIFICATION SHEET

**COLLECTION:** INDIVIDUAL

**PRODUCT CODE:** IND-EFSA/RO-BLK



**DESCRIPTION:**

shower arm round easy fit wall mounted

**FINISH:**

Brushed Black



tel: 01934 744466  
email: [sales@vado.com](mailto:sales@vado.com)  
[www.vado.com](http://www.vado.com)

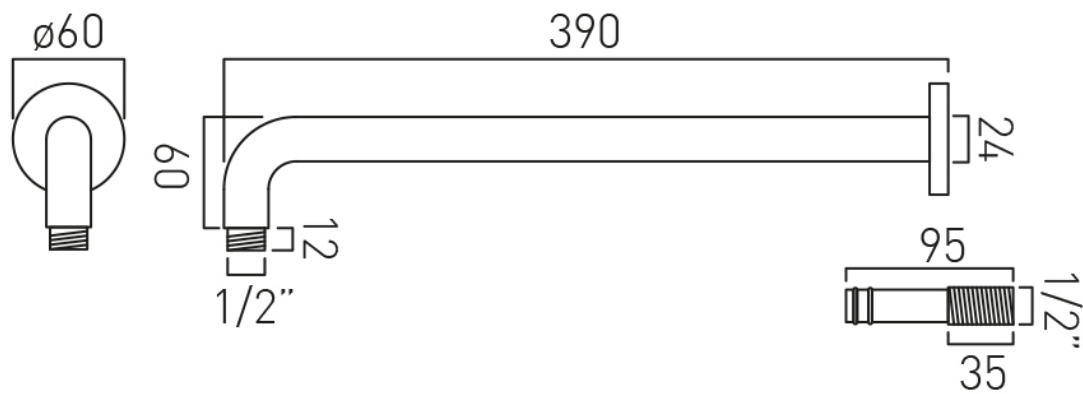
**where inspiration flows**  
taps | showering | accessories



# TECHNICAL DRAWING

**COLLECTION:** INDIVIDUAL

**PRODUCT CODE:** IND-EFSA/RO-BLK



tel: 01934 744466  
email: sales@vado.com  
www.vado.com

**where inspiration flows**  
taps | showering | accessories



# SPECIFICATION SHEET

**COLLECTION:** INDIVIDUAL

**PRODUCT CODE:** IND-SFSRK/RO-BLK



**DESCRIPTION:**

single-function slide rail shower kit with

- single function handset
- rub-clean
- 900mm slide rail
- 150cm shower hose
- wall mounted

minimum operating pressure 0.2 bar LP

**FINISH:**

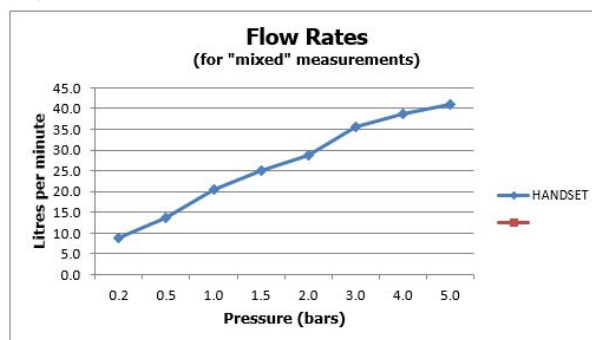
Brushed Black

**MINIMUM OPERATING PRESSURE:**

0.2 bar LP

**FLOW RATE AT 3.0 BAR FLOW PRESSURE:**

31 l/min



tel: 01934 744466  
email: sales@vado.com  
www.vado.com

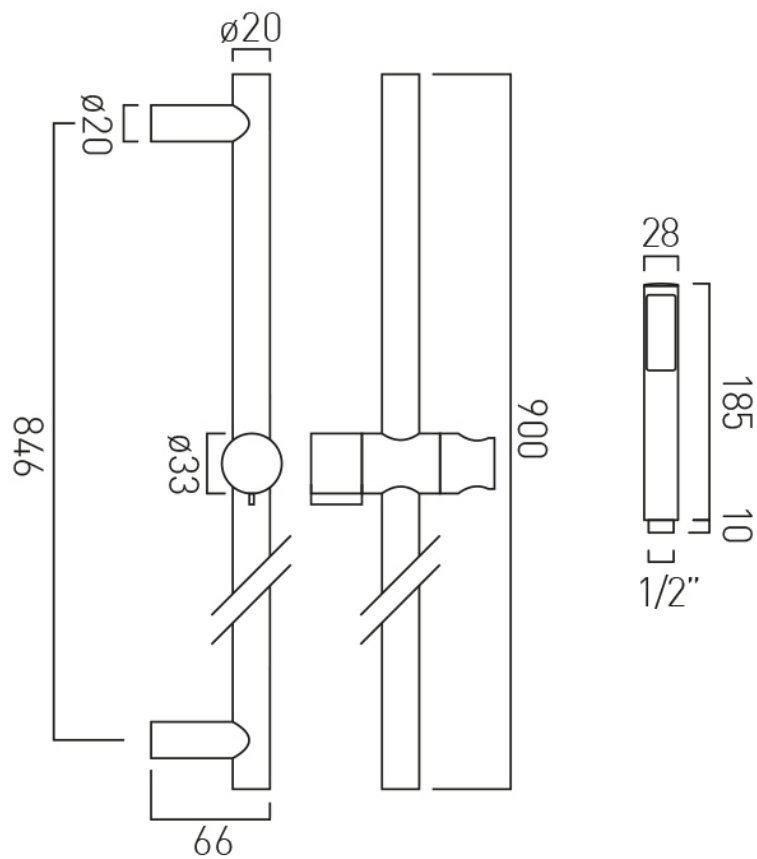
**where inspiration flows**  
taps | showering | accessories



# TECHNICAL DRAWING

**COLLECTION:** INDIVIDUAL

**PRODUCT CODE:** IND-SFSRK/RO-BLK



tel: 01934 744466  
email: sales@vado.com  
www.vado.com

**where inspiration flows**  
taps | showering | accessories





---

# SPECIFICATION SHEET

**COLLECTION:** INDIVIDUAL

**PRODUCT CODE:** IND-OUTLET/RO-BLK



**DESCRIPTION:**

round wall outlet

**FINISH:**

Brushed Black



tel: 01934 744466  
email: [sales@vado.com](mailto:sales@vado.com)  
[www.vado.com](http://www.vado.com)

**where inspiration flows**

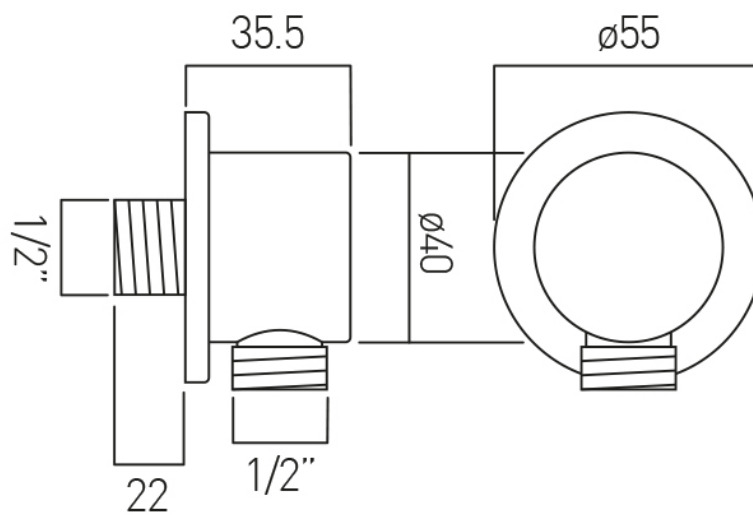
taps | showering | accessories



# TECHNICAL DRAWING

**COLLECTION:** INDIVIDUAL

**PRODUCT CODE:** IND-OUTLET/RO-BLK



tel: 01934 744466  
email: sales@vado.com  
www.vado.com

**where inspiration flows**  
taps | showering | accessories

