

SPECIFICATION SHEET

COLLECTION: EDIT

PRODUCT CODE: IND-EDI147A-BLK



DESCRIPTION:

concealed shower valve with diverter
single lever
wall mounted
ceramic cartridge CAR-K35A
2 x 1/2" female inlets
2 x 1/2" female outlets
min-max wall mount 50-70mm

FINISH:

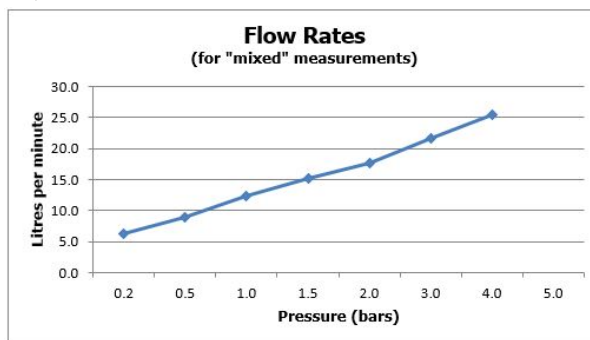
Brushed Black

MINIMUM OPERATING PRESSURE:

0.2 bar LP (shower) 1.5 bar MP (bath)

FLOW RATE AT 3.0 BAR FLOW PRESSURE:

22 l/min



tel: 01934 744466
email: sales@vado.com
www.vado.com

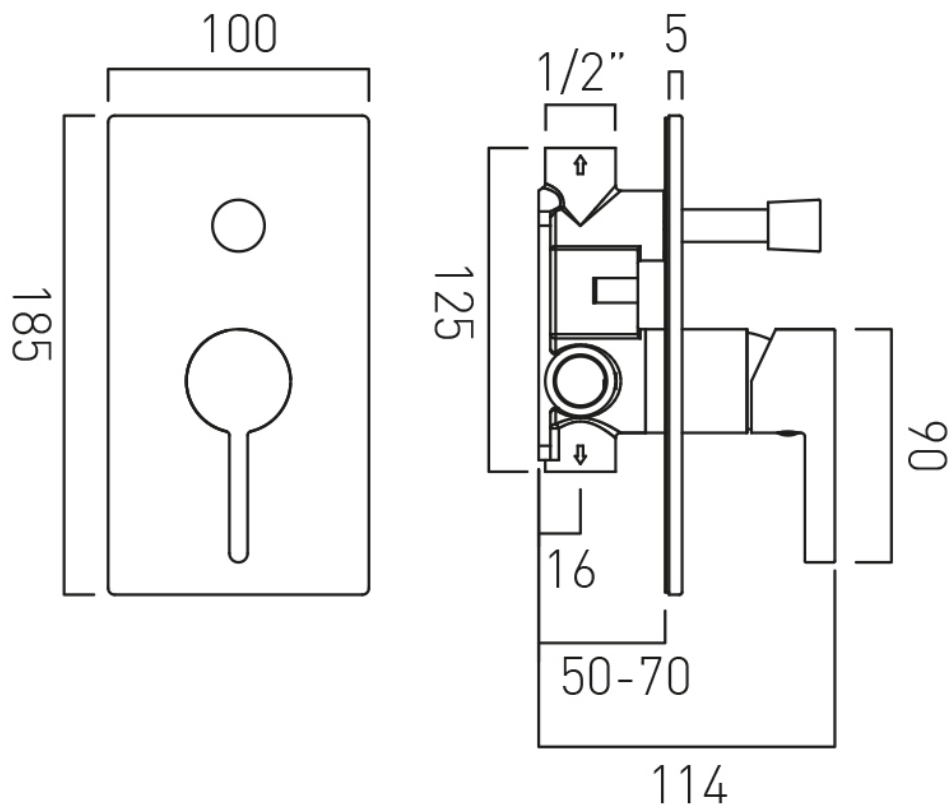
where inspiration flows
taps | showering | accessories



TECHNICAL DRAWING

COLLECTION: EDIT

PRODUCT CODE: IND-EDI147A-BLK



tel: 01934 744466
email: sales@vado.com
www.vado.com

where inspiration flows
taps | showering | accessories



SPECIFICATION SHEET

COLLECTION: INDIVIDUAL

PRODUCT CODE: IND-RO/30-BLK



DESCRIPTION:

single function easy clean slim line round shower head
300mm (12")

minimum operating pressure 0.2 bar LP

FINISH:

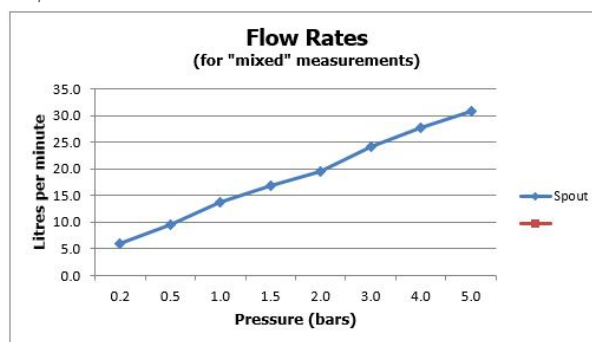
Brushed Black

MINIMUM OPERATING PRESSURE:

0.2 bar LP

FLOW RATE AT 3.0 BAR FLOW PRESSURE:

24 l/min



tel: 01934 744466
email: sales@vado.com
www.vado.com

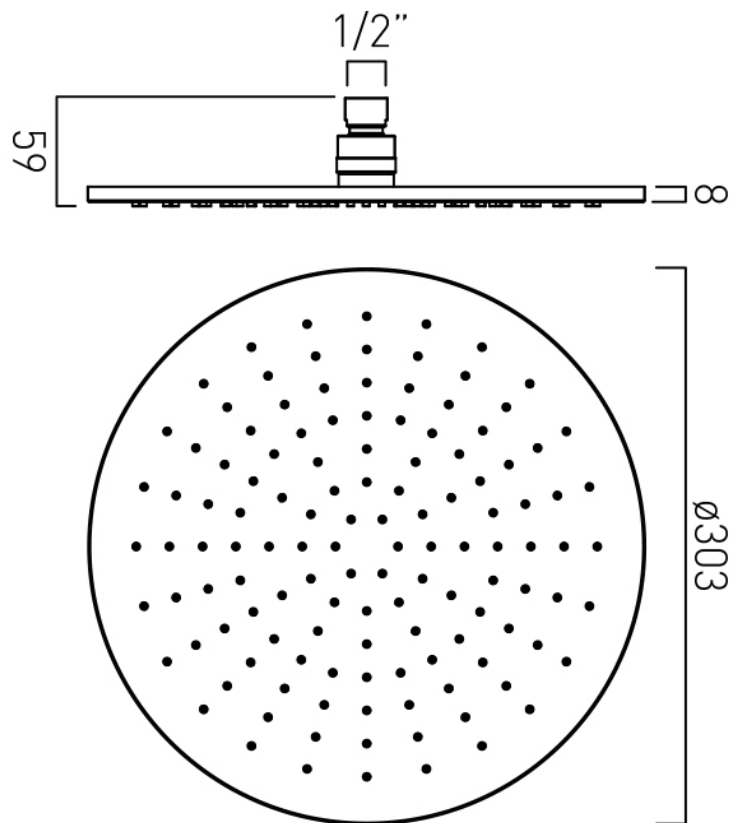
where inspiration flows
taps | showering | accessories



TECHNICAL DRAWING

COLLECTION: INDIVIDUAL

PRODUCT CODE: IND-RO/30-BLK



tel: 01934 744466
email: sales@vado.com
www.vado.com

where inspiration flows
taps | showering | accessories



SPECIFICATION SHEET

COLLECTION: INDIVIDUAL

PRODUCT CODE: IND-EFSA/RO-BLK



DESCRIPTION:

shower arm round easy fit wall mounted

FINISH:

Brushed Black



tel: 01934 744466
email: sales@vado.com
www.vado.com

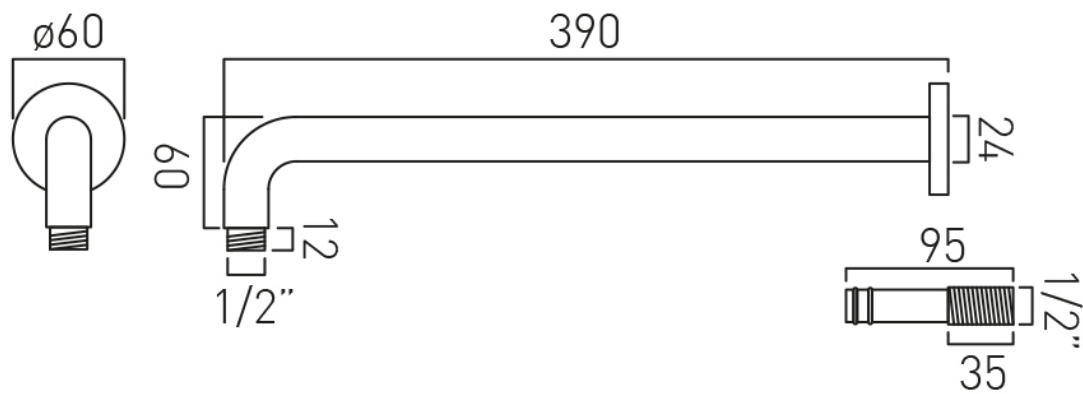
where inspiration flows
taps | showering | accessories



TECHNICAL DRAWING

COLLECTION: INDIVIDUAL

PRODUCT CODE: IND-EFSA/RO-BLK



tel: 01934 744466
email: sales@vado.com
www.vado.com

where inspiration flows
taps | showering | accessories



SPECIFICATION SHEET

COLLECTION: INDIVIDUAL

PRODUCT CODE: IND-SFMKWO/RO-BLK



DESCRIPTION:

single function mini shower kit
wall mounted
with hose and bracket with integral outlet
1/2" inlet
minimum operating pressure 0.2 bar LP

FINISH:

Brushed Black

FLOW REGULATOR:

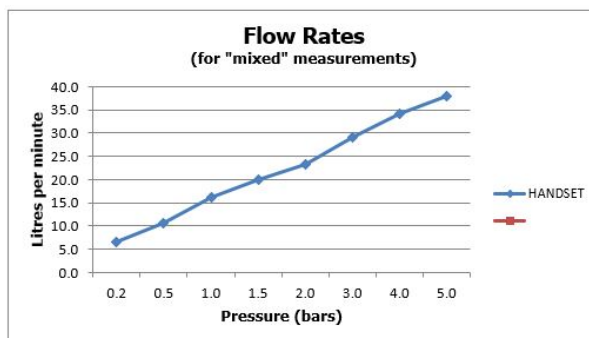
FR-SHOWER/9-C/P

MINIMUM OPERATING PRESSURE:

0.2 bar LP

FLOW RATE AT 3.0 BAR FLOW PRESSURE:

29 l/min



tel: 01934 744466
email: sales@vado.com
www.vado.com

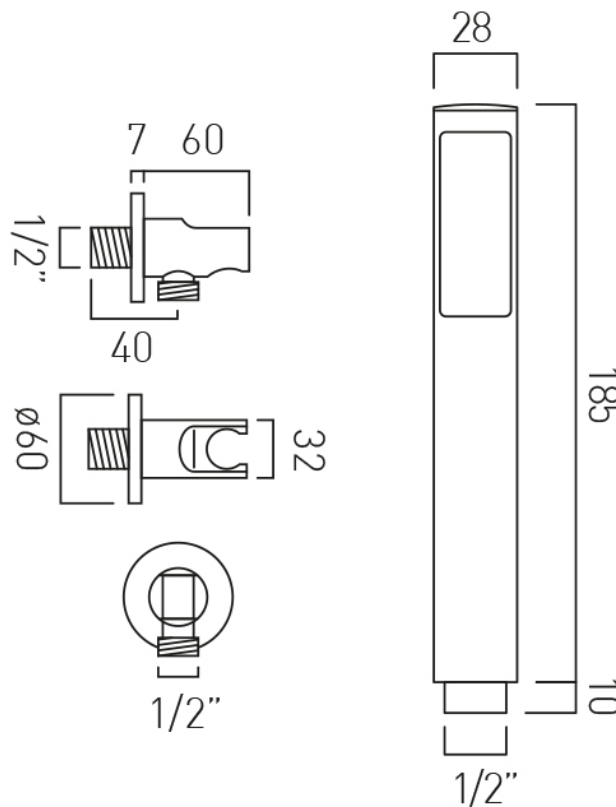
where inspiration flows
taps | showering | accessories



TECHNICAL DRAWING

COLLECTION: INDIVIDUAL

PRODUCT CODE: IND-SFMKWO/RO-BLK



tel: 01934 744466
email: sales@vado.com
www.vado.com

where inspiration flows
taps | showering | accessories

