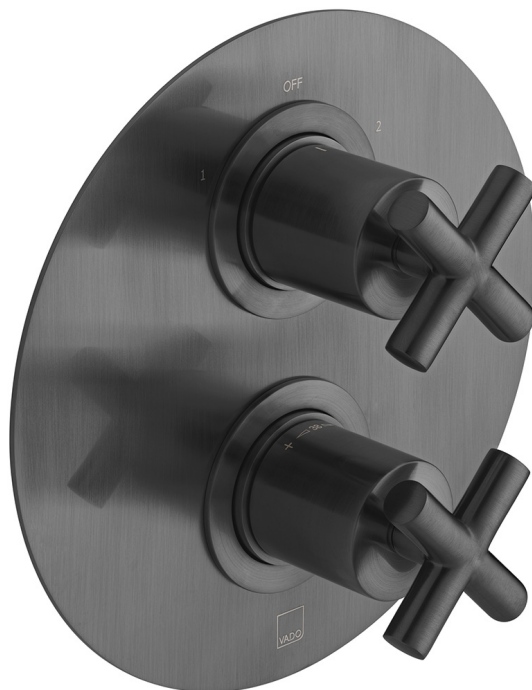


SPECIFICATION SHEET

COLLECTION: ELEMENTS

PRODUCT CODE: IND-ELE148D/2-BLK



DESCRIPTION:

DX Elements
concealed 2 outlet, 2 handle thermostatic shower valve with integrated diverter
wall mounted
with circular backplate
thermostatic cartridge V-001C-PLA
diverter cartridge FL-804-33X/3X
2 x 3/4" female inlets
2 x 3/4" female outlets
includes 3/4" - 1/2" adaptors
inc. bleed valve for system flush on installation
min-max wall mount 70-95mm
optimum installation depth 82mm
minimum operating pressure 0.2 bar LP (shower)
minimum operating pressure 1.0 bar MP (bath)

FINISH:

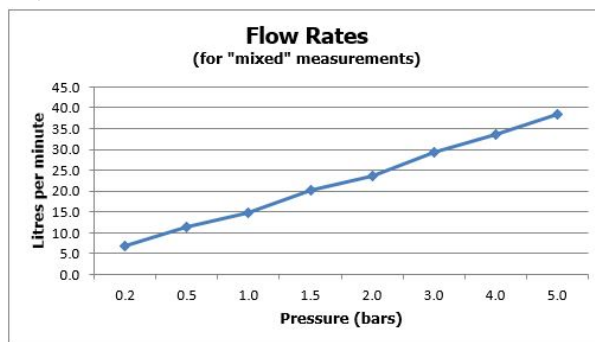
Brushed Black

MINIMUM OPERATING PRESSURE:

0.2 bar LP (shower) 1.0 bar MP (bath)

FLOW RATE AT 3.0 BAR FLOW PRESSURE:

30 l/min



15 year guarantee

tel: 01934 744466
email: sales@vado.com
www.vado.com

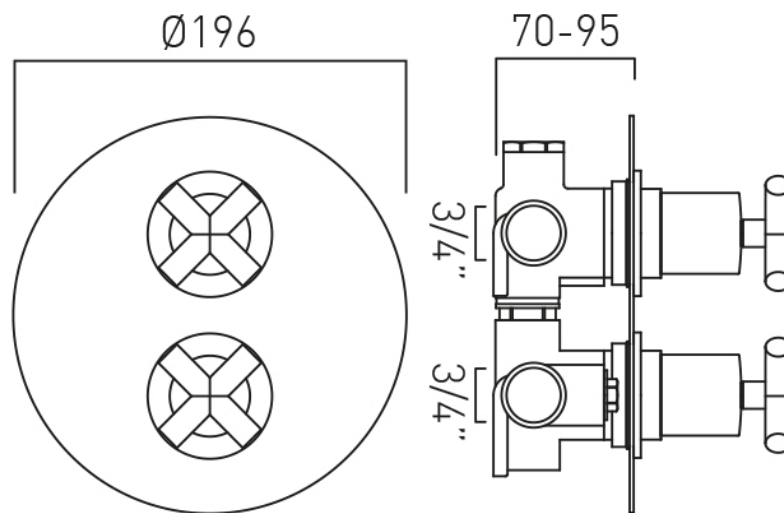
where inspiration flows
taps | showering | accessories



TECHNICAL DRAWING

COLLECTION: ELEMENTS

PRODUCT CODE: IND-ELE148D/2-BLK



tel: 01934 744466
email: sales@vado.com
www.vado.com

where inspiration flows
taps | showering | accessories



SPECIFICATION SHEET

COLLECTION: INDIVIDUAL

PRODUCT CODE: IND-RO/30-BLK



DESCRIPTION:

single function easy clean slim line round shower head
300mm (12")

minimum operating pressure 0.2 bar LP

FINISH:

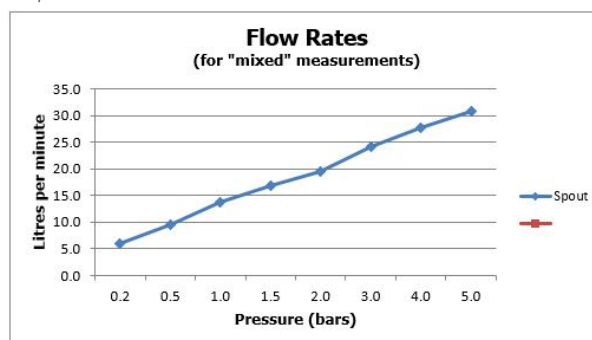
Brushed Black

MINIMUM OPERATING PRESSURE:

0.2 bar LP

FLOW RATE AT 3.0 BAR FLOW PRESSURE:

24 l/min



tel: 01934 744466
email: sales@vado.com
www.vado.com

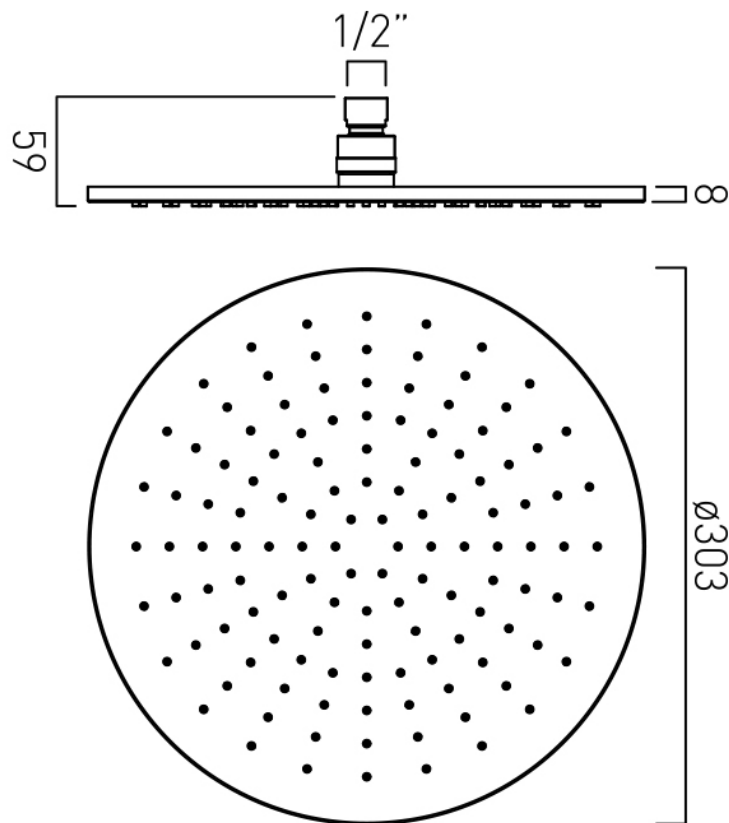
where inspiration flows
taps | showering | accessories



TECHNICAL DRAWING

COLLECTION: INDIVIDUAL

PRODUCT CODE: IND-RO/30-BLK



tel: 01934 744466
email: sales@vado.com
www.vado.com

where inspiration flows
taps | showering | accessories



SPECIFICATION SHEET

COLLECTION: INDIVIDUAL

PRODUCT CODE: IND-EFSA/RO-BLK



DESCRIPTION:

shower arm round easy fit wall mounted

FINISH:

Brushed Black



tel: 01934 744466
email: sales@vado.com
www.vado.com

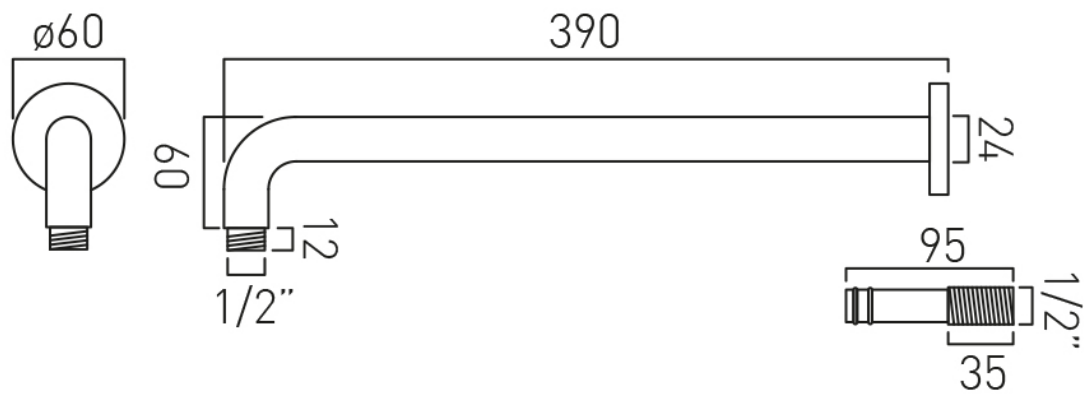
where inspiration flows
taps | showering | accessories



TECHNICAL DRAWING

COLLECTION: INDIVIDUAL

PRODUCT CODE: IND-EFSA/RO-BLK



tel: 01934 744466
email: sales@vado.com
www.vado.com

where inspiration flows
taps | showering | accessories



SPECIFICATION SHEET

COLLECTION: INDIVIDUAL

PRODUCT CODE: IND-SFSRK/RO-BLK



DESCRIPTION:

single-function slide rail shower kit with

- single function handset
- rub-clean
- 900mm slide rail
- 150cm shower hose
- wall mounted

minimum operating pressure 0.2 bar LP

FINISH:

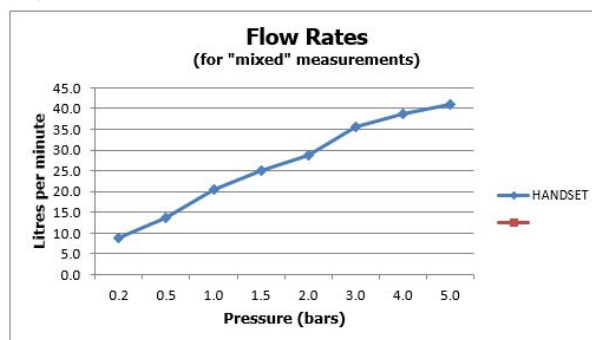
Brushed Black

MINIMUM OPERATING PRESSURE:

0.2 bar LP

FLOW RATE AT 3.0 BAR FLOW PRESSURE:

31 l/min



tel: 01934 744466
email: sales@vado.com
www.vado.com

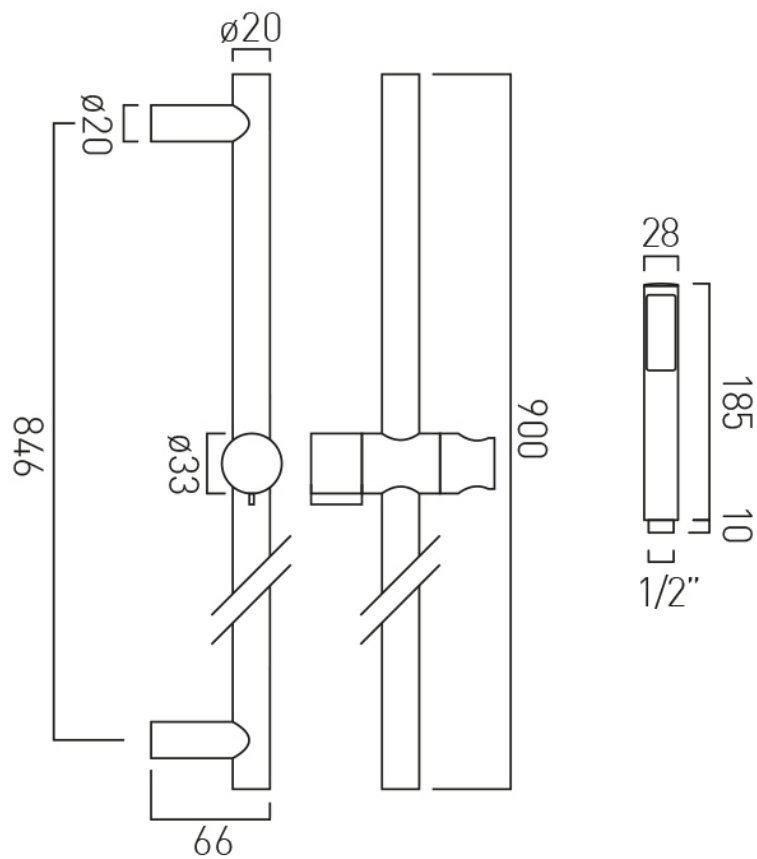
where inspiration flows
taps | showering | accessories



TECHNICAL DRAWING

COLLECTION: INDIVIDUAL

PRODUCT CODE: IND-SFSRK/RO-BLK



tel: 01934 744466
email: sales@vado.com
www.vado.com

where inspiration flows
taps | showering | accessories



SPECIFICATION SHEET

COLLECTION: INDIVIDUAL

PRODUCT CODE: IND-OUTLET/RO-BLK



DESCRIPTION:
round wall outlet

FINISH:
Brushed Black



tel: 01934 744466
email: sales@vado.com
www.vado.com

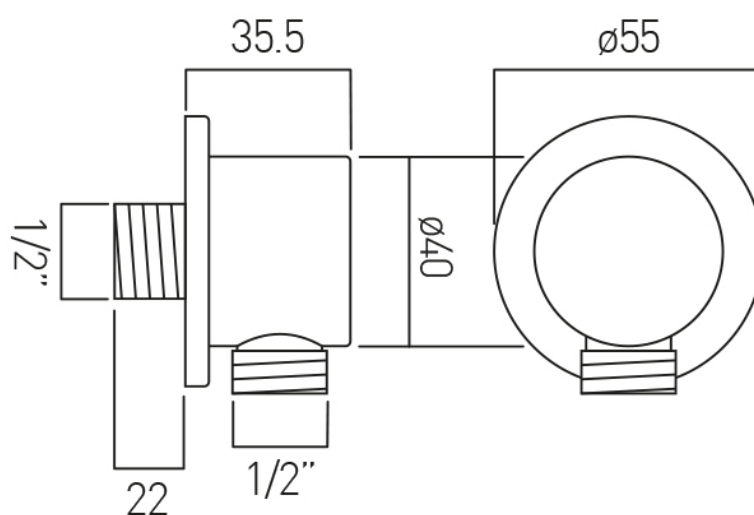
where inspiration flows
taps | showering | accessories



TECHNICAL DRAWING

COLLECTION: INDIVIDUAL

PRODUCT CODE: IND-OUTLET/RO-BLK



tel: 01934 744466
email: sales@vado.com
www.vado.com

where inspiration flows
taps | showering | accessories

