

SPECIFICATION SHEET

COLLECTION: ROWE
PRODUCT CODE: AX-ROW-100-CP



DESCRIPTION:

mono basin mixer
single lever
deck mounted
with pop-up waste
with Neoperl water flow aerator
ceramic cartridge W-001-N35
2 x 1/2" nut x 400mm fl exipipe connections
deck mount drill hole diameter 35mm
minimum operating pressure 0.2 bar LP

FINISH:

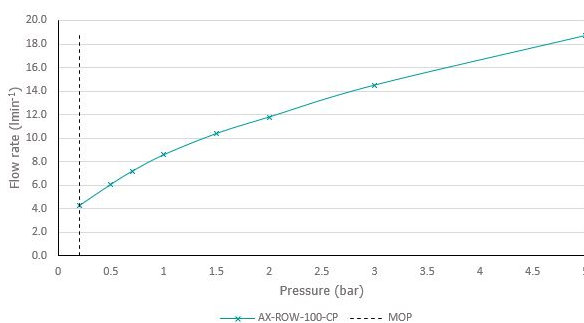
Chrome

MINIMUM OPERATING PRESSURE:

0.2 bar LP

FLOW RATE AT 3.0 BAR FLOW PRESSURE:

14.5 l/m



CONTACT

SALES: 01934 744466

AFTERSALES: 01934 745163

EMAIL: SALES@VADO.COM

WWW.VADO.COM/AXCES

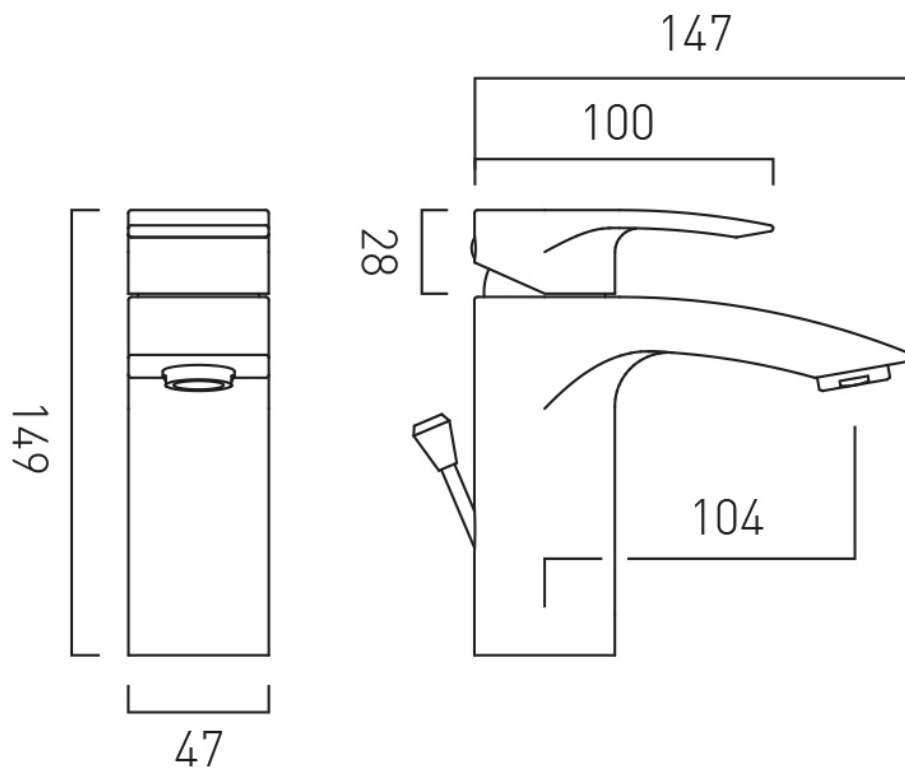
AXCES
by VADO

.....

TECHNICAL DRAWING

COLLECTION: ROWE

PRODUCT CODE: AX-ROW-100-CP



CONTACT

SALES: 01934 744466

AFTERSALES: 01934 745163

EMAIL: SALES@VADO.COM

WWW.VADO.COM/AXCES

AXCES
by VADO