

.....

SPECIFICATION SHEET

COLLECTION: ROWE
PRODUCT CODE: AX-ROW-123-CP



DESCRIPTION:

exposed bath shower mixer
single lever
wall mounted
with Neoperl coin slot laminar aerator
ceramic cartridge W-001-N35
1/2" x 3/4" x 50mm eccentric
threaded connections
minimum operating pressure 1.0 bar
MP

FINISH:

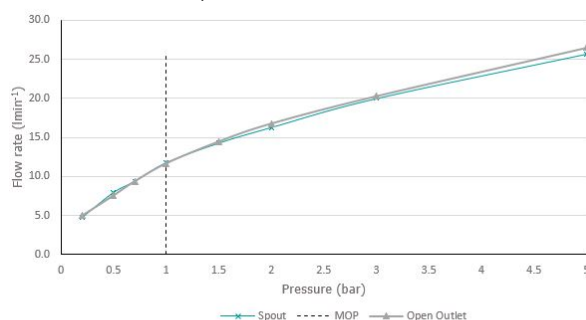
Chrome

MINIMUM OPERATING PRESSURE:

1.0 bar MP

FLOW RATE AT 3.0 BAR FLOW PRESSURE:

Bath: 20 l/m, Open Outlet: 20.3 l/m



CONTACT

SALES: 01934 744466

AFTERSALES: 01934 745163

EMAIL: SALES@VADO.COM

WWW.VADO.COM/AXCES

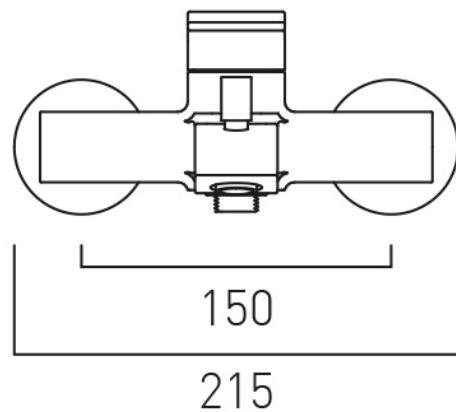
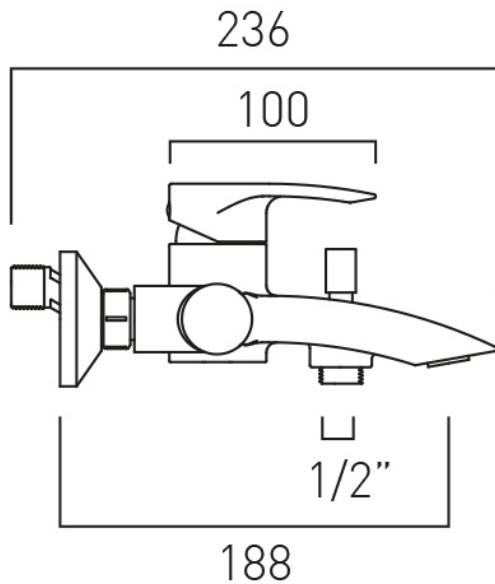
AXCES
by VADO

.....

TECHNICAL DRAWING

COLLECTION: ROWE

PRODUCT CODE: AX-ROW-123-CP



CONTACT

SALES: 01934 744466

AFTERSALES: 01934 745163

EMAIL: SALES@VADO.COM

WWW.VADO.COM/AXCES

AXCES
by VADO