

# SPECIFICATION SHEET

**COLLECTION:** TABLET

**PRODUCT CODE:** IND-T128/3-H-XBGK



## DESCRIPTION:

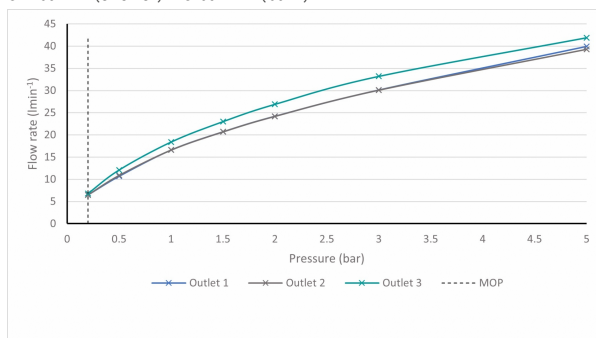
Knurled X Fusion Tablet  
3 outlet 3 handle  
horizontal concealed thermostatic shower valve  
with all-flow function  
thermostatic cartridge V-704-34S  
diverter cartridge FL-802-33/2MX  
flow cartridge TAB-002A-3/4  
2 x 3/4" female inlets  
2 x 3/4" female outlets  
includes 3/4" - 1/2" adaptors  
tile-to mortar guard included  
min-max wall mount 75-100mm  
optimum installation depth 87mm  
minimum operating pressure  
0.2 bar LP (shower) 1.0 bar MP (bath)

## FINISH:

Brushed Black X Gold

## MINIMUM OPERATING PRESSURE:

0.2 bar LP (shower) 1.0 bar MP (bath)



tel: 01934 744466  
email: sales@vado.com  
www.vado.com

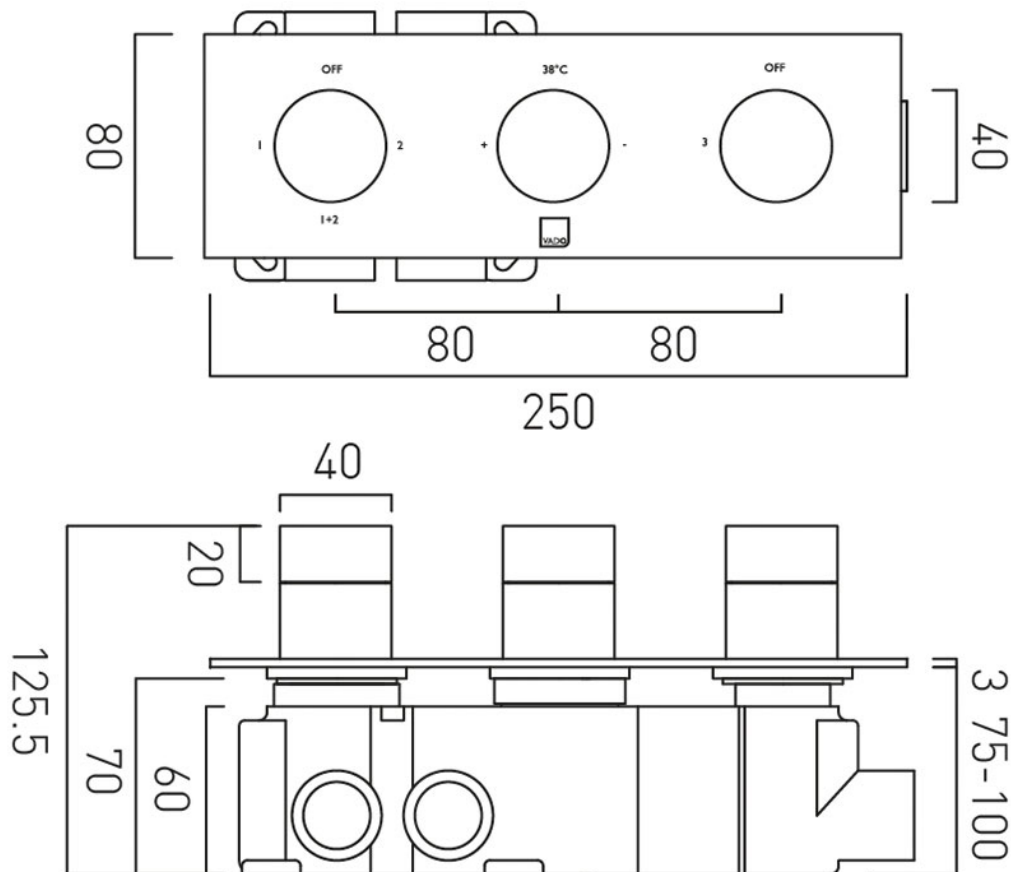
**where inspiration flows**  
taps | showering | accessories



# TECHNICAL DRAWING

**COLLECTION:** TABLET

**PRODUCT CODE:** IND-T128/3-H-XBGK



tel: 01934 744466  
email: [sales@vado.com](mailto:sales@vado.com)  
[www.vado.com](http://www.vado.com)

**where inspiration flows**  
taps | showering | accessories

