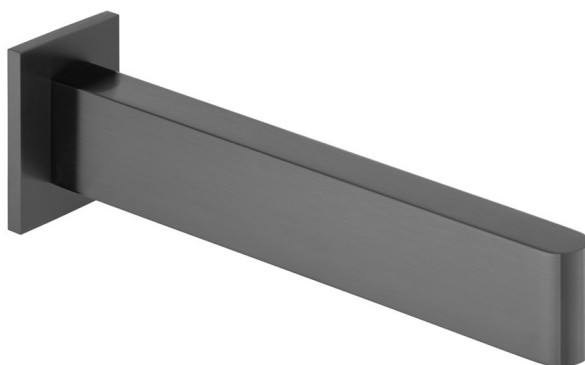


SPECIFICATION SHEET

COLLECTION: EDIT

PRODUCT CODE: IND-EDI140-BLK



DESCRIPTION:

bath spout
wall mounted
1/2" inlet
minimum operating pressure 1.0 bar MP

FINISH:

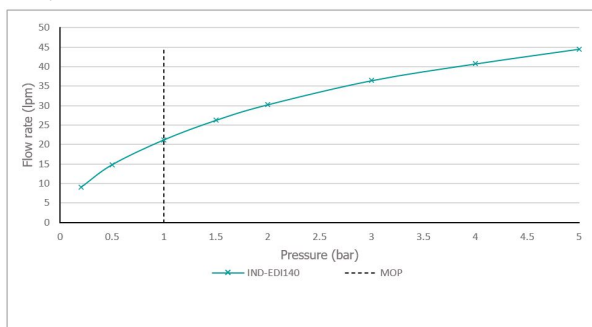
Brushed Black

MINIMUM OPERATING PRESSURE:

1.0 bar MP

FLOW RATE AT 3.0 BAR FLOW PRESSURE:

36.4 l/min



tel: 01934 744466
email: sales@vado.com
www.vado.com

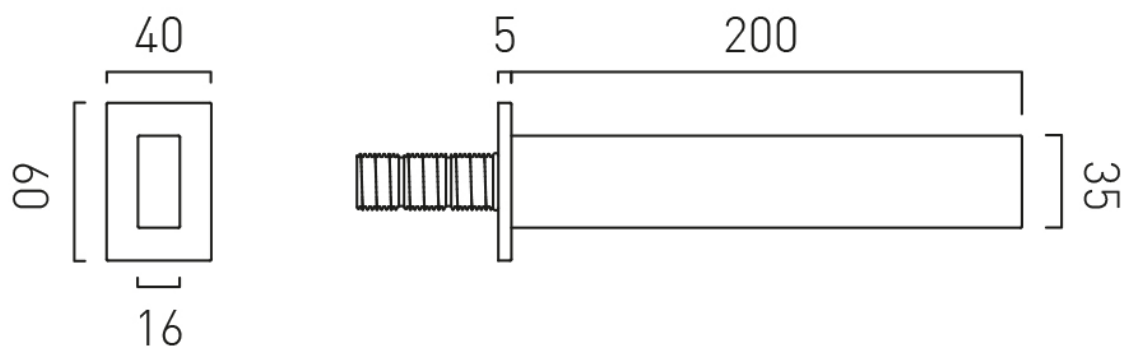
where inspiration flows
taps | showering | accessories



TECHNICAL DRAWING

COLLECTION: EDIT

PRODUCT CODE: IND-EDI140-BLK



tel: 01934 744466
email: sales@vado.com
www.vado.com

where inspiration flows
taps | showering | accessories

