

# SPECIFICATION SHEET

**COLLECTION:** NOTION

**PRODUCT CODE:** IND-NOT147A-BLK



**DESCRIPTION:**

concealed shower valve with diverter  
single lever  
wall mounted  
ceramic cartridge CAR-K35A  
2 x 1/2" female inlets  
2 x 1/2" female outlets  
min-max wall mount 50-70mm  
minimum operating pressure 0.2 bar LP shower / 1.5 bar MP bath

**FINISH:**

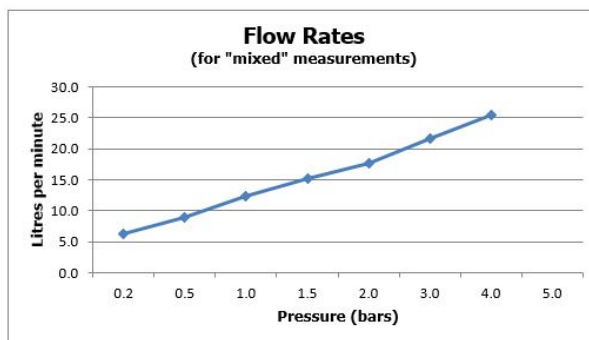
Brushed Black

**MINIMUM OPERATING PRESSURE:**

0.2 bar LP (shower) 1.5 bar MP (bath)

**FLOW RATE AT 3.0 BAR FLOW PRESSURE:**

22 l/min



tel: 01934 744466  
email: sales@vado.com  
www.vado.com

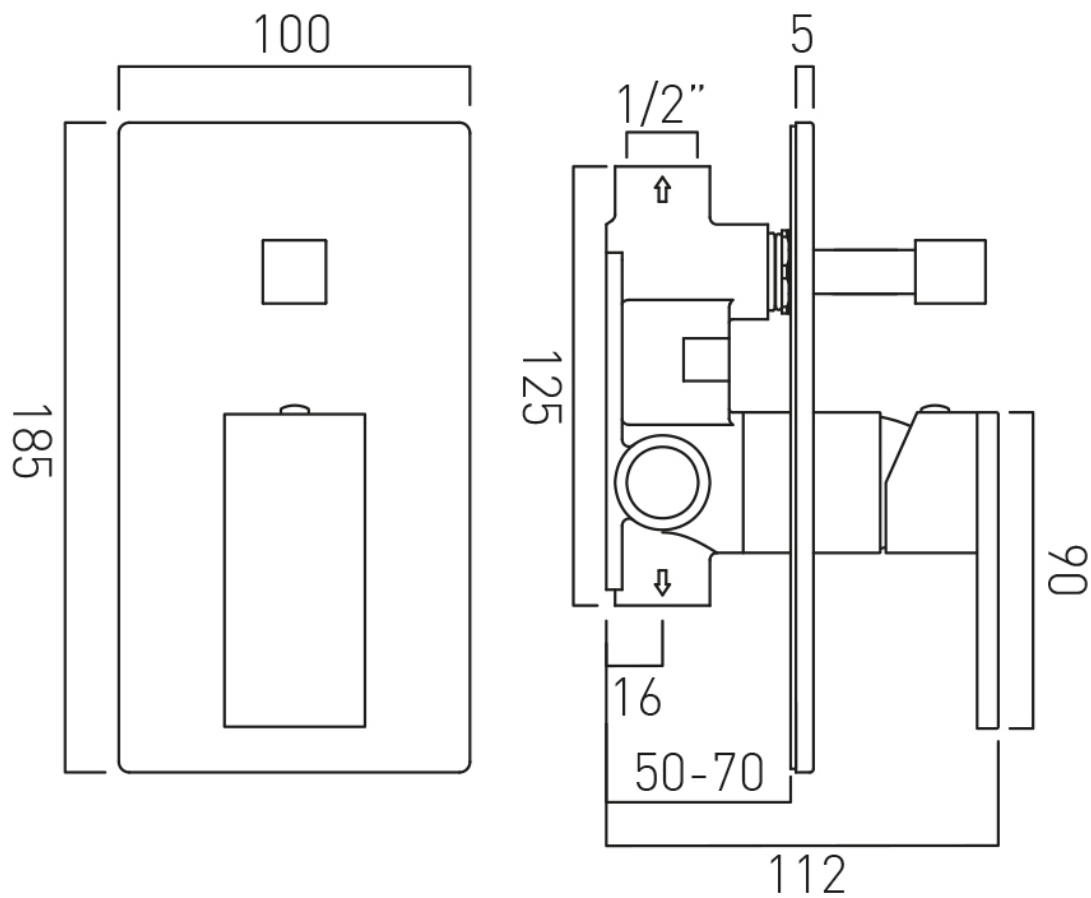
**where inspiration flows**  
taps | showering | accessories



# TECHNICAL DRAWING

**COLLECTION:** NOTION

**PRODUCT CODE:** IND-NOT147A-BLK



tel: 01934 744466  
email: sales@vado.com  
www.vado.com

**where inspiration flows**  
taps | showering | accessories



# SPECIFICATION SHEET

**COLLECTION:** INDIVIDUAL

**PRODUCT CODE:** IND-SFMKWO/SQ-BLK



**DESCRIPTION:**

single function mini shower kit  
wall mounted  
with hose and bracket with integral outlet  
1/2" inlet  
minimum operating pressure 1.0 bar MP

**FINISH:**

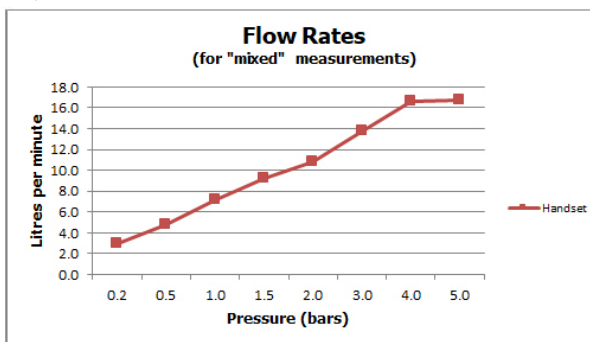
Brushed Black

**MINIMUM OPERATING PRESSURE:**

1.0 bar MP

**FLOW RATE AT 3.0 BAR FLOW PRESSURE:**

14 l/m



tel: 01934 744466  
email: sales@vado.com  
www.vado.com

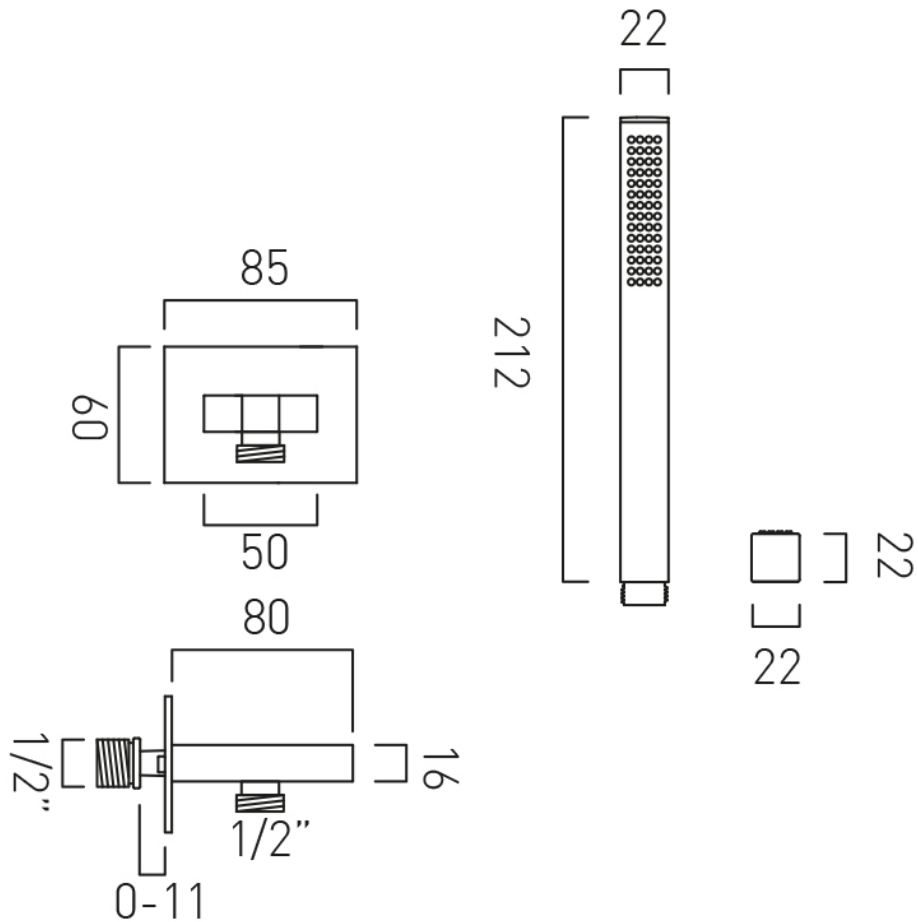
**where inspiration flows**  
taps | showering | accessories



# TECHNICAL DRAWING

**COLLECTION:** INDIVIDUAL

**PRODUCT CODE:** IND-SFMKW0/SQ-BLK



tel: 01934 744466  
email: sales@vado.com  
www.vado.com

**where inspiration flows**  
taps | showering | accessories



# SPECIFICATION SHEET

**COLLECTION:** INDIVIDUAL

**PRODUCT CODE:** IND-81389/RO-BLK



**DESCRIPTION:**

push type bath filler waste and overflow  
2 x 1/2" inlets  
1.1/2" x 10mm threaded outlet connection  
min-max overflow bath thickness 1mm-21mm  
minimum operating pressure 1.0 bar MP

**FINISH:**

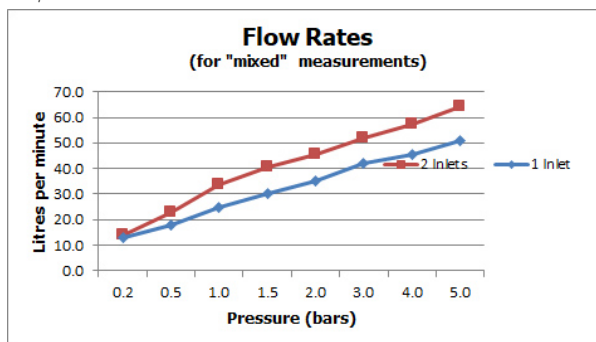
Brushed Black

**MINIMUM OPERATING PRESSURE:**

1.0 bar MP

**FLOW RATE AT 3.0 BAR FLOW PRESSURE:**

42 l/min



tel: 01934 744466  
email: sales@vado.com  
www.vado.com

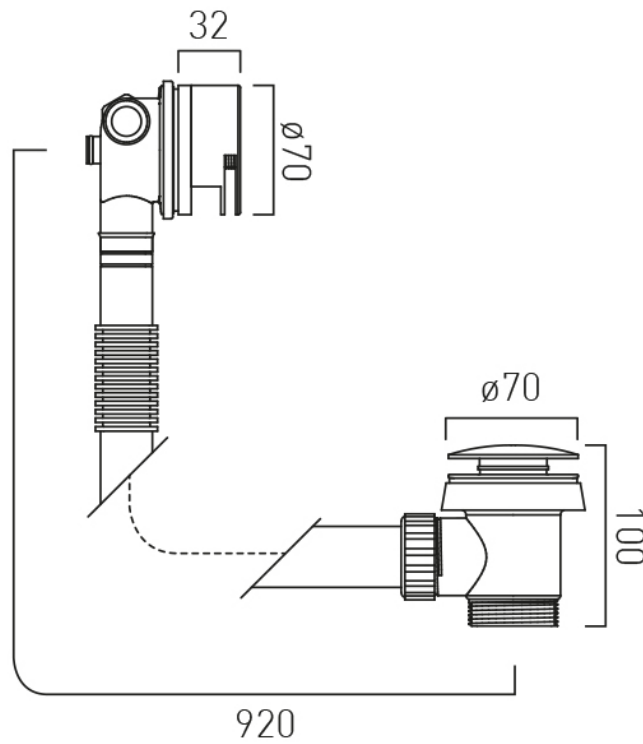
**where inspiration flows**  
taps | showering | accessories



# TECHNICAL DRAWING

**COLLECTION:** INDIVIDUAL

**PRODUCT CODE:** IND-81389/RO-BLK



tel: 01934 744466  
email: sales@vado.com  
www.vado.com

**where inspiration flows**  
taps | showering | accessories

