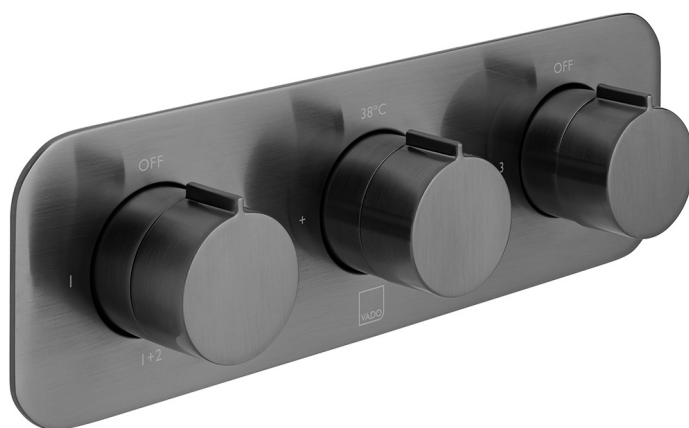


# SPECIFICATION SHEET

**COLLECTION:** ALTITUDE

**PRODUCT CODE:** IND-T128/3-H-ALT-BLK



## DESCRIPTION:

Tablet Altitude horizontal concealed 3 outlet 3 handle thermostatic shower valve with all-flow function wall mounted  
thermostatic cartridge V-001C-PLA  
diverter cartridge TAB-001G-DIV  
flow cartridge TAB-002A-3/4  
2 x 3/4" female inlets  
3 x 3/4" female outlets  
includes 3/4" - 1/2" adaptors  
supplied with mortar/tile guard  
min-max wall mount 75-100mm  
optimum installation depth 87mm  
minimum operating pressure 0.2 bar LP (shower) / 1.0 bar MP (bath)

## FINISH:

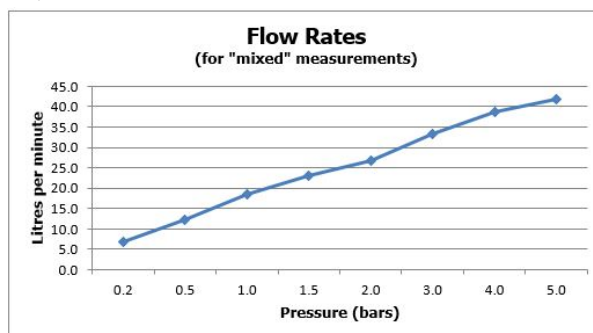
Brushed Black

## MINIMUM OPERATING PRESSURE:

0.2 bar LP (shower) 1.0 bar MP (bath)

## FLOW RATE AT 3.0 BAR FLOW PRESSURE:

33 l/min



15 year guarantee

tel: 01934 744466  
email: sales@vado.com  
www.vado.com

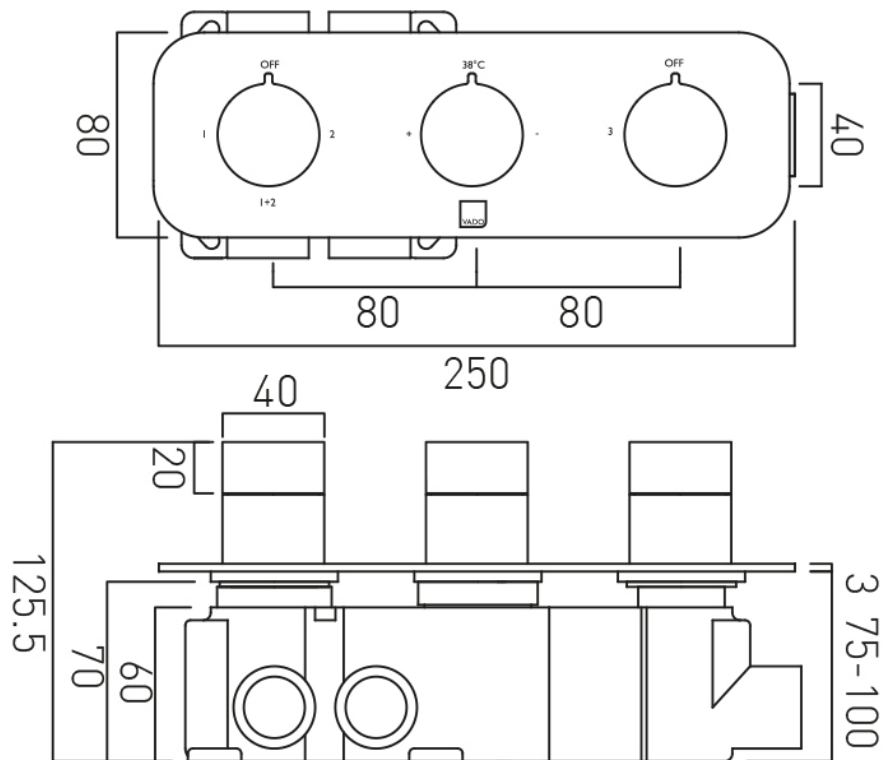
**where inspiration flows**  
taps | showering | accessories



# TECHNICAL DRAWING

**COLLECTION:** ALTITUDE

**PRODUCT CODE:** IND-T128/3-H-ALT-BLK



tel: 01934 744466  
email: [sales@vado.com](mailto:sales@vado.com)  
[www.vado.com](http://www.vado.com)

**where inspiration flows**  
taps | showering | accessories



# SPECIFICATION SHEET

**COLLECTION:**

**PRODUCT CODE:** IND-RO/30-BLK



**DESCRIPTION:**

single function easy clean slim line round shower head  
300mm (12")

minimum operating pressure 1.0 bar MP

**FINISH:**

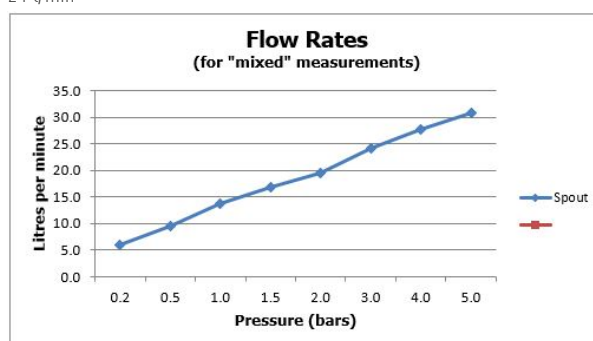
Brushed Black

**MINIMUM OPERATING PRESSURE:**

1.0 bar MP

**FLOW RATE AT 3.0 BAR FLOW PRESSURE:**

24 l/min



tel: 01934 744466  
email: [sales@vado.com](mailto:sales@vado.com)  
[www.vado.com](http://www.vado.com)

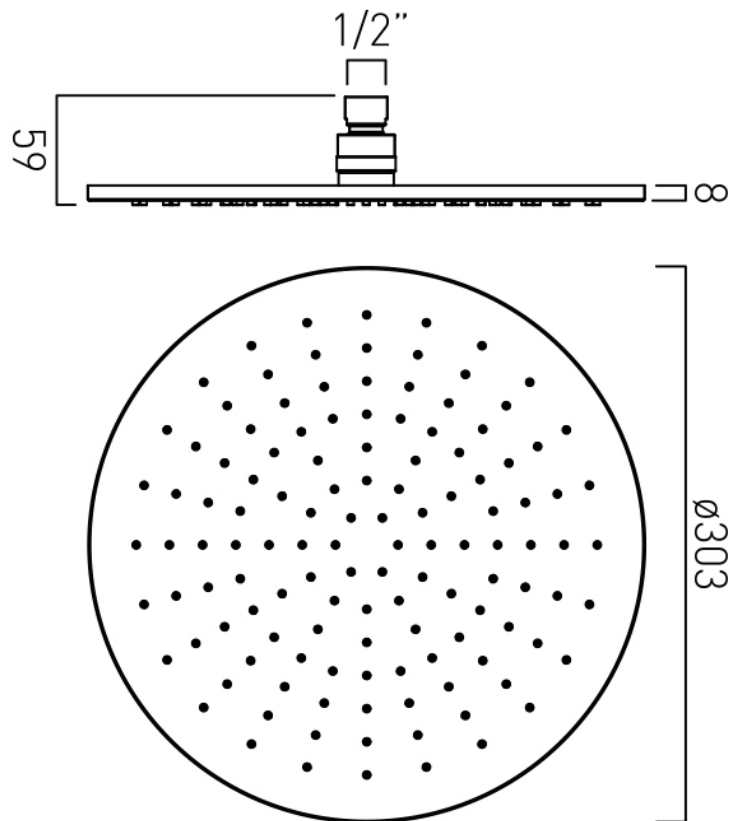
**where inspiration flows**  
taps | showering | accessories



# TECHNICAL DRAWING

**COLLECTION:**

**PRODUCT CODE:** IND-R0/30-BLK



tel: 01934 744466  
email: sales@vado.com  
www.vado.com

**where inspiration flows**  
taps | showering | accessories



---

# SPECIFICATION SHEET

**COLLECTION:**

**PRODUCT CODE:** IND-EFSA/RO-BLK



**DESCRIPTION:**

shower arm round easy fit wall mounted

**FINISH:**

Brushed Black



tel: 01934 744466  
email: [sales@vado.com](mailto:sales@vado.com)  
[www.vado.com](http://www.vado.com)

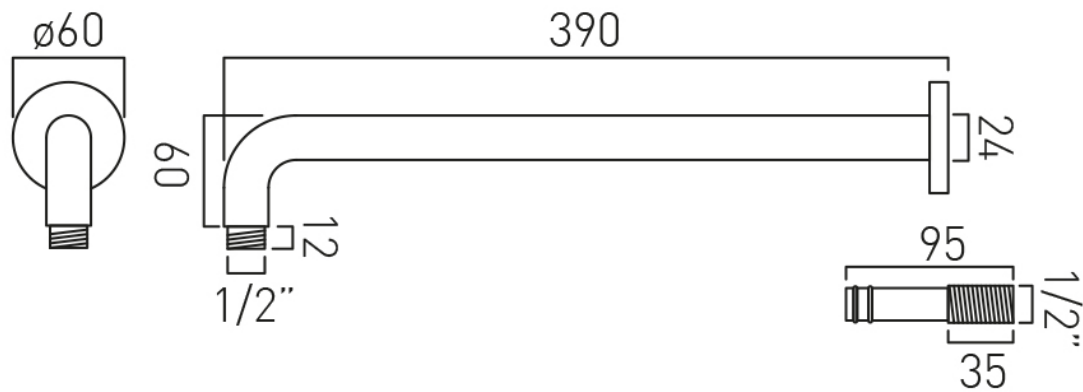
**where inspiration flows**  
taps | showering | accessories



# TECHNICAL DRAWING

COLLECTION:

PRODUCT CODE: IND-EFSA/RO-BLK



tel: 01934 744466  
email: sales@vado.com  
www.vado.com

**where inspiration flows**  
taps | showering | accessories



# SPECIFICATION SHEET

## COLLECTION:

**PRODUCT CODE:** IND-SFSRK/RO-BLK



## DESCRIPTION:

single-function slide rail shower kit with

- single function handset
- rub-clean
- 900mm slide rail
- 150cm shower hose
- wall mounted

minimum operating pressure 0.2 bar LP

## FINISH:

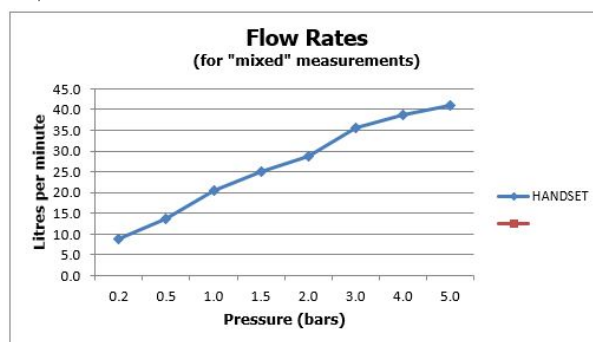
Brushed Black

## MINIMUM OPERATING PRESSURE:

0.2 bar LP

## FLOW RATE AT 3.0 BAR FLOW PRESSURE:

31 l/min



tel: 01934 744466  
email: [sales@vado.com](mailto:sales@vado.com)  
[www.vado.com](http://www.vado.com)

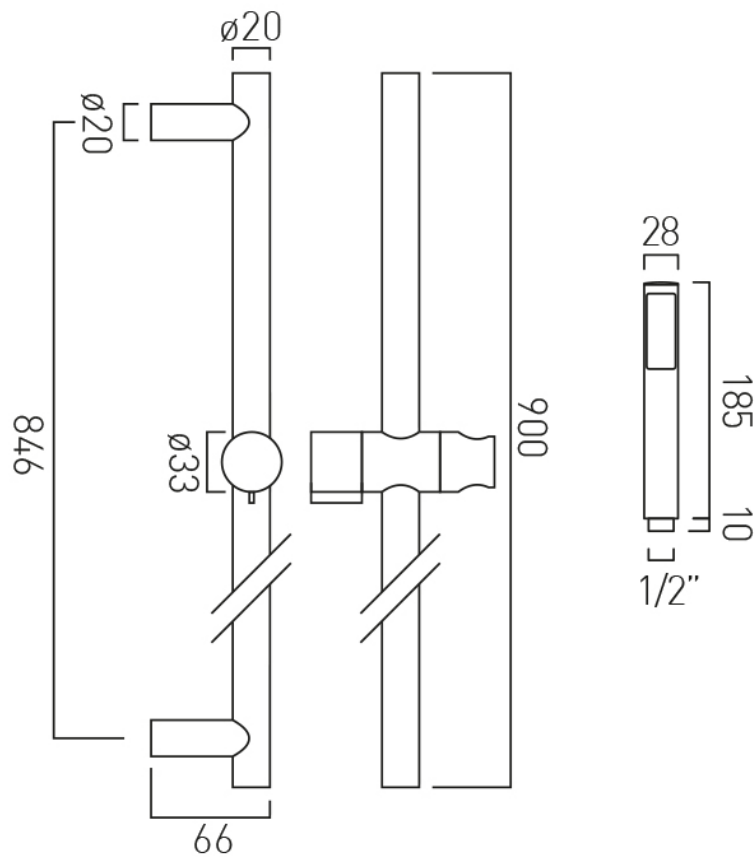
**where inspiration flows**  
taps | showering | accessories



# TECHNICAL DRAWING

**COLLECTION:**

**PRODUCT CODE:** IND-SFSRK/RO-BLK



tel: 01934 744466  
email: sales@vado.com  
www.vado.com

**where inspiration flows**  
taps | showering | accessories





# SPECIFICATION SHEET

**COLLECTION:**

**PRODUCT CODE:** IND-OUTLET/R02-BLK



**DESCRIPTION:**

round wall outlet

**FINISH:**

Brushed Black



tel: 01934 744466  
email: sales@vado.com  
www.vado.com

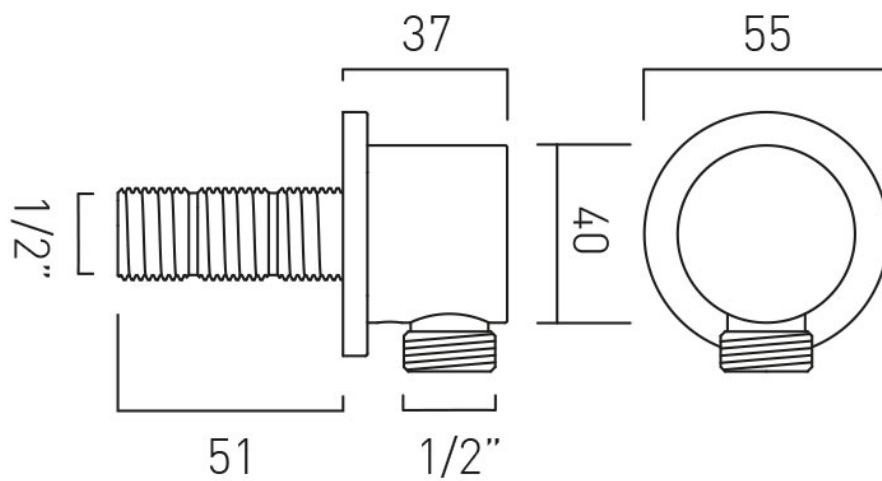
**where inspiration flows**  
taps | showering | accessories



# TECHNICAL DRAWING

**COLLECTION:**

**PRODUCT CODE:** IND-OUTLET/R02-BLK



tel: 01934 744466  
email: sales@vado.com  
www.vado.com

**where inspiration flows**  
taps | showering | accessories



# SPECIFICATION SHEET

## COLLECTION:

PRODUCT CODE: IND-81389/RO-BLK



## DESCRIPTION:

push type bath filler waste and overflow  
2 x 1/2" inlets  
1.1/2" x 10mm threaded outlet connection  
min-max overflow bath thickness 1mm-21mm  
minimum operating pressure 1.0 bar MP

## FINISH:

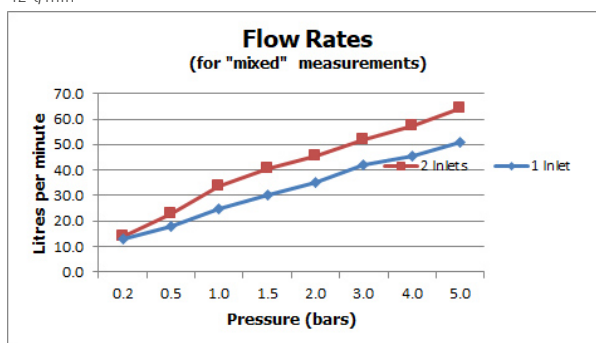
Brushed Black

## MINIMUM OPERATING PRESSURE:

1.0 bar MP

## FLOW RATE AT 3.0 BAR FLOW PRESSURE:

42 l/min



tel: 01934 744466  
email: sales@vado.com  
www.vado.com

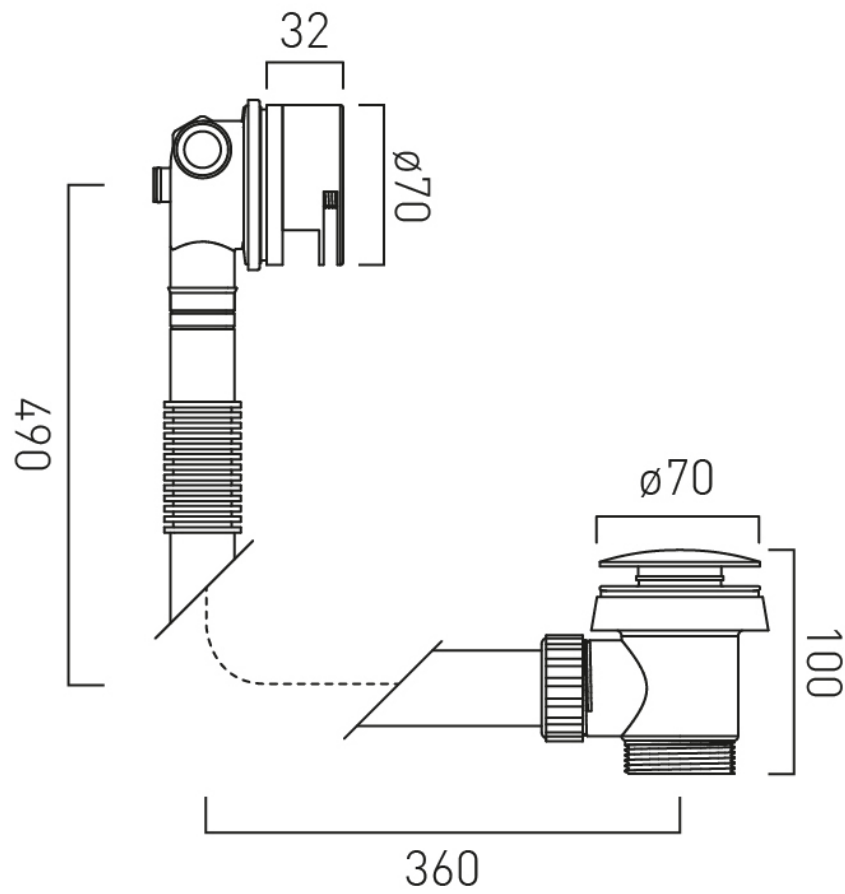
where inspiration flows  
taps | showering | accessories



# TECHNICAL DRAWING

COLLECTION:

PRODUCT CODE: IND-81389/RO-BLK



tel: 01934 744466  
email: sales@vado.com  
www.vado.com

**where inspiration flows**  
taps | showering | accessories

