

# SPECIFICATION SHEET

**COLLECTION:** KNURLED ACCENTS

**PRODUCT CODE:** IND-T148/2-BLKK



## DESCRIPTION:

knurled Accents Tablet  
2 outlet 2 handle  
vertical concealed thermostatic shower valve  
with all-flow function  
thermostatic cartridge V-704-34S  
diverter cartridge FL-802-33/2MX  
2 x 3/4" female inlets  
2 x 3/4" female outlets  
includes 3/4" - 1/2" adaptors  
tile-to mortar guard included  
min-max wall mount 75-100mm  
optimum installation depth 87mm  
minimum operating pressure  
0.2 bar LP (shower) 1.0 bar MP (bath)

## FINISH:

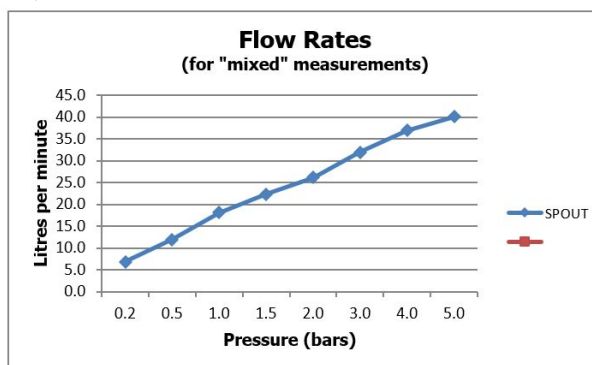
Brushed Black

## MINIMUM OPERATING PRESSURE:

0.2 bar LP (shower) 1.0 bar MP (bath)

## FLOW RATE AT 3.0 BAR FLOW PRESSURE:

32 l/min



15 year guarantee

tel: 01934 744466  
email: sales@vado.com  
www.vado.com

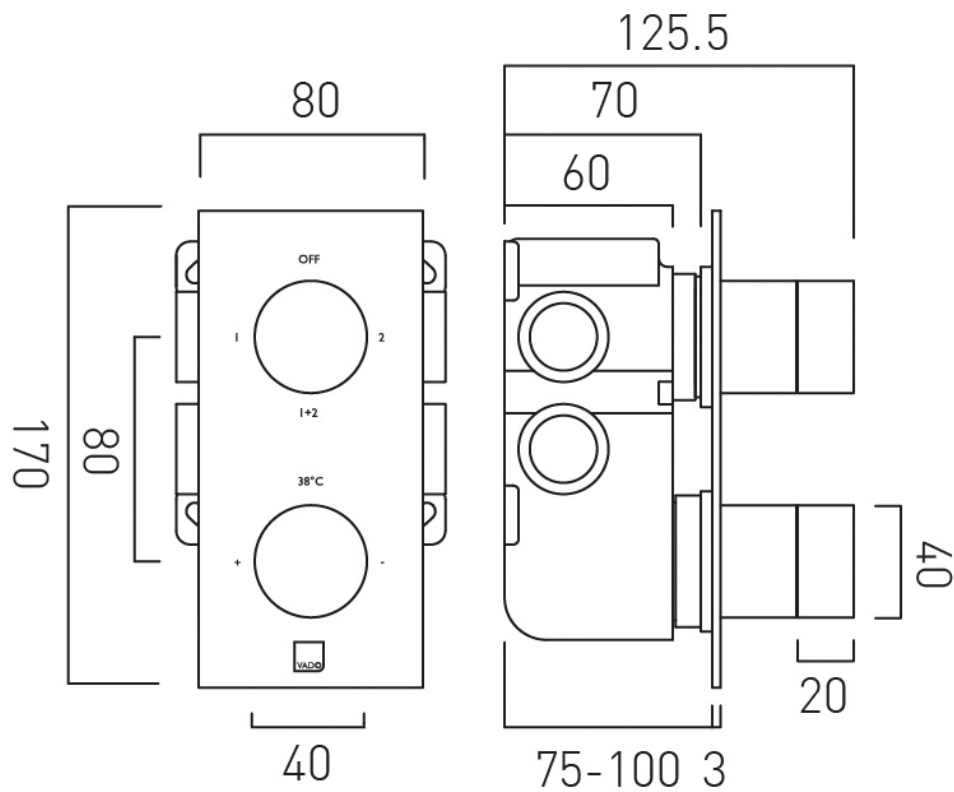
where inspiration flows  
taps | showering | accessories



# TECHNICAL DRAWING

**COLLECTION:** KNURLED ACCENTS

**PRODUCT CODE:** IND-T148/2-BLKK



tel: 01934 744466  
email: sales@vado.com  
www.vado.com

**where inspiration flows**  
taps | showering | accessories



# SPECIFICATION SHEET

**COLLECTION:**

**PRODUCT CODE:** IND-RO/30-BLK



**DESCRIPTION:**

single function easy clean slim line round shower head  
300mm (12")

minimum operating pressure 1.0 bar MP

**FINISH:**

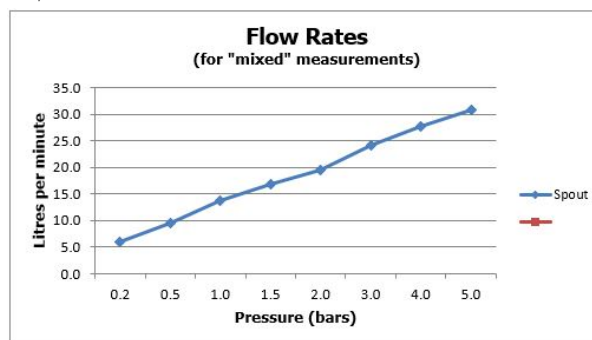
Brushed Black

**MINIMUM OPERATING PRESSURE:**

1.0 bar MP

**FLOW RATE AT 3.0 BAR FLOW PRESSURE:**

24 l/min



tel: 01934 744466  
email: [sales@vado.com](mailto:sales@vado.com)  
[www.vado.com](http://www.vado.com)

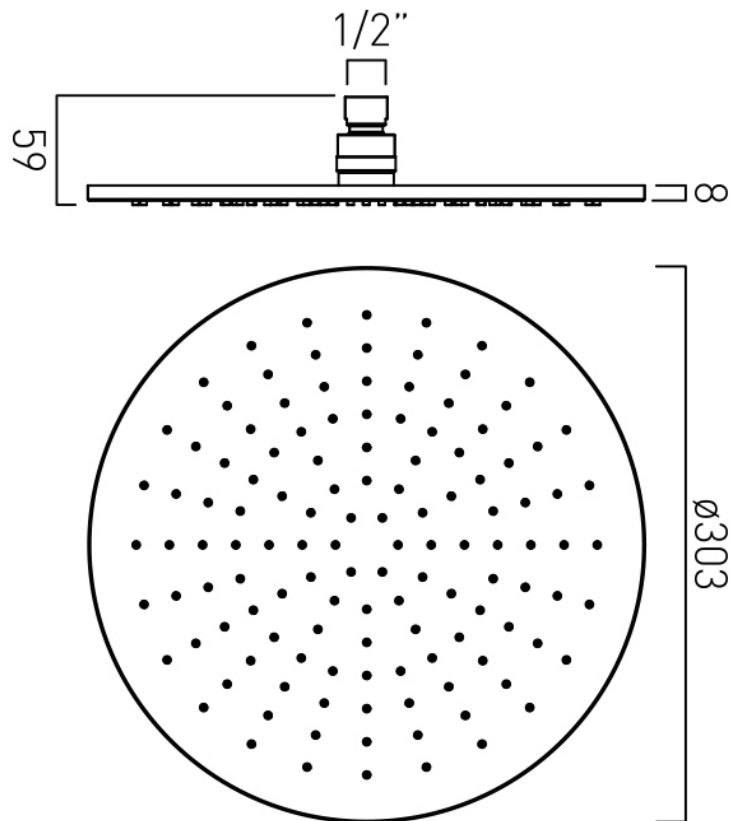
**where inspiration flows**  
taps | showering | accessories



# TECHNICAL DRAWING

**COLLECTION:**

**PRODUCT CODE:** IND-R0/30-BLK



tel: 01934 744466  
email: sales@vado.com  
www.vado.com

**where inspiration flows**  
taps | showering | accessories



---

# SPECIFICATION SHEET

**COLLECTION:**

**PRODUCT CODE:** IND-EFSA/RO-BLK



**DESCRIPTION:**

shower arm round easy fit wall mounted

**FINISH:**

Brushed Black



tel: 01934 744466  
email: [sales@vado.com](mailto:sales@vado.com)  
[www.vado.com](http://www.vado.com)

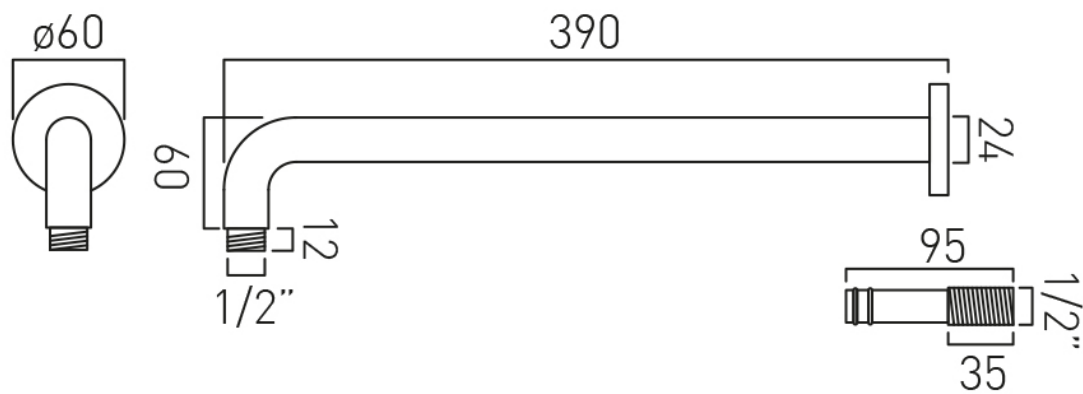
**where inspiration flows**  
taps | showering | accessories



# TECHNICAL DRAWING

**COLLECTION:**

**PRODUCT CODE:** IND-EFSA/RO-BLK



tel: 01934 744466  
email: sales@vado.com  
www.vado.com

**where inspiration flows**  
taps | showering | accessories



# SPECIFICATION SHEET

**COLLECTION:**

**PRODUCT CODE:** IND-SFMKWO/RO-BLK



**DESCRIPTION:**

single function mini shower kit  
wall mounted  
with hose and bracket with integral outlet  
1/2" inlet  
minimum operating pressure 0.2 bar LP

**FINISH:**

Brushed Black

**FLOW REGULATOR:**

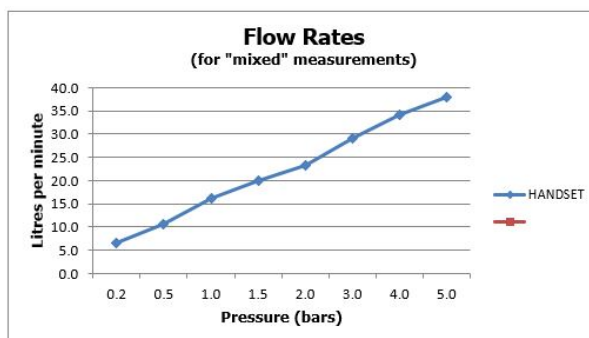
FR-SHOWER/9-C/P

**MINIMUM OPERATING PRESSURE:**

0.2 bar LP

**FLOW RATE AT 3.0 BAR FLOW PRESSURE:**

29 l/min



tel: 01934 744466  
email: sales@vado.com  
www.vado.com

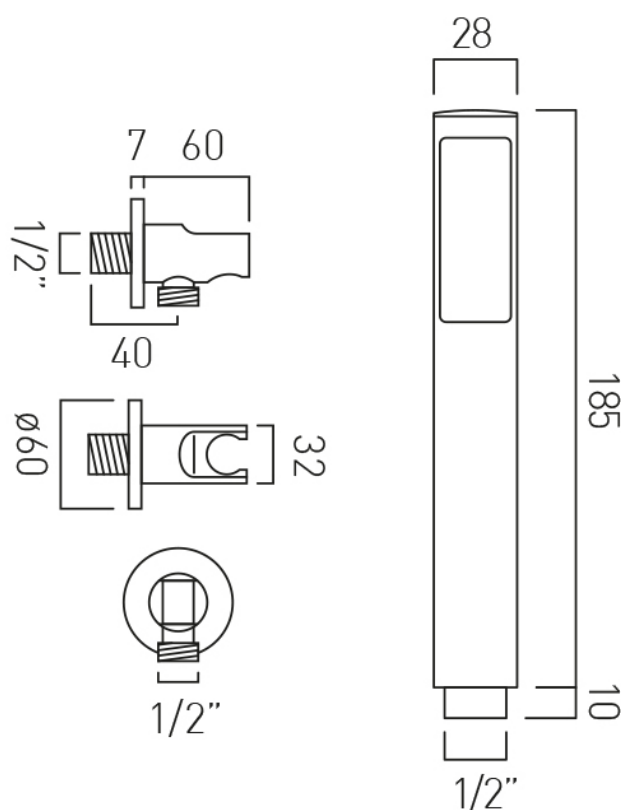
**where inspiration flows**  
taps | showering | accessories



# TECHNICAL DRAWING

**COLLECTION:**

**PRODUCT CODE:** IND-SFMKWO/RO-BLK



tel: 01934 744466  
email: sales@vado.com  
www.vado.com

**where inspiration flows**  
taps | showering | accessories

