

SPECIFICATION SHEET

COLLECTION:

PRODUCT CODE: WG-461/SQ-CP



DESCRIPTION:

contemporary square bottle trap
35mm x 300mm pipe connections
min-max vertical adjustment 40-150mm to
outlet centre

FINISH:

Chrome



tel: 01934 744466
email: sales@vado.com
www.vado.com

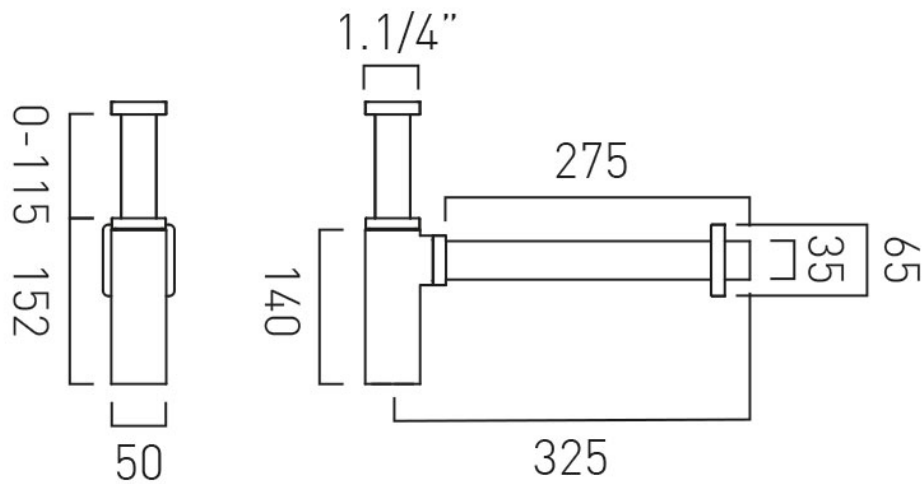
where inspiration flows
taps | showering | accessories



TECHNICAL DRAWING

COLLECTION:

PRODUCT CODE: WG-461/SQ-CP



tel: 01934 744466
email: sales@vado.com
www.vado.com

where inspiration flows
taps | showering | accessories

