

SPECIFICATION SHEET

COLLECTION: ELEMENTS

PRODUCT CODE: ELW-135/NH-CP



DESCRIPTION:

3 hole bath filler
deck mounted
with fixed spout
with water flow straightener
cold ceramic cartridge C-303-RTC
hot ceramic cartridge C-303-LTC
2 x 3/4" x 3/4" 600mm flexipipe connections
3/4" male inlet connections
spout deck mount drill hole diameter 30mm
minimum operating pressure 0.2 bar LP

FINISH:

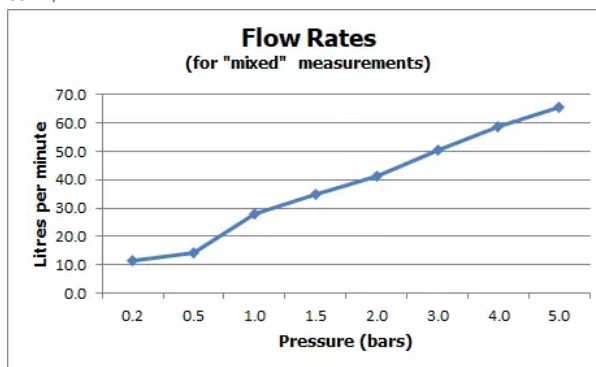
Chrome

MINIMUM OPERATING PRESSURE:

0.2 bar LP

FLOW RATE AT 3.0 BAR FLOW PRESSURE:

50.2 l/min



tel: 01934 744466
email: sales@vado.com
www.vado.com

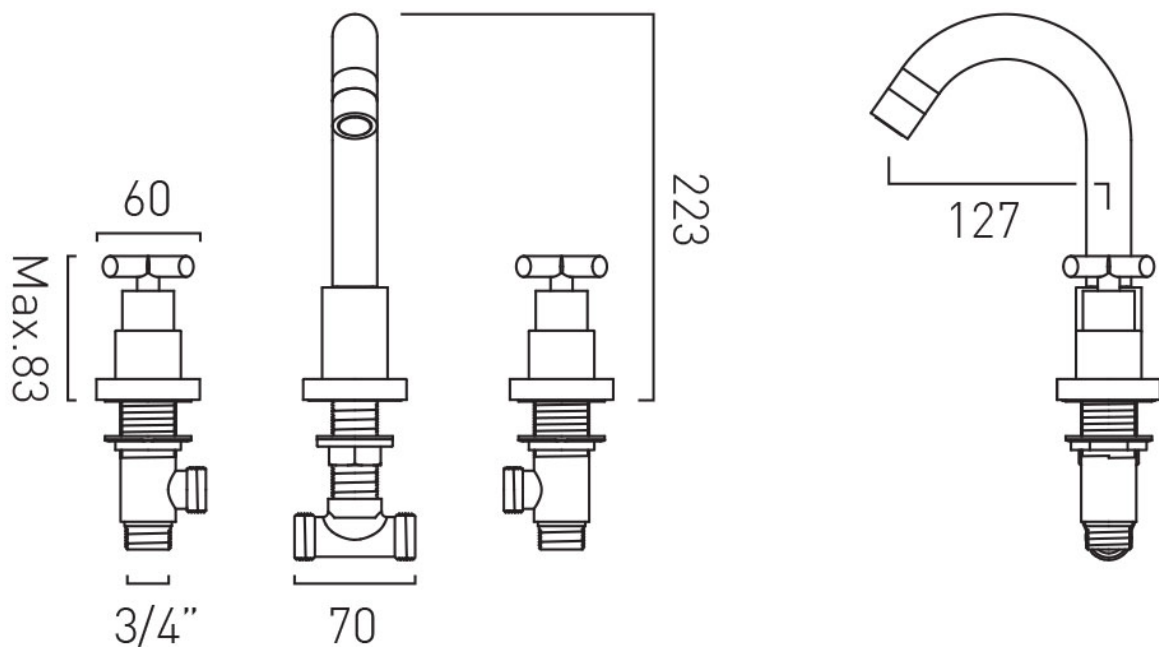
where inspiration flows
taps | showering | accessories



TECHNICAL DRAWING

COLLECTION: ELEMENTS

PRODUCT CODE: ELW-135/NH-CP



tel: 01934 744466
email: sales@vado.com
www.vado.com

where inspiration flows
taps | showering | accessories

