

SPECIFICATION SHEET

COLLECTION: ARRONDI

PRODUCT CODE: ARR-150-CP



DESCRIPTION:

mono kitchen mixer
single lever
deck mounted
with swivel spout
with water flow aerator
ceramic cartridge K-001-N25
2 x 1/2" x 400mm fl exipipe connections
deck mount drill hole diameter 35mm
minimum operating pressure 1.0 bar MP

FINISH:

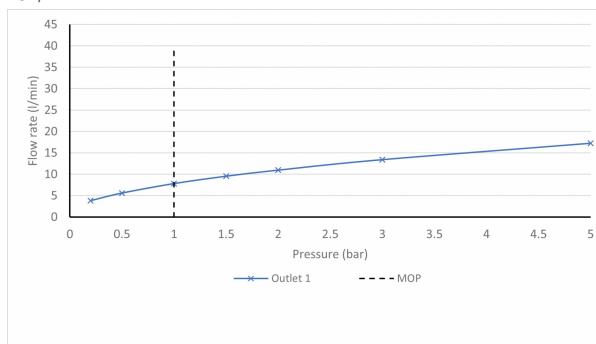
Chrome

MINIMUM OPERATING PRESSURE:

1.0 bar MP

FLOW RATE AT 3.0 BAR FLOW PRESSURE:

13 l/min



tel: 01934 744466
email: sales@vado.com
www.vado.com

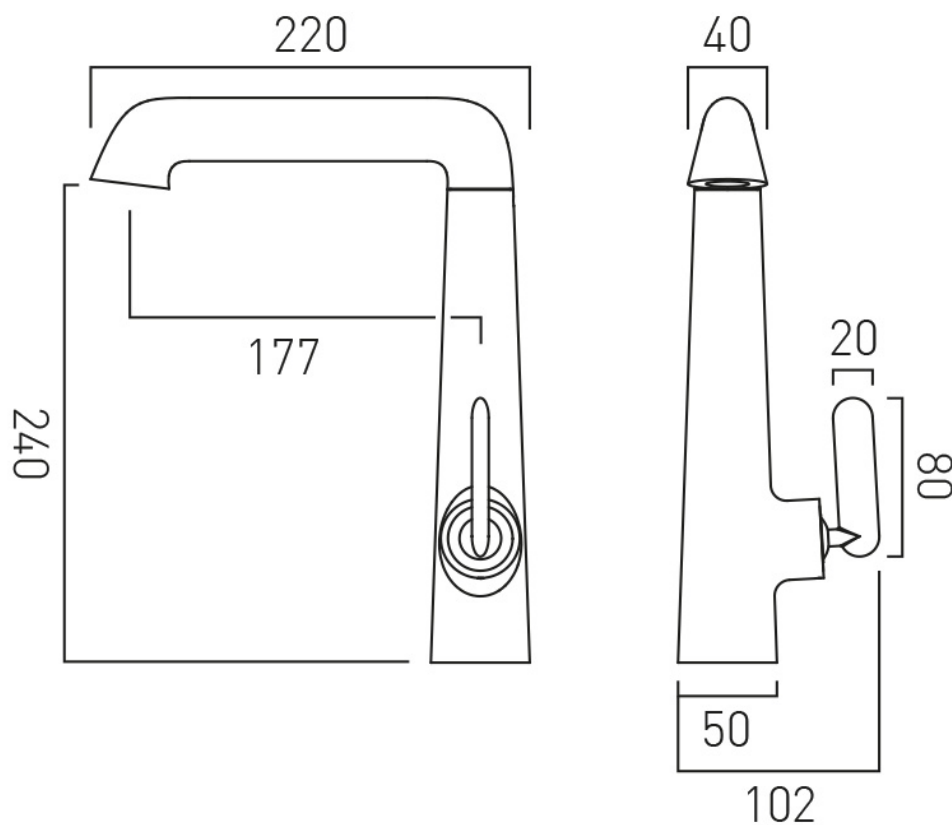
where inspiration flows
taps | showering | accessories



TECHNICAL DRAWING

COLLECTION: ARRONDI

PRODUCT CODE: ARR-150-CP



tel: 01934 744466
email: sales@vado.com
www.vado.com

where inspiration flows
taps | showering | accessories

