

SPECIFICATION SHEET

COLLECTION: ARRONDI

PRODUCT CODE: ARR-101-CP



DESCRIPTION:

3 hole basin mixer, lever handles
deck mounted with fixed spout
without pop-up waste, with water flow aerator
1/2" ceramic disc 1/4 turn valves
cold ceramic cartridge FL-202-LTC
hot ceramic cartridge FL-202-RTC
2 x 1/2" x 1/2" 300mm flexipipe connections
1/2" male x 1/2" male x 1/2" female T connection
spout deck mount drill hole diameter 30mm
valve deck mount drill hole diameter 30mm
minimum operating pressure 1.0 bar MP

FINISH:

Chrome

FLOW REGULATOR:

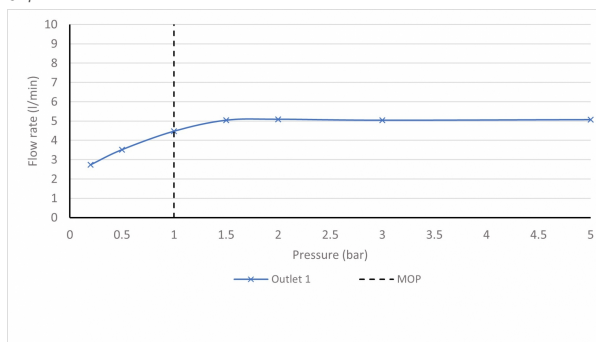
5 l/min flow regulator fitted as standard

MINIMUM OPERATING PRESSURE:

1.0 bar MP

FLOW RATE AT 3.0 BAR FLOW PRESSURE:

5 l/min



tel: 01934 744466
email: sales@vado.com
www.vado.com

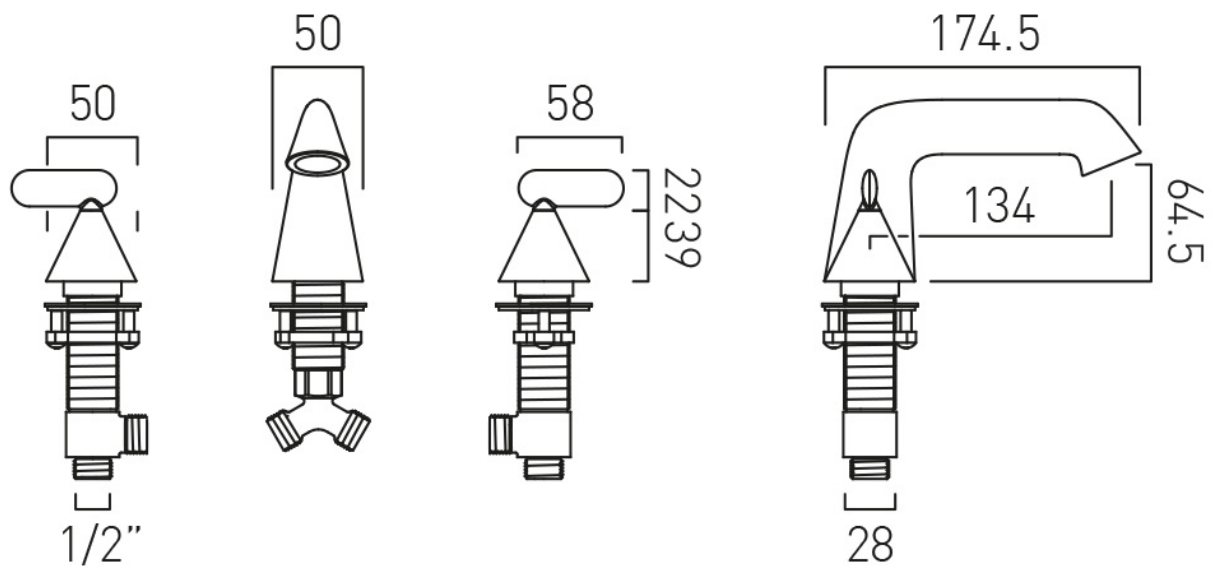
where inspiration flows
taps | showering | accessories



TECHNICAL DRAWING

COLLECTION: ARRONDI

PRODUCT CODE: ARR-101-CP



tel: 01934 744466
email: sales@vado.com
www.vado.com

where inspiration flows
taps | showering | accessories

