

# SPECIFICATION SHEET

**COLLECTION:** ARRONDI

**PRODUCT CODE:** ARR-201-CP



## DESCRIPTION:

3 hole basin mixer, cross handles  
deck mounted with fixed spout  
without pop-up waste, with water flow aerator  
1/2" ceramic disc 1/4 turn valves  
cold ceramic cartridge FL-202-LTC  
hot ceramic cartridge FL-202-RTC  
2 x 1/2" x 1/2" 300mm flexipipe connections  
1/2" male x 1/2" male x 1/2" female T connection  
spout deck mount drill hole diameter 30mm  
valve deck mount drill hole diameter 30mm  
minimum operating pressure 1.0 bar MP

## FINISH:

Chrome

## FLOW REGULATOR:

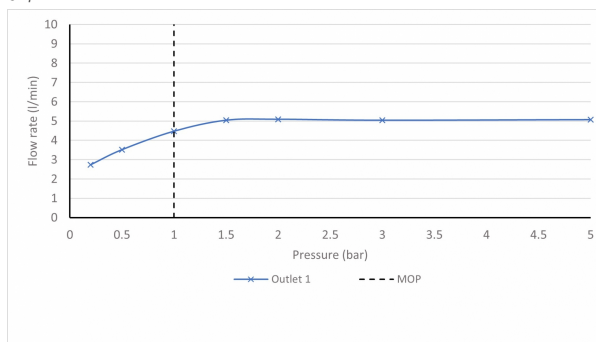
5 l/min flow regulator fitted as standard

## MINIMUM OPERATING PRESSURE:

1.0 bar MP

## FLOW RATE AT 3.0 BAR FLOW PRESSURE:

5 l/min



tel: 01934 744466  
email: sales@vado.com  
www.vado.com

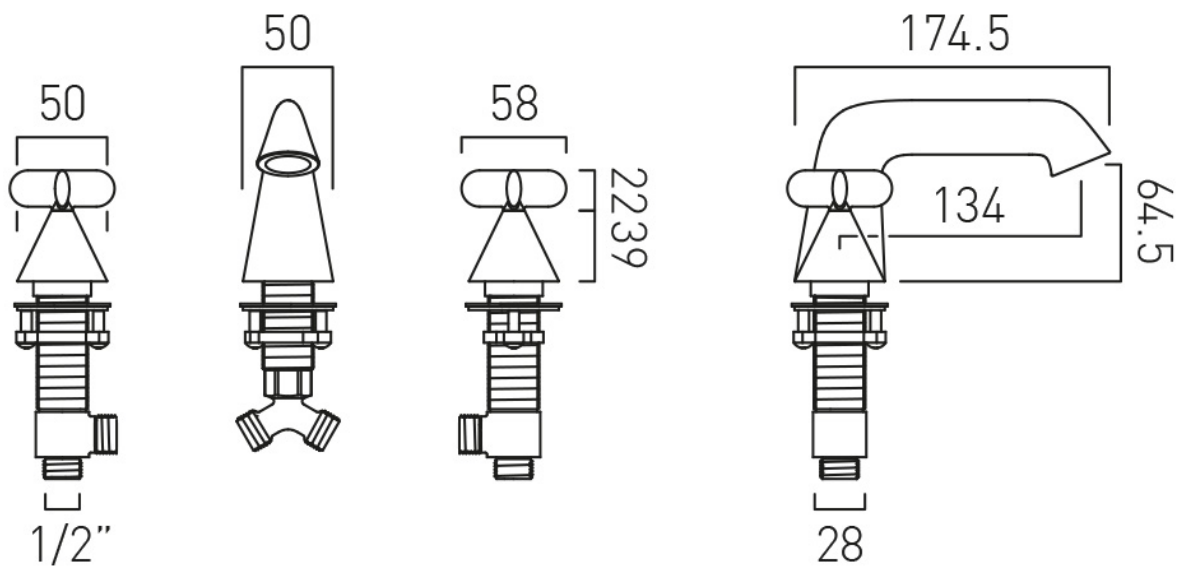
**where inspiration flows**  
taps | showering | accessories



# TECHNICAL DRAWING

**COLLECTION:** ARRONDI

**PRODUCT CODE:** ARR-201-CP



tel: 01934 744466  
email: sales@vado.com  
www.vado.com

**where inspiration flows**  
taps | showering | accessories

