

SPECIFICATION SHEET

COLLECTION: ARRONDI

PRODUCT CODE: ARR-132T-CP



DESCRIPTION:

4 hole bath shower mixer
lever handles, deck mounted
with fixed spout
with Capsule shower kit
with water flow straightener
thermostatic cartridge V-704-34S
diverter cartridge FL-801-33/2SX
1/2" 700mm flexipipe with right angle connection
braided shower hose
2 x 400 1/2" female flexipipe connectors to valve
valve deck mount drill hole 48mm
diverter deck mount drill hole 48mm
spout and handset deck mount drill hole 30mm
bath deck thickness (1-18mm)
minimum operating pressure 3.0 bar HP

FINISH:

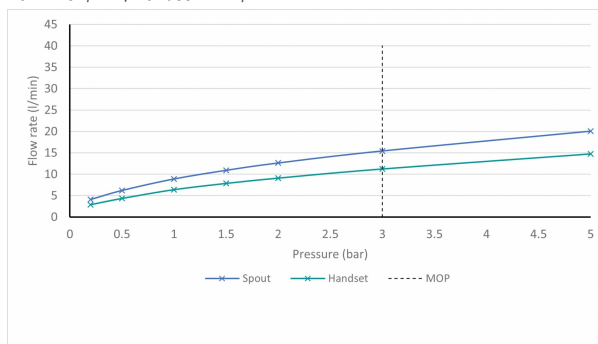
Chrome

MINIMUM OPERATING PRESSURE:

3.0 bar HP

FLOW RATE AT 3.0 BAR FLOW PRESSURE:

Bath: 15 l/min, Handset: 11 l/min



tel: 01934 744466
email: sales@vado.com
www.vado.com

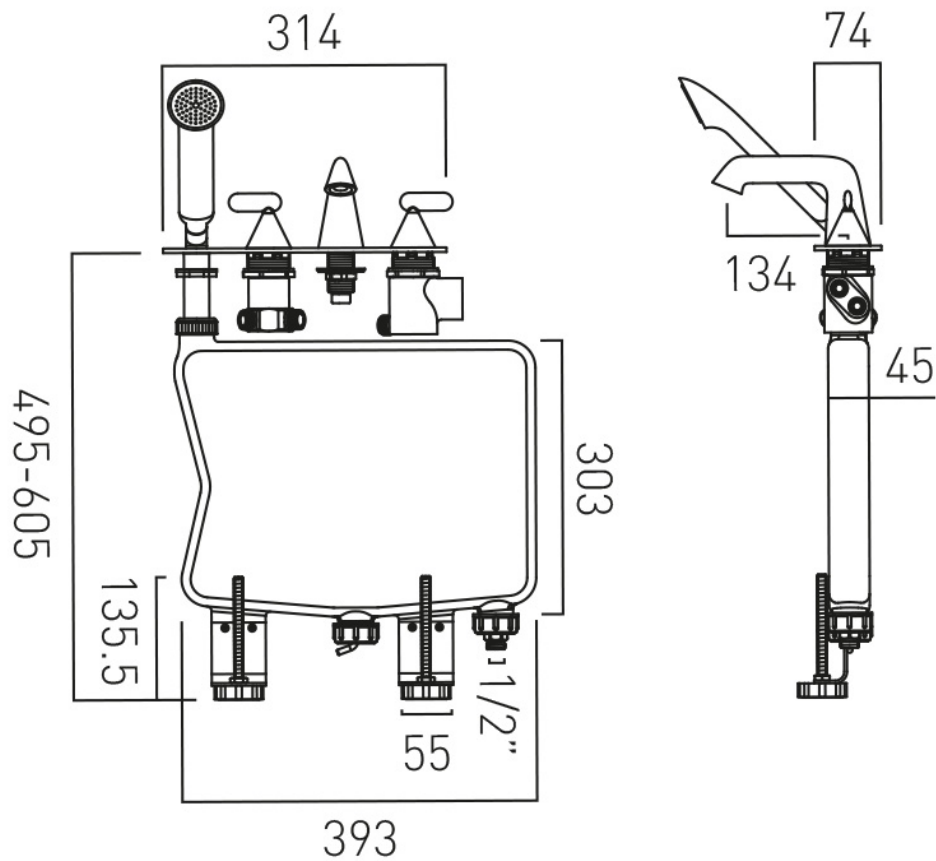
where inspiration flows
taps | showering | accessories



TECHNICAL DRAWING

COLLECTION: ARRONDI

PRODUCT CODE: ARR-132T-CP



tel: 01934 744466
email: sales@vado.com
www.vado.com

where inspiration flows
taps | showering | accessories

