

Guarantee

All VADO products come with a 2 year guarantee as standard. Within this guarantee period VADO will provide replacement parts and any labour **[SEE NOTE 1]** needed to complete the product repair.

This standard guarantee may be extended by registering your product to give up to a 15 year guarantee period. Once registered:

VADO chromed brassware and stainless steel products have a 15 year guarantee (2 years parts and labour plus 13 years parts only).

VADO Sensori SmartTouch and SmartDial products have a 5 year guarantee (parts and labour).

VADO Identity and i-tech products have a 5 year guarantee (2 year parts and labour plus 3 years parts only).

All other VADO products have a 3 year guarantee (2 years parts and labour plus 1 year parts only) **[SEE NOTE 2]**.

Guarantee Conditions

Our products are guaranteed against manufacturing defects from the date of purchase until the expiry of the relevant guarantee period shown above.

The guarantee is only valid if:

- The product has been installed, used and maintained in accordance with VADO's instructions and subjected to normal use only.
- The defect is not due to use of an unsuitable or inadequate water or power supply.
- The defect is not due to accident, misuse, neglect or incorrect/inappropriate repair (other than by VADO or VADO authorised agents) or damage caused by foreign objects or substances.
- The extended guarantee is only available if you have completed the Guarantee Registration Process.

This can be done via the VADO website or via phone to our aftersales team.

Registration must be completed within 6 months from date of purchase.

Under the extended guarantee period VADO will, at its option, offer to supply any replacement product (or component part) assessed to be defective **[SEE NOTE 3]**.

The guarantee (whether standard or extended) is non-transferable to any subsequent owner.

All claims under the guarantee should be notified in the first instance to our Aftersales department, contact details below, this must be done no later than the last day of the relevant guarantee period.

All claims must be accompanied by proof of purchase (sales receipt or delivery note) from an official VADO dealer.

The guarantee does not extend to any consequential loss or damage.

After repair or replacement, the relevant guarantee period will be calculated from the original date of purchase.

VADO operates a policy of continuous product development and therefore reserves the right to change the product, packaging and documentation specifications without notice. E&OE.

NOTES:

[1] Labour via our engineer network is only available in the UK. Attendance by a VADO engineer or sub-contract engineer will be under our standard terms and conditions.

[2] VADO spare parts and shower hoses are under a parts only guarantee.

[3] VADO reserves the right to charge in advance for a product (or replacement part) pending collection and investigation (at VADO expense) to confirm a defect is due to a manufacturing issue.

If a defect is found the charge will be refunded or cancelled.

This guarantee is in addition to and does not affect your statutory rights as a consumer.

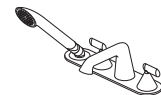
Tel: 01934 745163

Email: aftersales@vado.com

ARRONDI™

Deck mounted 4 hole bath shower mixer

User Guide



Keep for future reference



CONRAN
AND
PARTNERS

VADO

Welcome

Thank you for choosing VADO

Our products can be found in some of the most prestigious hotel, commercial and residential developments across the world, therefore you can expect exceptional product quality and outstanding customer service.

This product has passed through stringent quality assurance processes coupled with demanding lifecycle mechanical testing to ensure it reaches the exacting standards that allow us to offer our premium 15 year guarantee.

We work to ensure our product designs are harmonious with all sanitaryware, so when you choose VADO, your choice of coordinating items is unlimited.

With VADO, you can really let your inspiration flow.

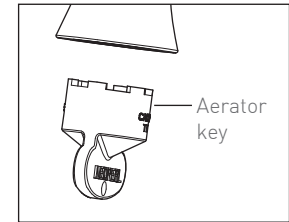
For any technical or operational queries please contact our experienced aftersales team on 01934 745163.

Cleaning Instructions:

The electroplating on this product is finished to the highest standard. Due care needs to be taken to ensure the appearance is retained.

We recommend cleaning all products with a soft damp cloth **ONLY** and advise strongly against the use of all aggressive/corrosive cleaning products i.e. powders and liquids. If these instructions are not followed, this may invalidate your guarantee in the event of a problem occurring.

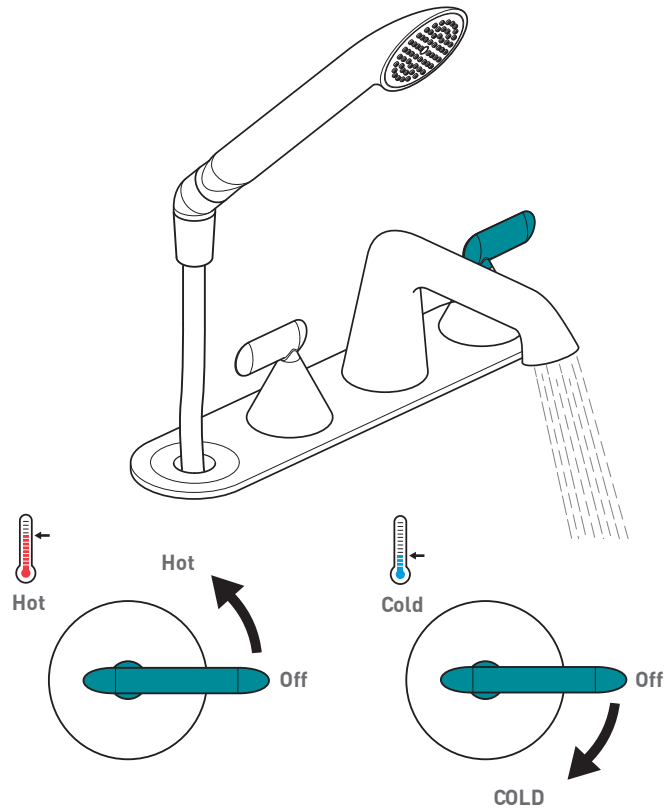
The aerator can be cleaned using vinegar or diluted essence of vinegar or vinegar based household cleaners. Stubborn scale can be removed mechanically, e.g. with an old toothbrush. We do not recommend bleach based chemical household cleaners.



Should the aerator need to be removed, please use the provided aerator key.

VADO, Wedmore Road, Cheddar, Somerset, England BS27 3EB
tel 01934 744466 fax 01934 744345
aftersales@vado.com
www.vado.com

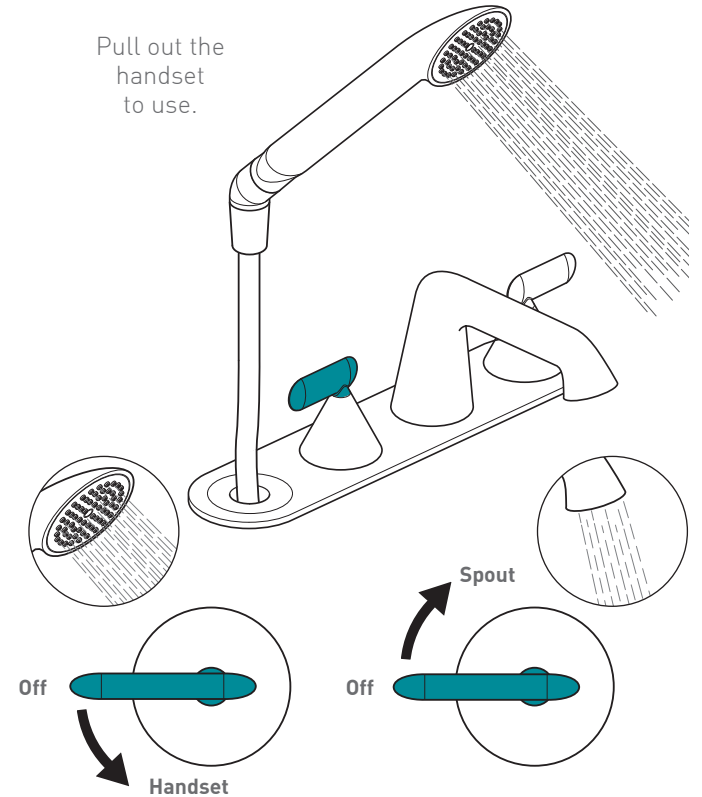
Operation - Temperature Control



Turning the handle 90° anti-clockwise will increase the temperature.

Turning the lever 90° clockwise will decrease the temperature.

Operation - Diverter Control



Pull out the handset to use.

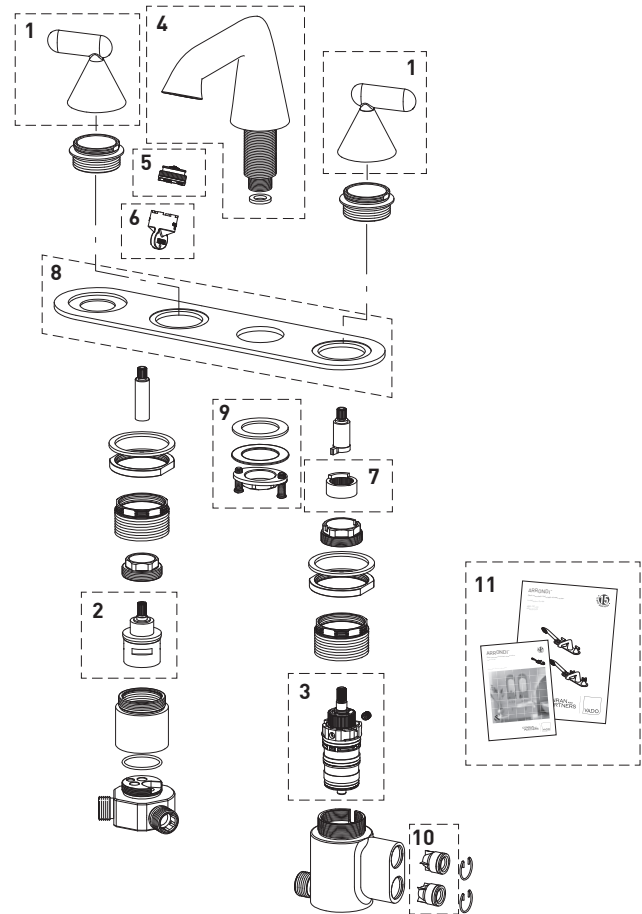
Turning the handle 90° anti-clockwise will progressively increase the flow of water to the handset (Outlet 2).

Turning the handle 90° clockwise will progressively increase the flow of water to the spout (Outlet 1)

Parts List 1

Item	Part	Code	Qty
1	Handle	ARR-5-CP x2	1
2	Diverter Cartridge	FL-801-33/2SX	1
3	Thermo. Cartridge	V-704-34S	1
4	Spout	ARR-SPOUT3-CP	1
5	Aerator	N-123-24-0-PLA	1
6	Aerator Key	N-006-24-0-PLA	1
7	Stop Ring	ARR-STOPRING2-PLA	1
8	Plate	ARR-032PLATE-CP	1
9	Fixing Kit	ARR-FIXING	1
10	NRV	ARR-003A-FIL	2
11	Manuals	INSTALLATION GUIDE & USER MANUAL	1

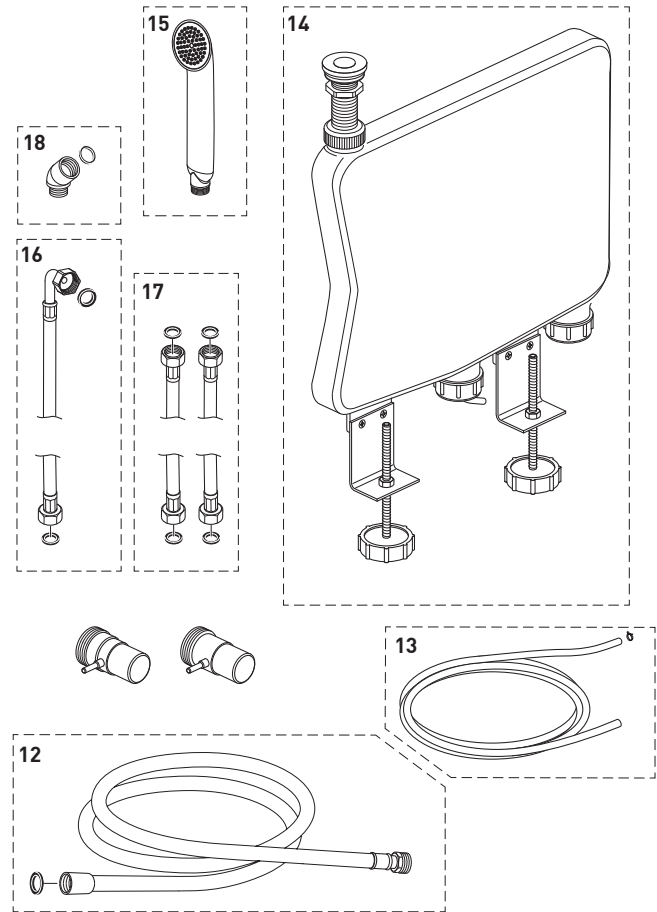
Parts 1



Parts List 2

Item	Part	Code	Qty
12	Shower Hose	WG-CAPSULE/HOSE3-CP	1
13	Capsule Hose	ARR-CAPSULEHOSE	1
14	Capsule Box	WG-CAPSULE/R02-CP	1
15	Handset	ARR-HANDSET-CP	1
16	Flexible 90° Hose	T-12X12-AC700RA-TWT	1
17	Flexible Hose	T-12X12-AC400-TWT	1
18	Elbow	ARR-ELBOW-CP	1

Parts 2



Maintenance

Cartridge

Subject to local water conditions, the cartridge should be cleaned from time to time. Before carrying out any maintenance, shut off the water supply to the tap. Firstly, return the handle to the central position. Unscrew the handle shroud with your hand. Lift off the handle and handle shroud. Unscrew the cover and remove. Carefully use a 17mm box spanner unscrew the cartridge. Wash the cartridge with running water and make sure that any debris has been removed. Dry and lightly grease the seals (only use silicone grease), return the cartridge, cover, and handle.

After reinstalling the cartridge, check the water temperature to ensure correct commissioning.

See page 21 of the installation instructions or Vado.com for commissioning.

Replace handle assemblies and plate.

Notes: