

SPECIFICATION SHEET

COLLECTION: ARRONDI

PRODUCT CODE: TAB-123T/VO-ARR-CP



DESCRIPTION:

concealed thermostatic bath shower mixer with integrated single function mini kit
lever handles
wall mounted
with water flow straightener
thermostatic cartridge V-704-34S
diverter cartridge FL-801-33/2SX
2 x 3/4" female inlets
includes 3/4" - 1/2" adaptors
supplied with mortar/tile guard
min-max wall mount 79.5-101.5mm
minimum operating pressure 1.0 bar MP

FINISH:

Chrome

FLOW REGULATOR:

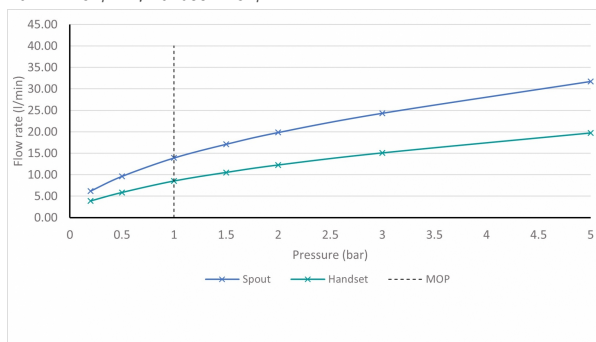
FR-FLEXI/9-PLA

MINIMUM OPERATING PRESSURE:

1.0 bar MP

FLOW RATE AT 3.0 BAR FLOW PRESSURE:

Bath: 24.5 l/min, Handset: 15 l/min



tel: 01934 744466
email: sales@vado.com
www.vado.com

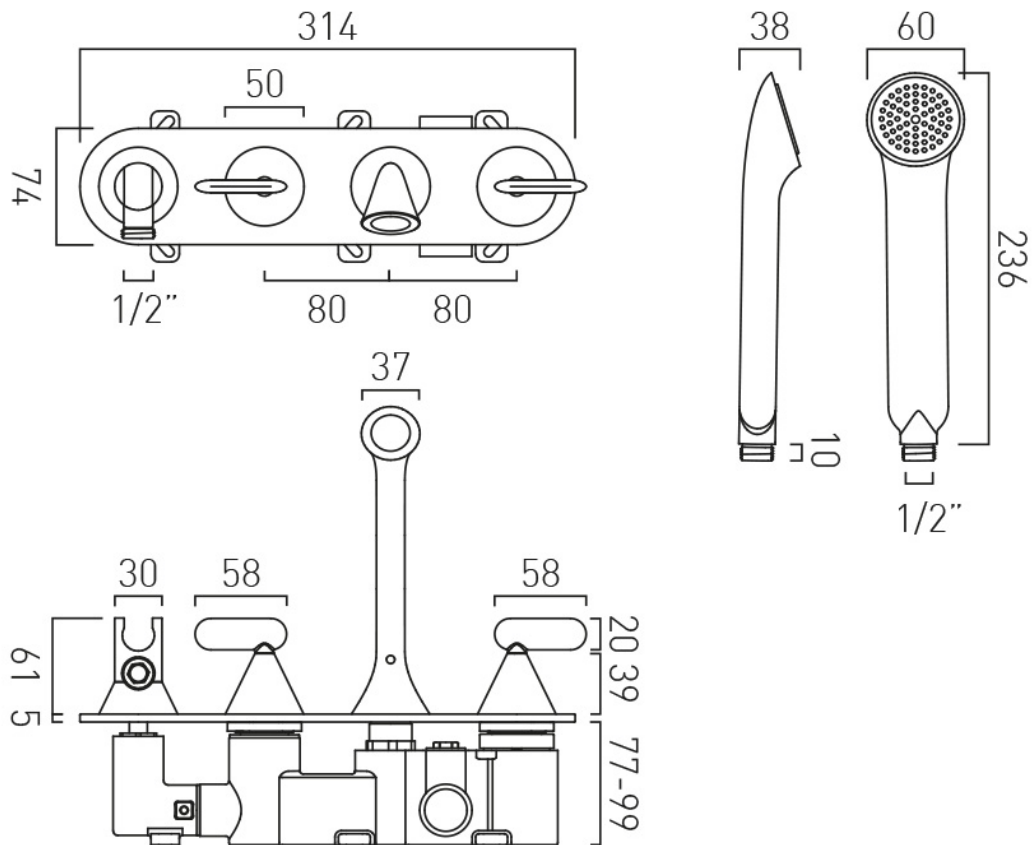
where inspiration flows
taps | showering | accessories



TECHNICAL DRAWING

COLLECTION: ARRONDI

PRODUCT CODE: TAB-123T/WO-ARR-CP



tel: 01934 744466
email: sales@vado.com
www.vado.com

where inspiration flows
taps | showering | accessories

