

SPECIFICATION SHEET

COLLECTION: ARRONDI

PRODUCT CODE: TAB-128/3WO-B-ARR-CP



DESCRIPTION:

horizontal concealed thermostatic shower valve
with integrated single function mini kit
3 outlet 3 handle
thermostatic cartridge C-704-34S
diverter cartridge FL-802-33/2MX
flow cartridge FL-301-RTC
2 x 3/4" female inlets
2 x 3/4" female outlets
includes 3/4" - 1/2" adaptors
supplied with mortar/tile guard
min-max wall mount 79.5-101.5mm
minimum operating pressure
0.2 bar LP (shower) 1.0 bar MP (bath)

FINISH:

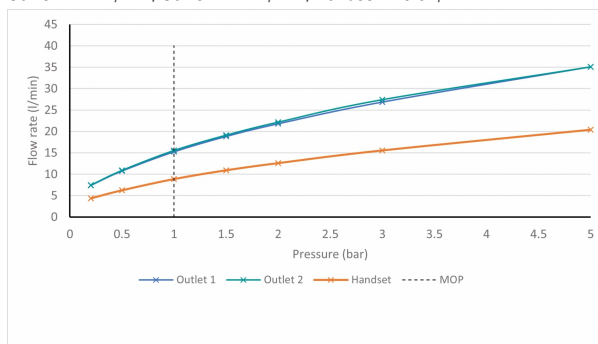
Chrome

MINIMUM OPERATING PRESSURE:

0.2 bar LP (shower) 1.0 bar MP (bath)

FLOW RATE AT 3.0 BAR FLOW PRESSURE:

Outlet 1: 27 l/min, Outlet 2: 27 l/min, Handset: 15.5 l/min



tel: 01934 744466
email: sales@vado.com
www.vado.com

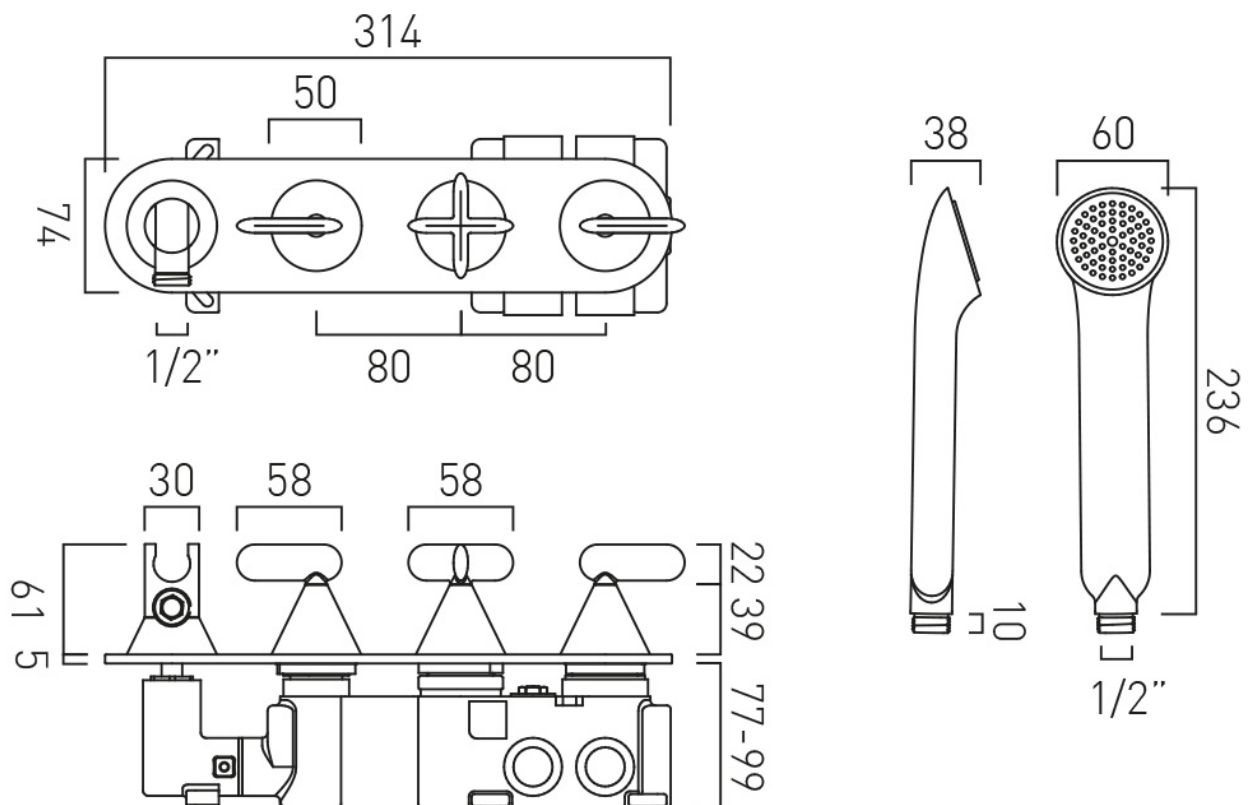
where inspiration flows
taps | showering | accessories



TECHNICAL DRAWING

COLLECTION: ARRONDI

PRODUCT CODE: TAB-128/3WO-B-ARR-CP



tel: 01934 744466
email: sales@vado.com
www.vado.com

where inspiration flows
taps | showering | accessories

