

# SPECIFICATION SHEET

**COLLECTION:** ARRONDI

**PRODUCT CODE:** TAB-128/3WO-S-ARR-CP



## DESCRIPTION:

horizontal concealed thermostatic shower valve  
with integrated single function mini kit  
3 outlet 3 handle  
with all-flow function - 1.0 bar MOP to operate  
thermostatic cartridge C-704-34S  
diverter cartridge FL-802-33/2MX  
flow cartridge FL-301-RTC  
2 x 3/4" female inlets  
2 x 3/4" female outlets  
includes 3/4" - 1/2" adaptors  
supplied with mortar/tile guard  
min-max wall mount 79.5-101.5mm  
minimum operating pressure  
0.2 bar LP (shower) 1.0 bar MP (bath)

## FINISH:

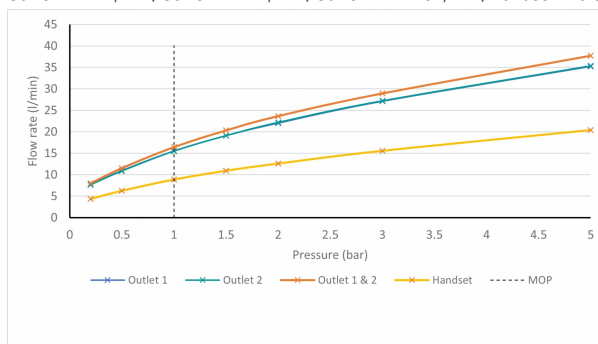
Chrome

## MINIMUM OPERATING PRESSURE:

0.2 bar LP (shower) 1.0 bar MP (bath)

## FLOW RATE AT 3.0 BAR FLOW PRESSURE:

Outlet 1: 27 l/min, Outlet 2: 27 l/min, Outlet 1+2: 28 l/min, Handset: 15.5 l/min



tel: 01934 744466  
email: sales@vado.com  
www.vado.com

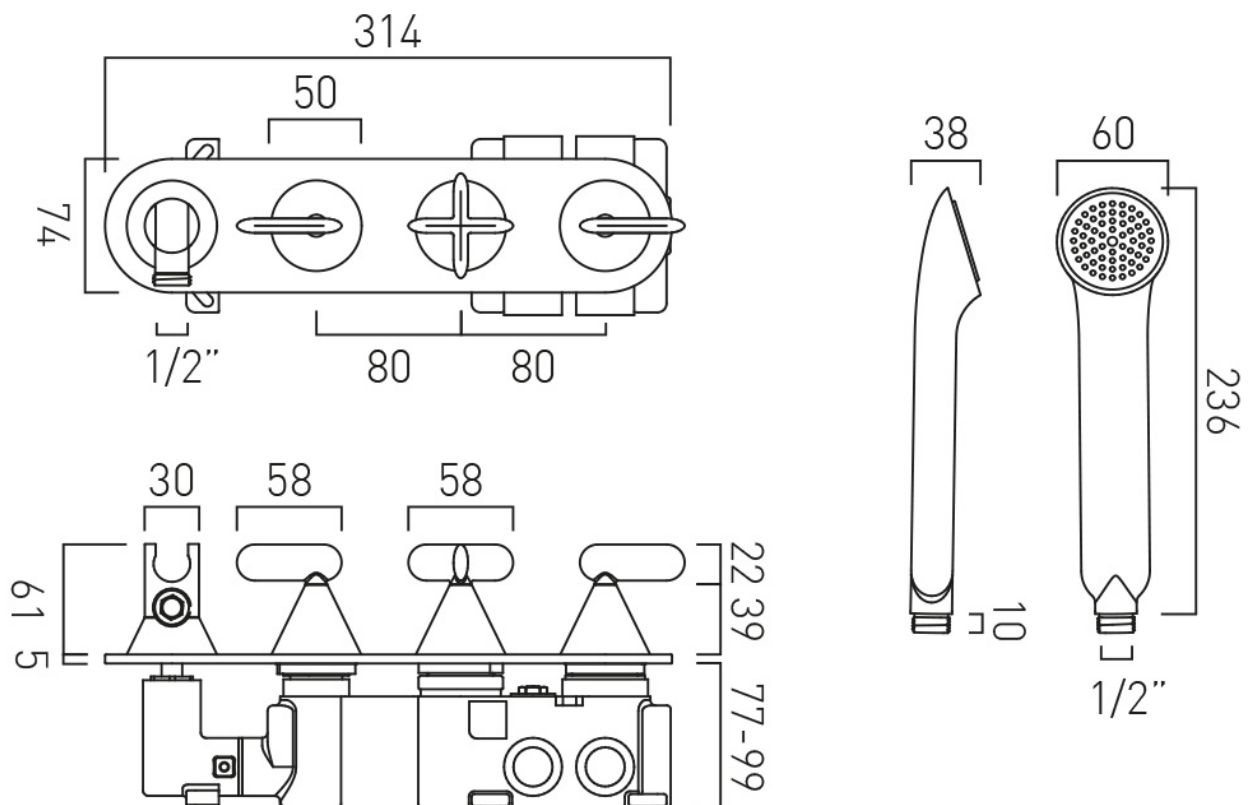
**where inspiration flows**  
taps | showering | accessories



# TECHNICAL DRAWING

**COLLECTION:** ARRONDI

**PRODUCT CODE:** TAB-128/3WO-S-ARR-CP



tel: 01934 744466  
email: sales@vado.com  
www.vado.com

**where inspiration flows**  
taps | showering | accessories

