

# SPECIFICATION SHEET

**COLLECTION:** ARRONDI

**PRODUCT CODE:** TAB-148-ARR-CP



## DESCRIPTION:

vertical concealed thermostatic shower valve  
1 outlet 2 handle  
thermostatic cartridge V-704-34S  
flow cartridge FL-301-RTC  
2 x 3/4" female inlets  
1 x 3/4" female outlet  
includes 3/4" - 1/2" adaptors  
supplied with mortar/tile guard  
min-max wall mount 79.5-101.5mm  
minimum operating pressure  
0.2 bar LP (shower) 1.0 bar MP (bath)

## FINISH:

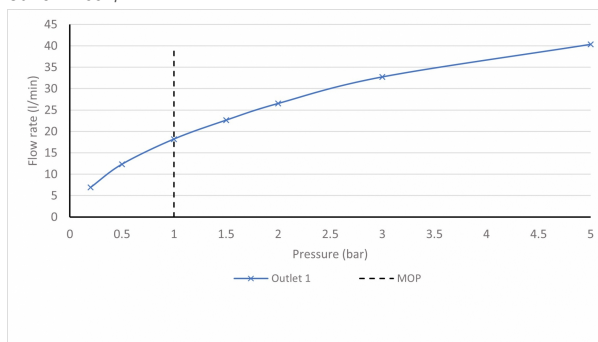
Chrome

## MINIMUM OPERATING PRESSURE:

0.2 bar LP (shower) 1.0 bar MP (bath)

## FLOW RATE AT 3.0 BAR FLOW PRESSURE:

Outlet 1: 33 l/min



15 year guarantee

tel: 01934 744466  
email: sales@vado.com  
www.vado.com

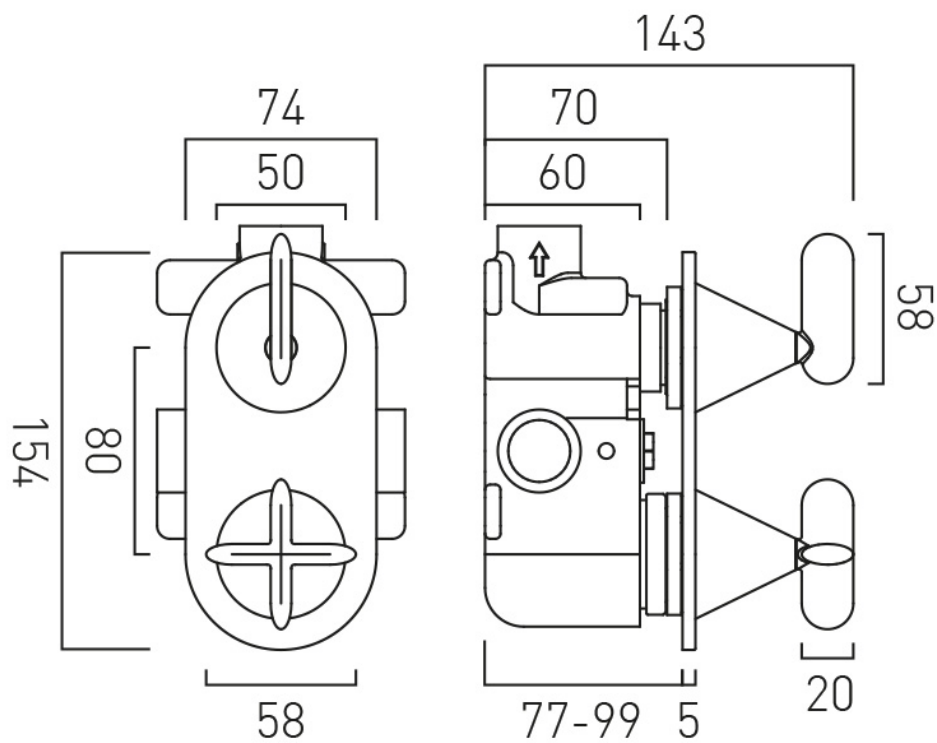
where inspiration flows  
taps | showering | accessories



# TECHNICAL DRAWING

**COLLECTION:** ARRONDI

**PRODUCT CODE:** TAB-148-ARR-CP



tel: 01934 744466  
email: sales@vado.com  
www.vado.com

**where inspiration flows**  
taps | showering | accessories

