

# SPECIFICATION SHEET

**COLLECTION:** ARRONDI

**PRODUCT CODE:** ARR-SFSRK+O-CP



## DESCRIPTION:

slide rail shower kit  
with single function shower handset  
rub-clean nozzles  
622mm slider adjustment with twist control  
680mm overall rail length  
with 150cm smooth hose  
minimum operating pressure 0.2 bar LP  
also includes:  
wall outlet  
1/2" threaded inlet

## FINISH:

Chrome

## FLOW REGULATOR:

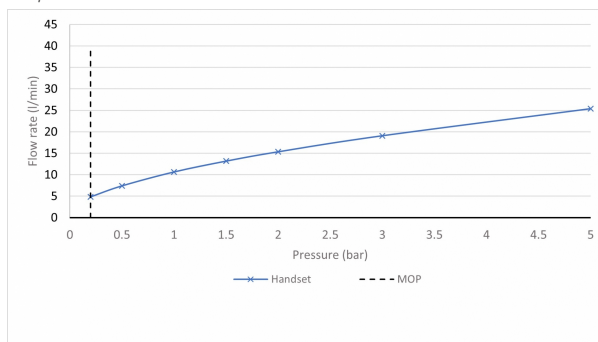
FR-FLEXI/9-PLA

## MINIMUM OPERATING PRESSURE:

0.2 bar LP

## FLOW RATE AT 3.0 BAR FLOW PRESSURE:

19 l/min



tel: 01934 744466  
email: sales@vado.com  
www.vado.com

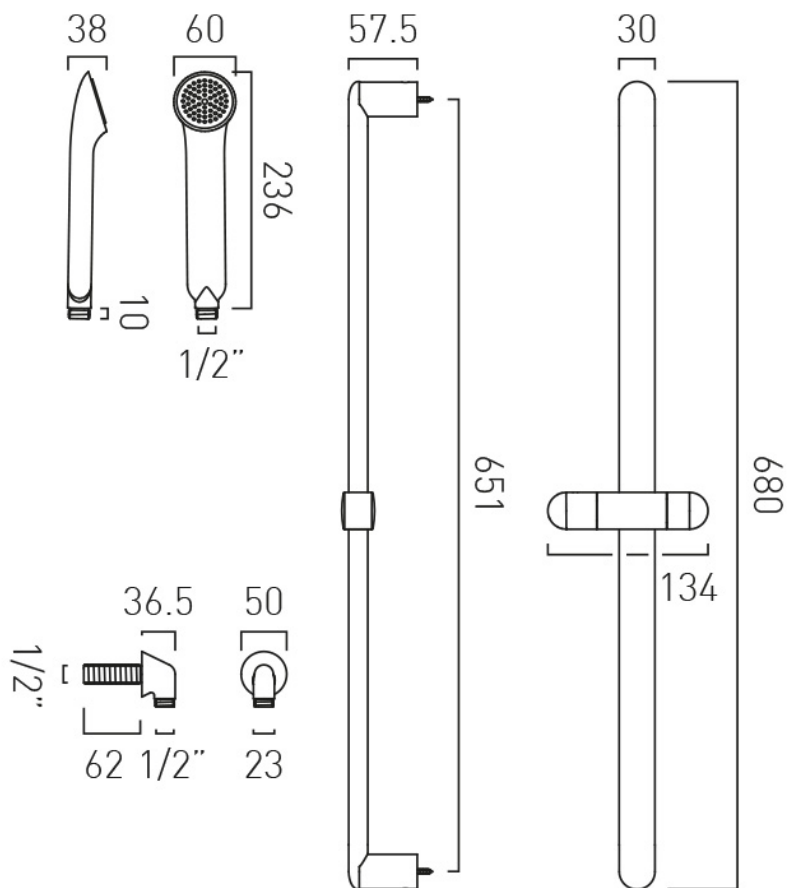
**where inspiration flows**  
taps | showering | accessories



# TECHNICAL DRAWING

**COLLECTION:** ARRONDI

**PRODUCT CODE:** ARR-SFSRK+0-CP



tel: 01934 744466  
email: sales@vado.com  
www.vado.com

**where inspiration flows**  
taps | showering | accessories

