

This installation guide covers model:

ARR-SFSRK+0-CP

ARRONDI™

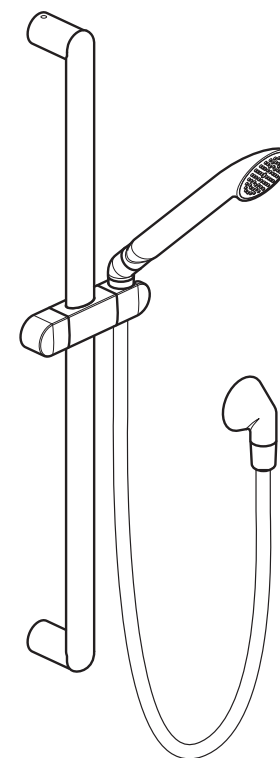
Single function slide rail kit with wall outlet

Installation Guide

ARR-SFSRK+0-CP



WHERE
INSPIRATION
FLOWS



VADO
Wedmore Road Cheddar Somerset England BS27 3EB
tel 01934 744466
fax 01934 744345
www.vado.com
sales@vado.com

Version 1, 1-4-22

CONRAN AND
PARTNERS



Important - Please Read

Please read these instructions carefully before starting installation and keep for future reference.

Remove all packaging and check the product for missing parts or damage before starting installation.

Any alterations made to this product and fittings may infringe water regulations and will invalidate the guarantee.

The installation must comply with all Local/National Water Supply Authority Regulations/Byelaws and Building and Plumbing Regulations.
To be installed in accordance with BS EN806.

We strongly recommend that you use a qualified and registered plumber.

General Installation

When installed, the fitting must comply with the requirements of the Water Supply (Water Fittings) Regulations 1999 and Scottish Byelaws 2004.

For further information, contact the Water Regulations department of your local water supplier (see the WRAS website www.wras.co.uk for details) or the Water Regulations Advisory Scheme by email (info@wras.co.uk) or telephone: 01495848454.

Please take great care when installing this product not to damage its surface.

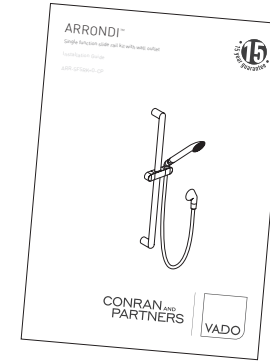
Please note if installing in an enclosed environment, access should be left for servicing and maintenance. No costs relating to inadequate access can be accepted.

Cleaning Instructions

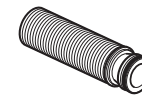
The electroplating on this product is finished to the highest standard. Due care needs to be taken to ensure the appearance is retained.

We recommend cleaning all products with a soft damp cloth ONLY and advise strongly against the use of all aggressive/corrosive cleaning products i.e. powders and liquids. If these instructions are not followed, this may invalidate your guarantee in the event of a problem occurring.

Contents of Packaging



Installation &
User guide



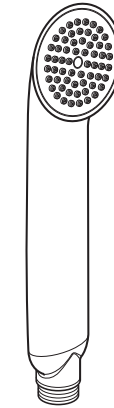
Outlet connector



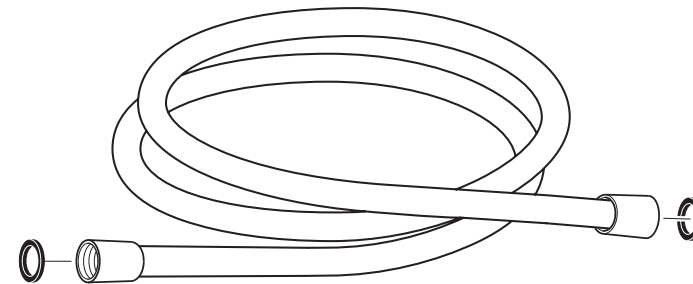
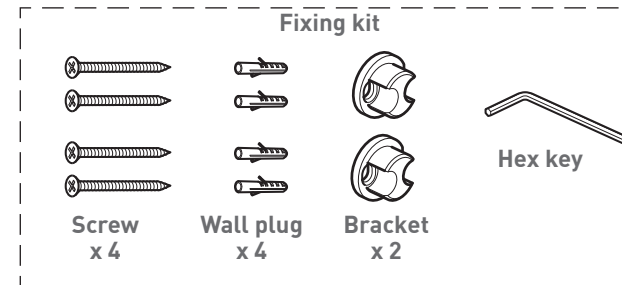
Outlet



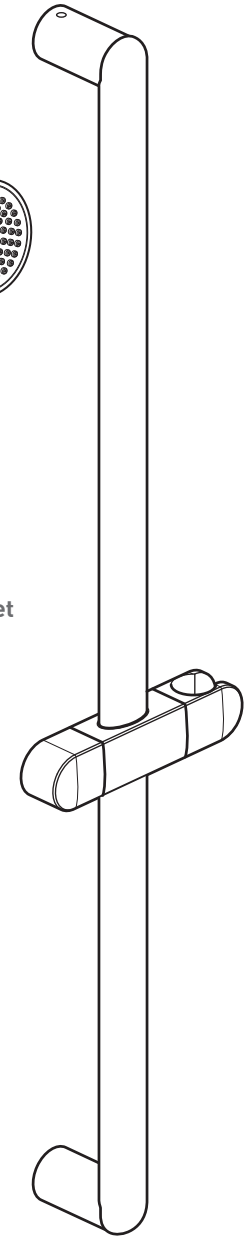
Elbow with
washer



Handset

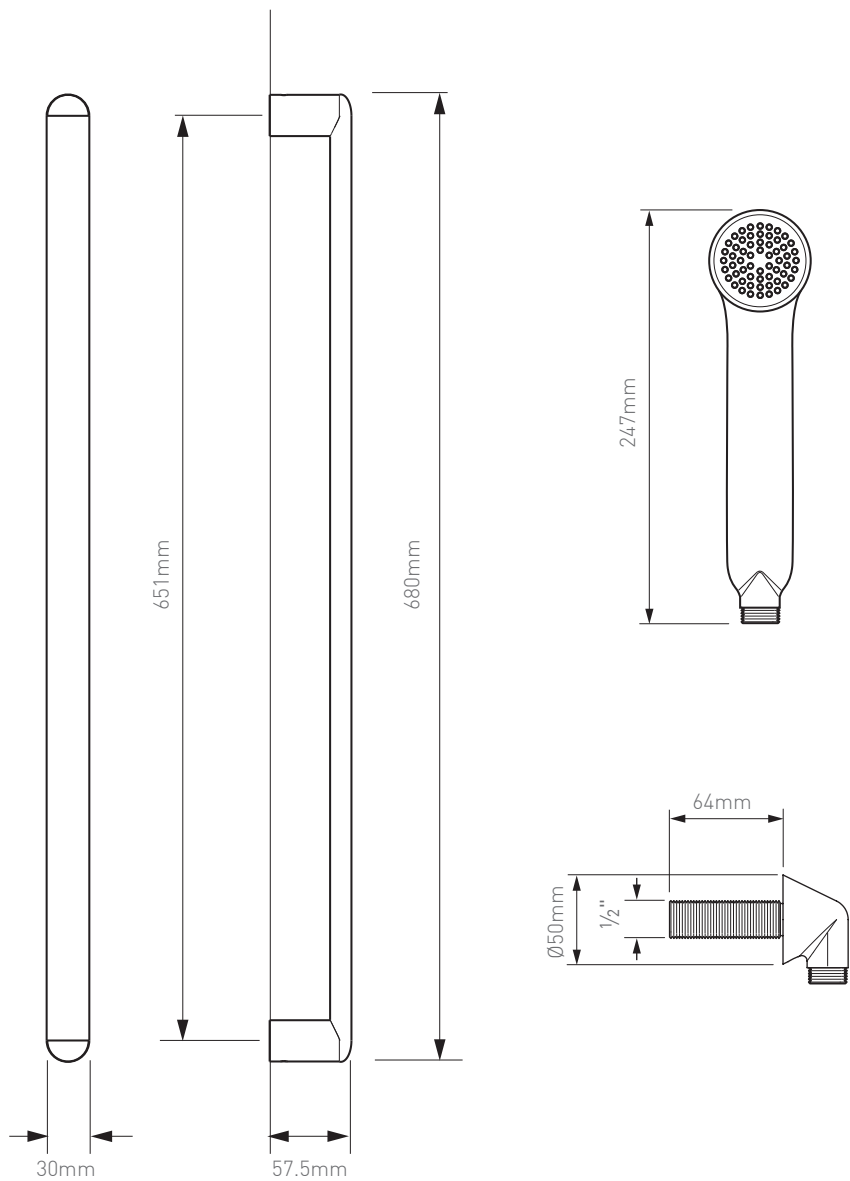


Shower hose with 2 washers

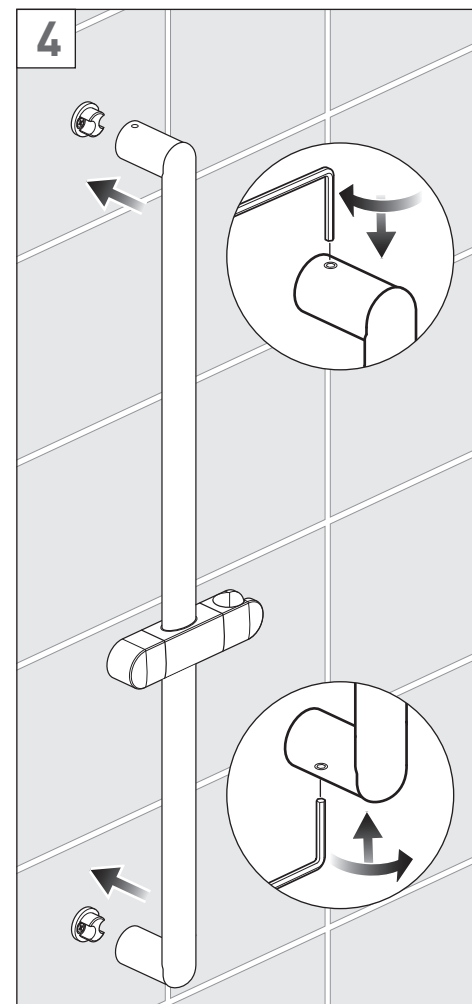
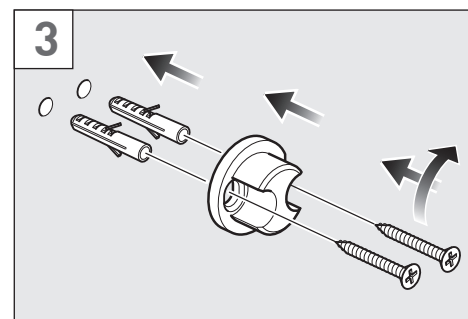
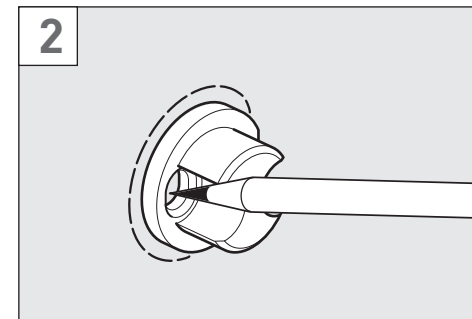
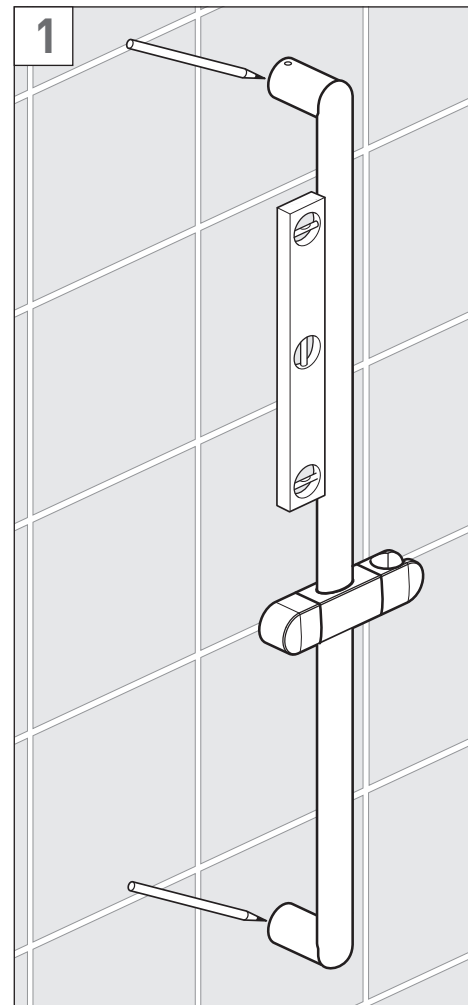


Slide rail

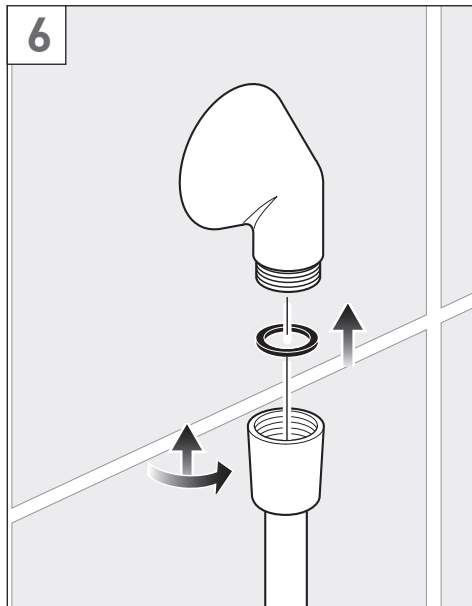
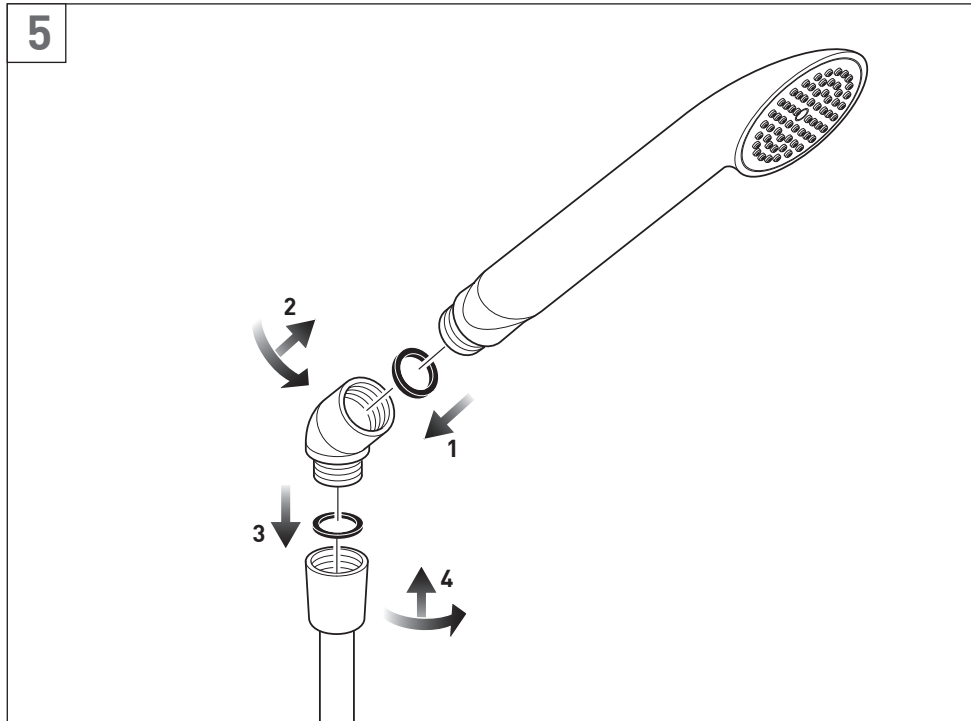
Dimensions



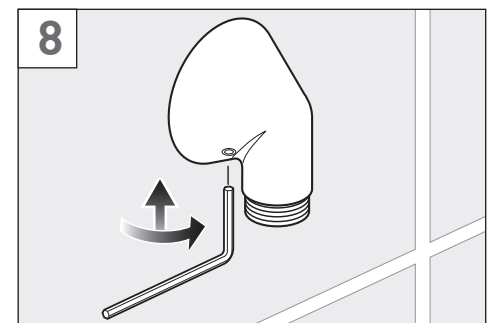
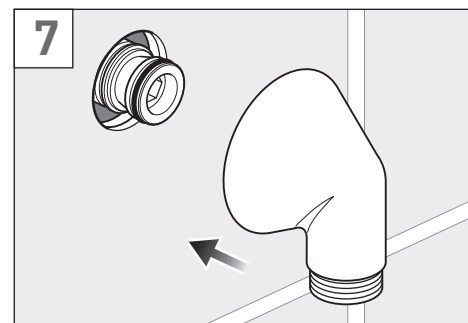
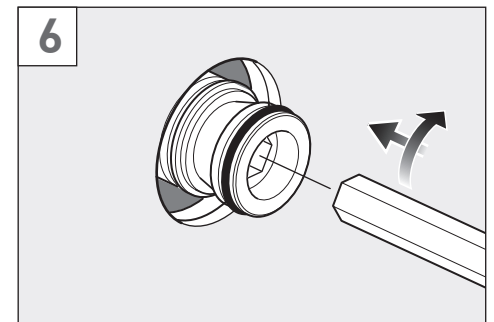
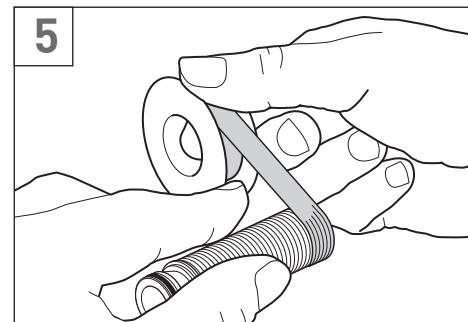
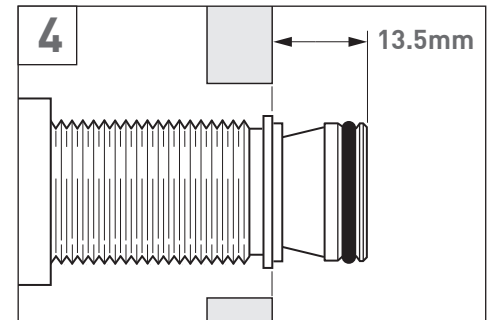
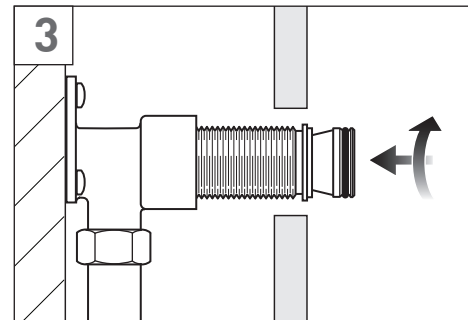
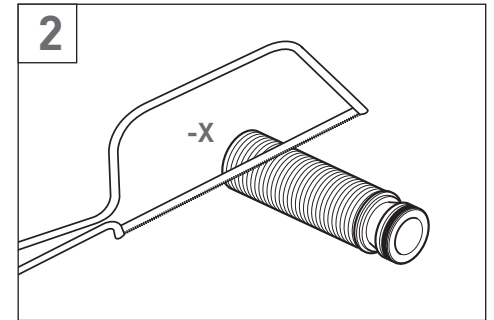
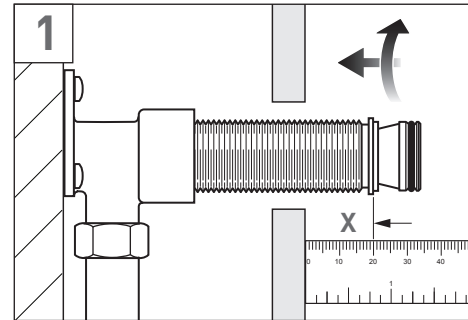
Quick Guide - Slide Rail



Quick Guide - Slide Rail



Quick Guide - Outlet

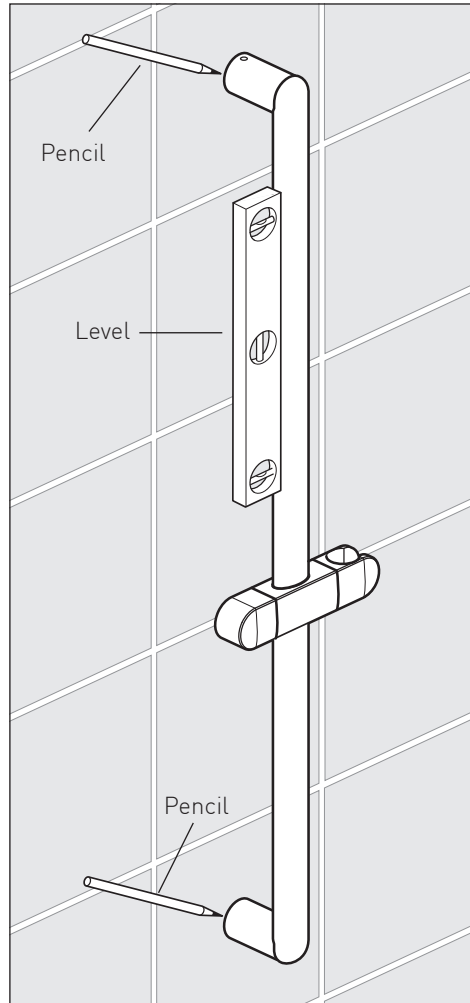


Installation

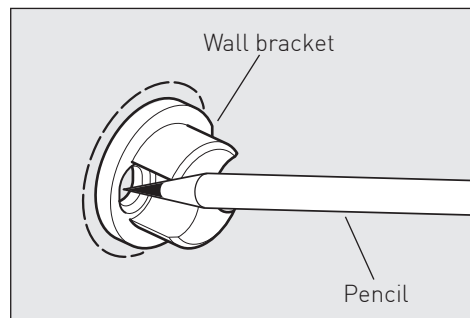
Warning! Please check for any hidden cables and pipes before drilling holes in the wall.

Mark the position of the top bracket on the wall, bearing in mind the different heights of people likely to use the shower. Make sure the hose will reach from the rail to the outlet position.

Mark the bottom bracket hole making sure that the bracket positions are vertical using a level.

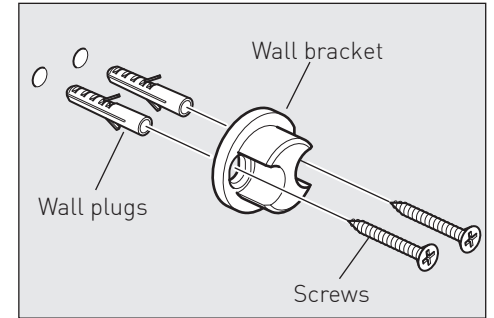


Place a wall bracket in the centre of the marked position and using a pencil mark the position of the two fixing holes.



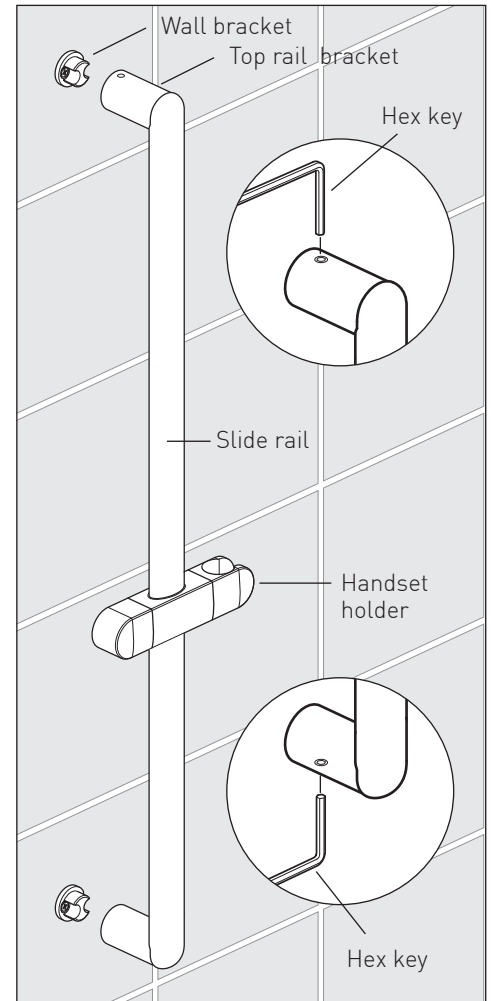
Installation

Using a 6mm drill bit for the wall plug, drill the wall at the centre of the two marked position. Secure the wall bracket using suitable fixings.



Slide the slide rail over the brackets and up to the wall. There is room for some vertical adjustment on the brackets if required.

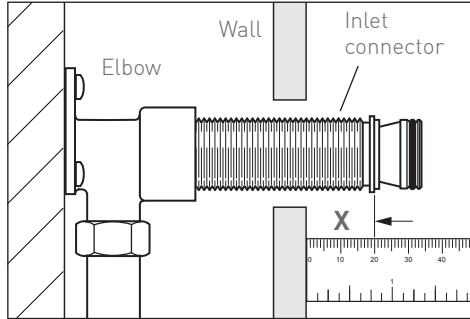
Secure the slide rail in position with the 2 grub screws on the top and bottom rail brackets, using the supplied hex key.



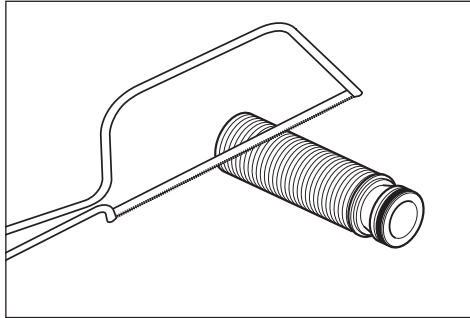
Installation - Outlet

Prepare the wall with a 1/2" connector (a fixed elbow is shown on the right, this is not supplied). Connect the water supply from the valve. Check for leaks, and finish off the wall.

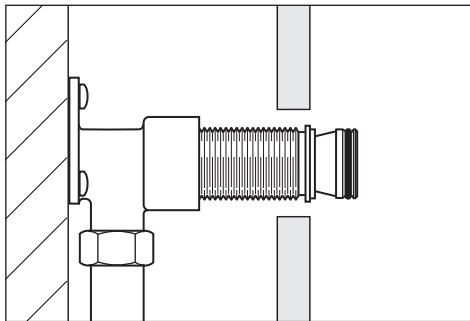
Screw in the supplied inlet connector. Take the measurement from the finished wall surface to the outside shoulder of the connector (**Xmm**).



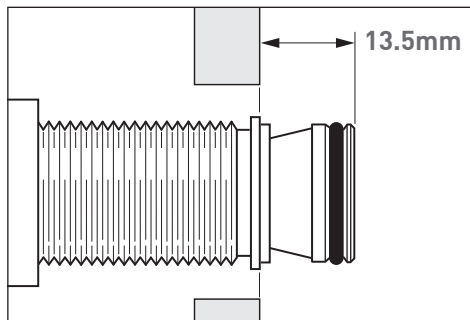
Remove the connector from the elbow. If necessary carefully cut the bottom of the connector by this measurement (**Xmm**) Remove any burrs.



Check the length of the connector by screwing into the elbow.

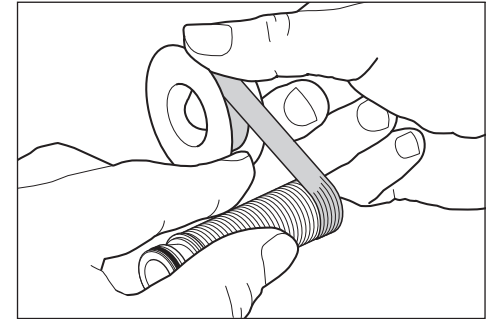


The distance between the wall and the end of the connector should be 13.5mm. Remove the connector.

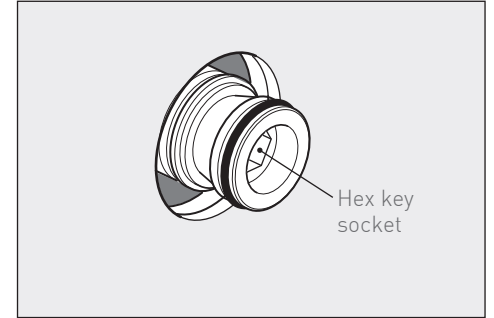


Installation

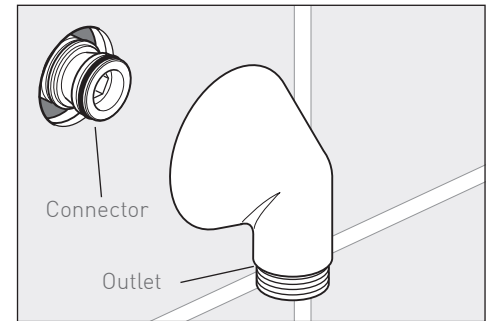
Use PTFE tape on the connector.



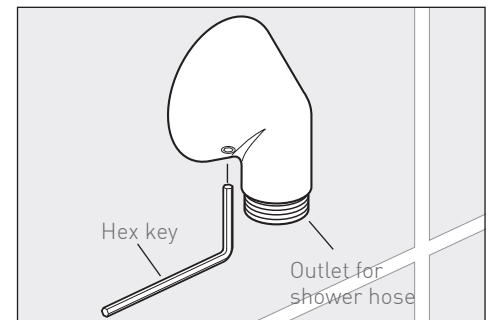
Screw in the supplied connector and tighten using a hex key in the end of the connector. Ensure the end of the connector is 13.5 mm from the wall.



Carefully slide the outlet over the connector and against the wall, make sure that the outlet is pointing downwards.



Tighten the grub screw on the underside using a hex key.



Installation

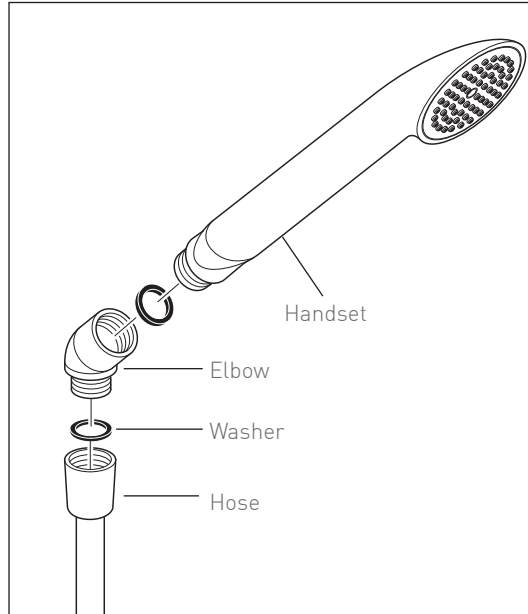
Handset

Place the rubber washer into the elbow and screw onto the handset.

Place one of the washers into either end of the hose and screw onto the elbow.

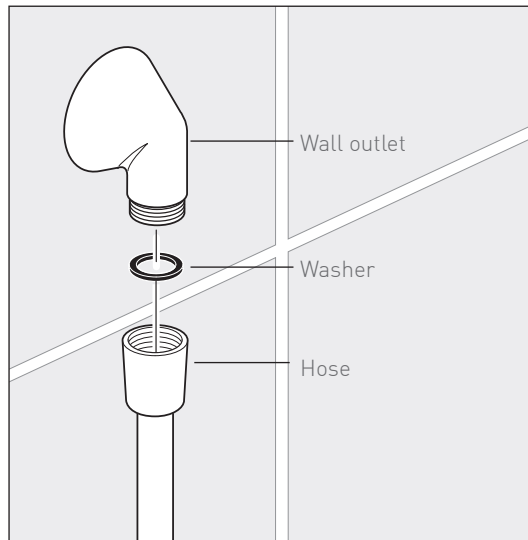
Make sure that the elbow and handset are both pointing in the same direction.

Check for leaks

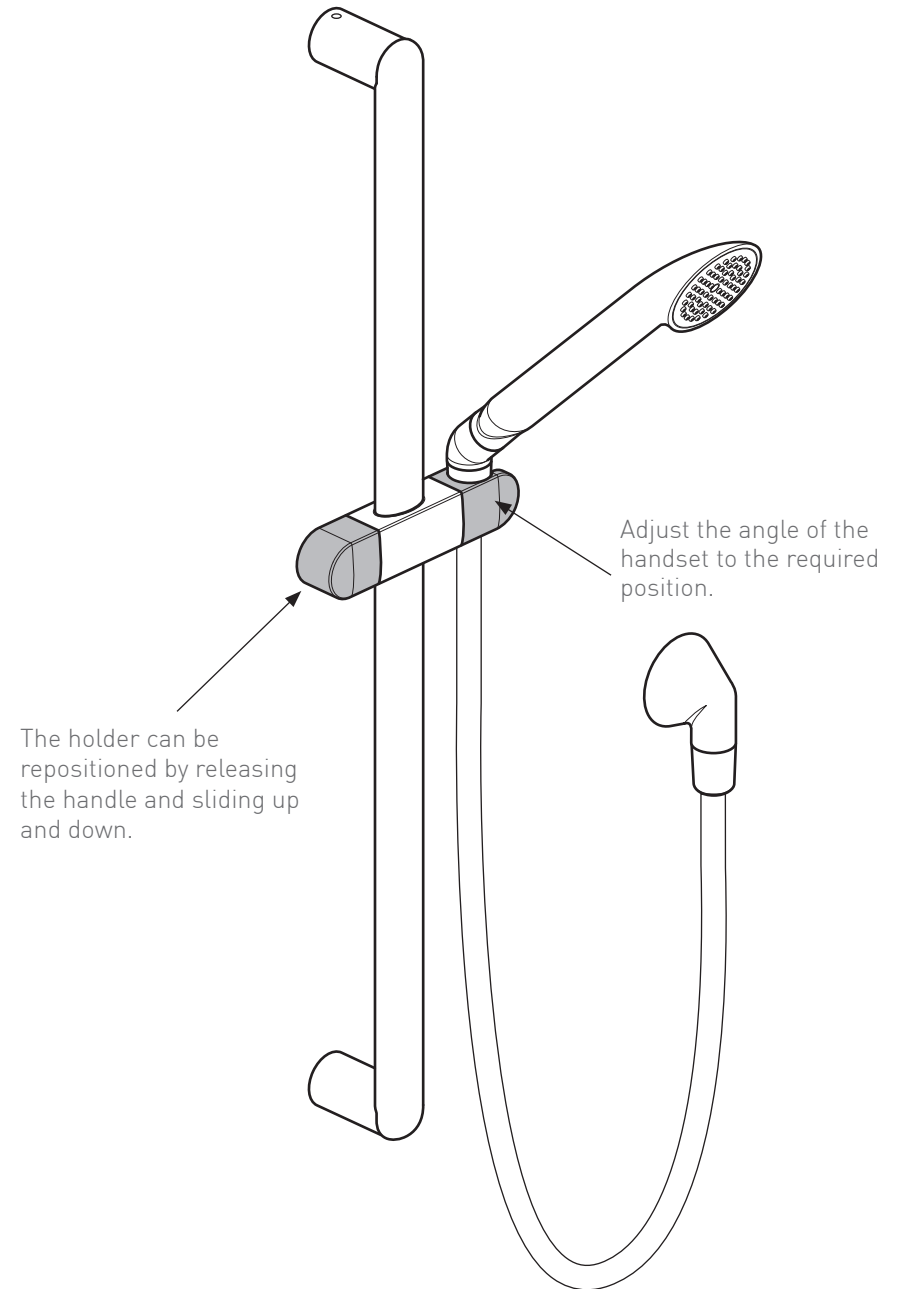


Outlet

Place the second rubber washer into the other end of the hose and attach it to the wall outlet.



Operation



Guarantee

All VADO products come with a 2 year guarantee as standard. Within this guarantee period VADO will provide replacement parts and any labour **[SEE NOTE 1]** needed to complete the product repair.

This standard guarantee may be extended by registering your product to give up to a 15 year guarantee period. Once registered:

VADO chromed brassware and stainless steel products have a 15 year guarantee (2 years parts and labour plus 13 years parts only).

VADO Sensori SmartTouch and SmartDial products have a 5 year guarantee (parts and labour).

VADO Identity and i-tech products have a 5 year guarantee (2 year parts and labour plus 3 years parts only).

All other VADO products have a 3 year guarantee (2 years parts and labour plus 1 year parts only)

[SEE NOTE 2].

Guarantee Conditions

Our products are guaranteed against manufacturing defects from the date of purchase until the expiry of the relevant guarantee period shown above.

The guarantee is only valid if:

- The product has been installed, used and maintained in accordance with VADO's instructions and subjected to normal use only.
- The defect is not due to use of an unsuitable or inadequate water or power supply.
- The defect is not due to accident, misuse, neglect or incorrect/inappropriate repair (other than by VADO or VADO authorised agents) or damage caused by foreign objects or substances.
- The extended guarantee is only available if you have completed the Guarantee Registration Process. This can be done via the VADO website or via phone to our aftersales team.

Registration must be completed within 6 months from date of purchase.

Under the extended guarantee period VADO will, at its option, offer to supply any replacement product (or component part) assessed to be defective **[SEE NOTE 3].**

The guarantee (whether standard or extended) is non-transferable to any subsequent owner.

All claims under the guarantee should be notified in the first instance to our Aftersales department, contact details below, this must be done no later than the last day of the relevant guarantee period.

All claims must be accompanied by proof of purchase (sales receipt or delivery note) from an official VADO dealer.

The guarantee does not extend to any consequential loss or damage.

After repair or replacement, the relevant guarantee period will be calculated from the original date of purchase.

VADO operates a policy of continuous product development and therefore reserves the right to change the product, packaging and documentation specifications without notice. E&OE.

NOTES:

[1] Labour via our engineer network is only available in the UK. Attendance by a VADO engineer or sub-contract engineer will be under our standard terms and conditions.

[2] VADO spare parts and shower hoses are under a parts only guarantee.

[3] VADO reserves the right to charge in advance for a product (or replacement part) pending collection and investigation (at VADO expense) to confirm a defect is due to a manufacturing issue. If a defect is found the charge will be refunded or cancelled.

This guarantee is in addition to and does not affect your statutory rights as a consumer.

Tel: 01934 745163

Email: aftersales@vado.com