

SPECIFICATION SHEET

COLLECTION: WASTES

PRODUCT CODE: IND-230-BLK



DESCRIPTION:

contemporary 1/4 turn angle valve
wall mounted
with integrated filter
ceramic cartridge
1/2" inlet
1/2" outlet

FINISH:

Brushed Black



tel: 01934 744466
email: sales@vado.com
www.vado.com

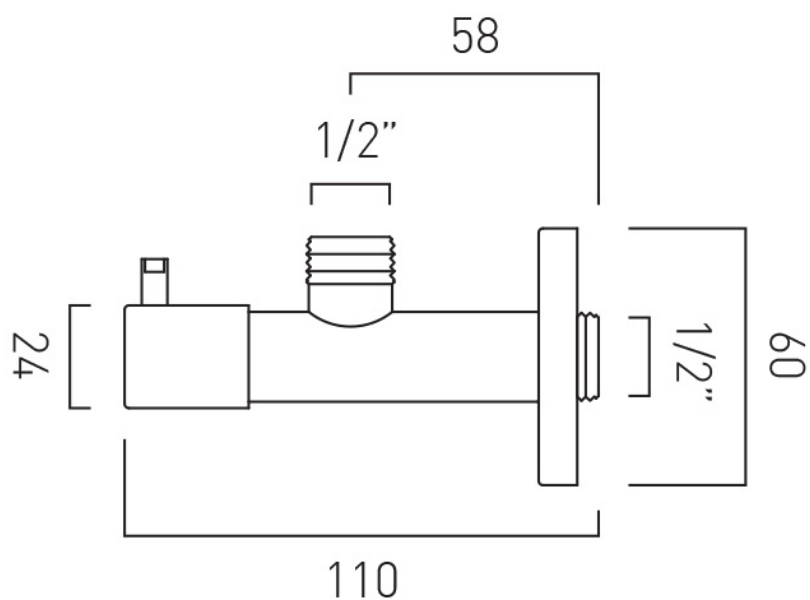
where inspiration flows
taps | showering | accessories



TECHNICAL DRAWING

COLLECTION: WASTES

PRODUCT CODE: IND-230-BLK



tel: 01934 744466
email: sales@vado.com
www.vado.com

where inspiration flows
taps | showering | accessories

