

# SPECIFICATION SHEET

**COLLECTION:** ATMOSPHERE

**PRODUCT CODE:** IND-SFSRK/RO-ATM-BRG



## DESCRIPTION:

Atmosphere  
slide rail shower kit  
with single function air-injection handset  
rub-clean nozzles  
805mm slide rail with twist control  
900mm overall rail length  
with 150cm smooth hose  
minimum operating pressure 0.2 bar LP

## FINISH:

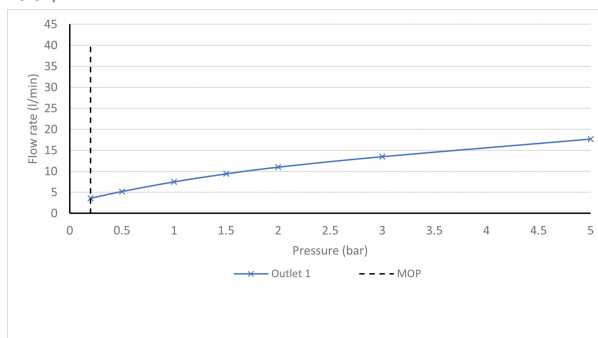
Brushed Gold

## MINIMUM OPERATING PRESSURE:

0.2 bar LP

## FLOW RATE AT 3.0 BAR FLOW PRESSURE:

13.5 l/min



tel: 01934 744466  
email: sales@vado.com  
www.vado.com

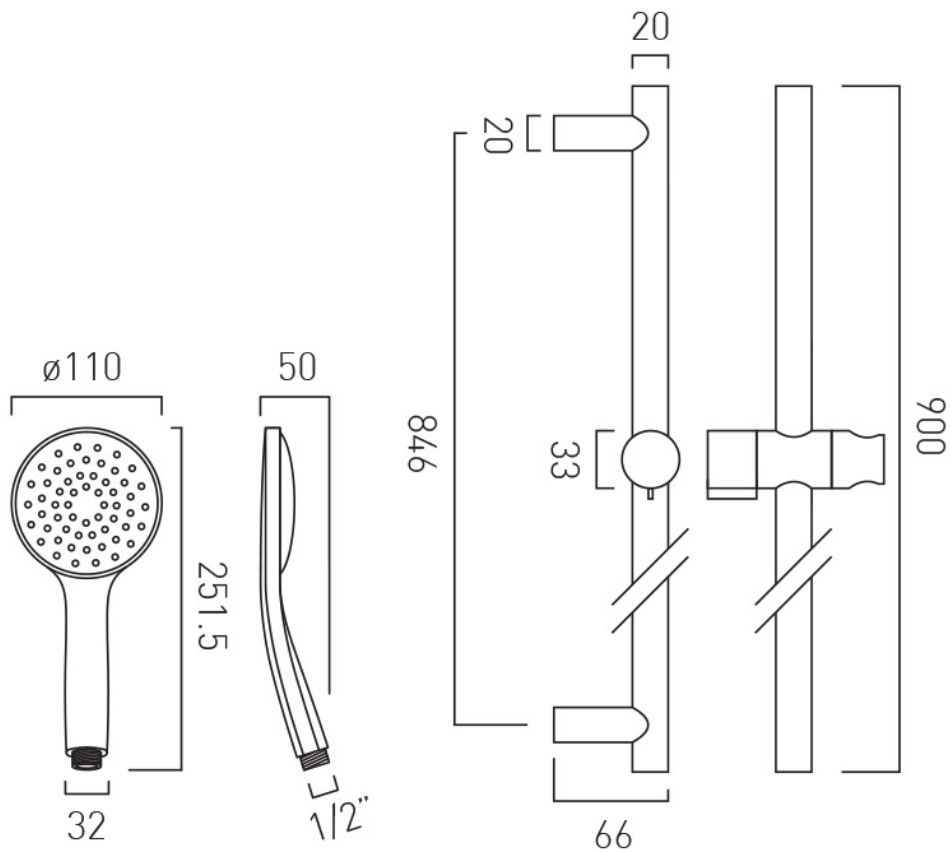
**where inspiration flows**  
taps | showering | accessories



# TECHNICAL DRAWING

**COLLECTION:** ATMOSPHERE

**PRODUCT CODE:** IND-SFSRK/RO-ATM-BRG



tel: 01934 744466  
email: sales@vado.com  
www.vado.com

**where inspiration flows**  
taps | showering | accessories

