

SPECIFICATION SHEET

COLLECTION:

PRODUCT CODE: IND-149RRK-RO-BRN



DESCRIPTION:

round thermostatic shower valve with integrated diverter
rigid riser with single function shower head and shower handset
250mm round shower head
410mm height adjustment tolerance:
min 825mm – max 1235mm
21mm depth adjustment tolerance:
min 69mm – max 90mm
offset connectors and easy-fit brackets included
flow cartridge C-801-33/2P
thermostatic cartridge V-704-34S
minimum operating pressure 1.0 bar MP

FINISH:

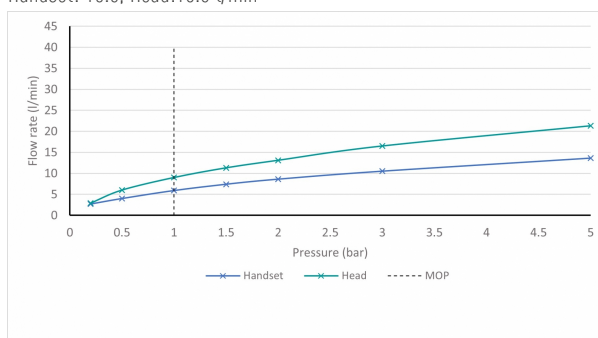
Brushed Nickel

MINIMUM OPERATING PRESSURE:

1.0 bar MP

FLOW RATE AT 3.0 BAR FLOW PRESSURE:

Handset: 10.5, Head: 16.5 l/min



tel: 01934 744466
email: sales@vado.com
www.vado.com

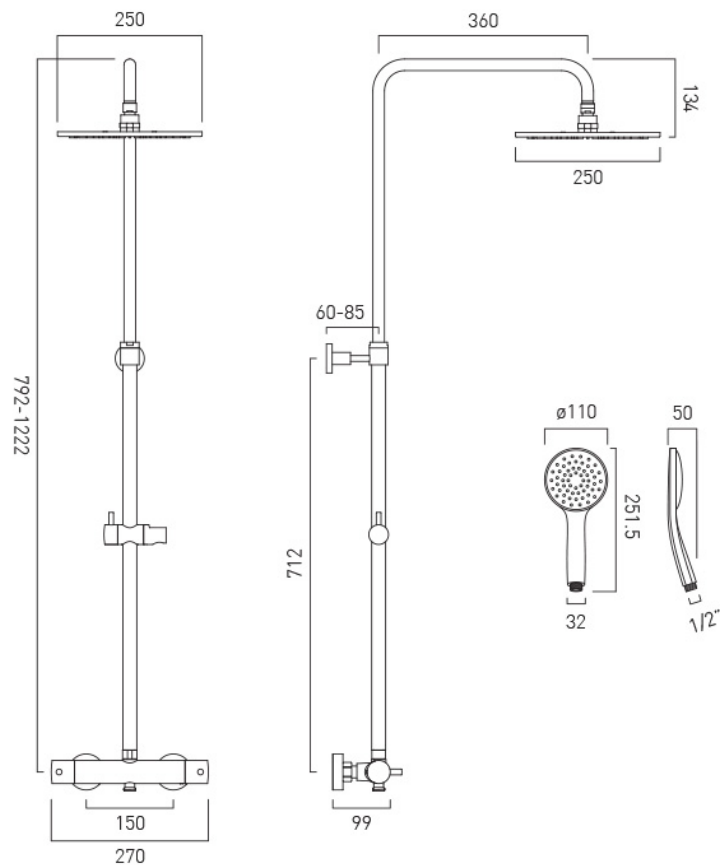
where inspiration flows
taps | showering | accessories



TECHNICAL DRAWING

COLLECTION:

PRODUCT CODE: IND-149RRK-RO-BRN



tel: 01934 744466
email: sales@vado.com
www.vado.com

where inspiration flows
taps | showering | accessories

