

# SPECIFICATION SHEET

**COLLECTION:** ATMOSPHERE

**PRODUCT CODE:** ATM-MFSRK-C/P



**DESCRIPTION:**

slide rail shower kit  
with 5 function air-injection handset  
805mm slide rail with twist control  
900mm overall rail length  
with 150cm smooth hose  
minimum operating pressure 1.0 bar MP

**FINISH:**

Chrome

**FLOW REGULATOR:**

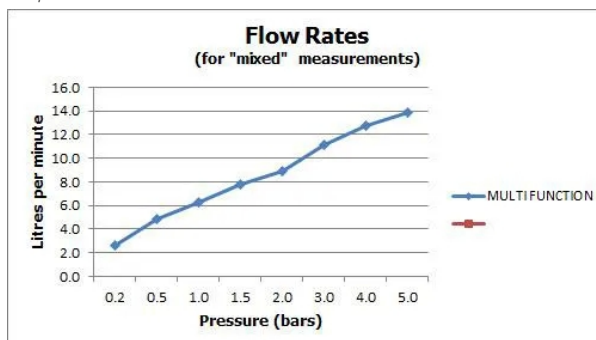
FR-SHOWER/9-C/P

**MINIMUM OPERATING PRESSURE:**

1.0 bar MP

**FLOW RATE AT 3.0 BAR FLOW PRESSURE:**

11 l/min



tel: 01934 744466  
email: sales@vado.com  
www.vado.com

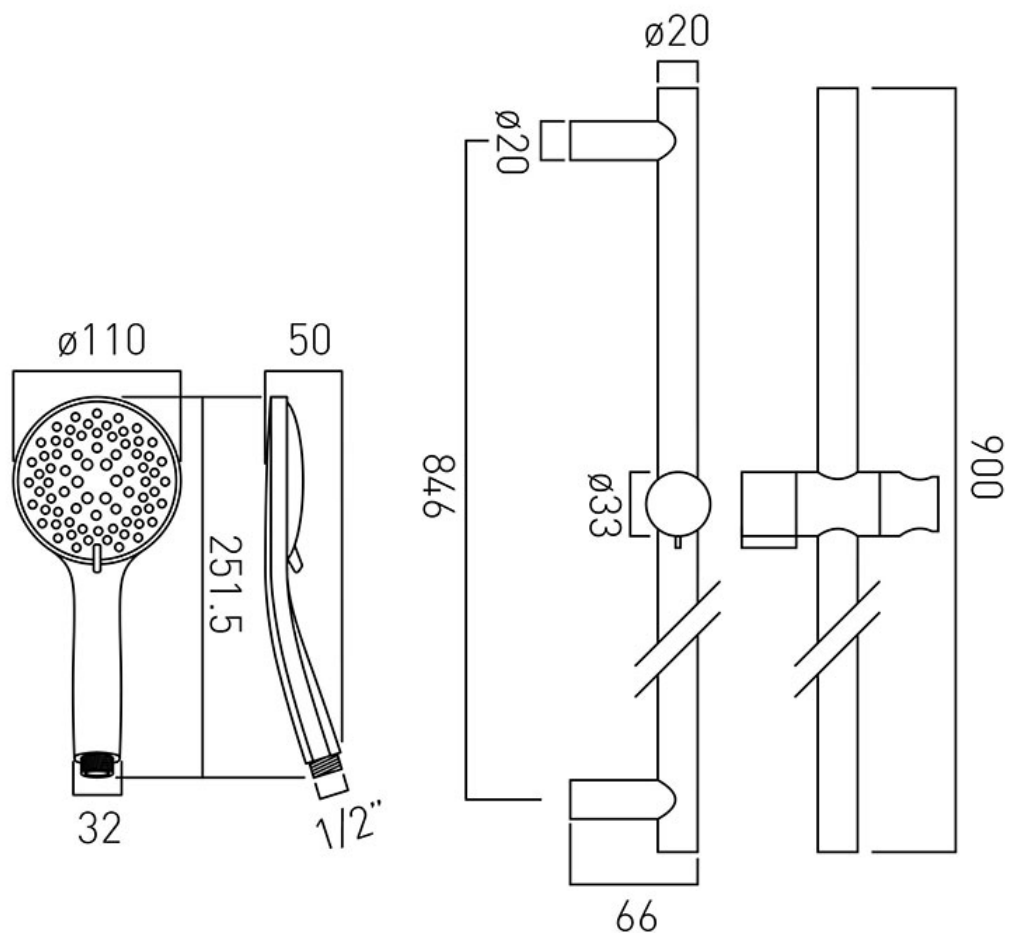
**where inspiration flows**  
taps | showering | accessories



# TECHNICAL DRAWING

**COLLECTION:** ATMOSPHERE

**PRODUCT CODE:** ATM-MFSRK-C/P



tel: 01934 744466  
email: sales@vado.com  
www.vado.com

**where inspiration flows**  
taps | showering | accessories

