

# SPECIFICATION SHEET

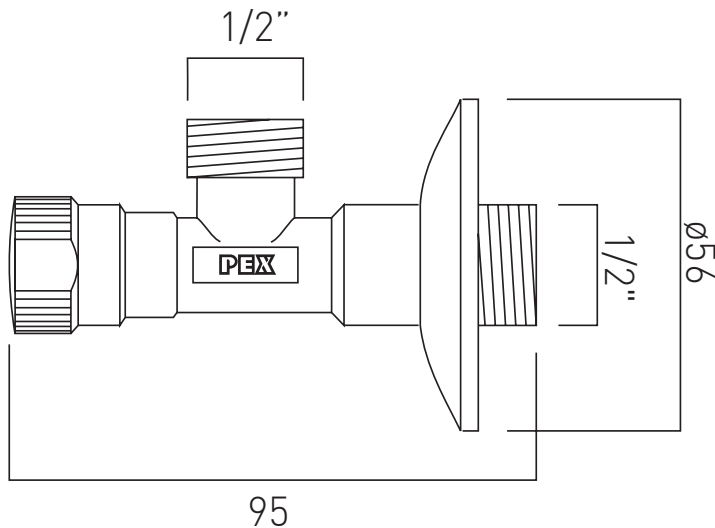


**PRODUCT CODE:** PEX-225A-C/P

**DESCRIPTION:**

1/2" x 1/2" angle valve

**FINISH:** Chrome



tel: +44 (0)1934 745160  
email: [export@vado.com](mailto:export@vado.com)  
[www.vado.com](http://www.vado.com)

