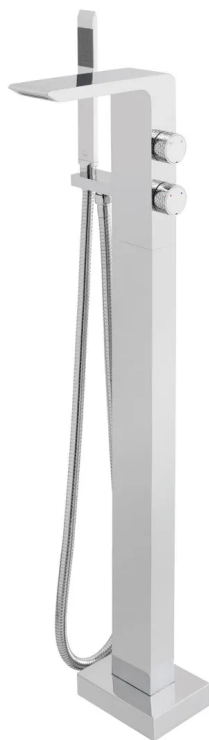


# SPECIFICATION SHEET

**COLLECTION:** OMIKA

**PRODUCT CODE:** OMI-133-C/P



**DESCRIPTION:**

bath shower mixer  
floor mounted  
with Omika single function shower kit  
quarter turn ceramic mix cartridge FL-601-33Q  
ceramic diverter cartridge FL-803-33/2X  
2 x 1/2" female threaded connections  
clearance 850mm from floor to spout  
minimum operating pressure 1.0 bar MP

**FINISH:**

Chrome

**FLOW REGULATOR:**

Optional (FR-FLEXI/8-PLA)

**MINIMUM OPERATING PRESSURE:**

1.0 bar MP

**FLOW RATE AT 3.0 BAR FLOW PRESSURE:**

Bath 30 l/min, shower 14 l/min



tel: 01934 744466  
email: sales@vado.com  
www.vado.com

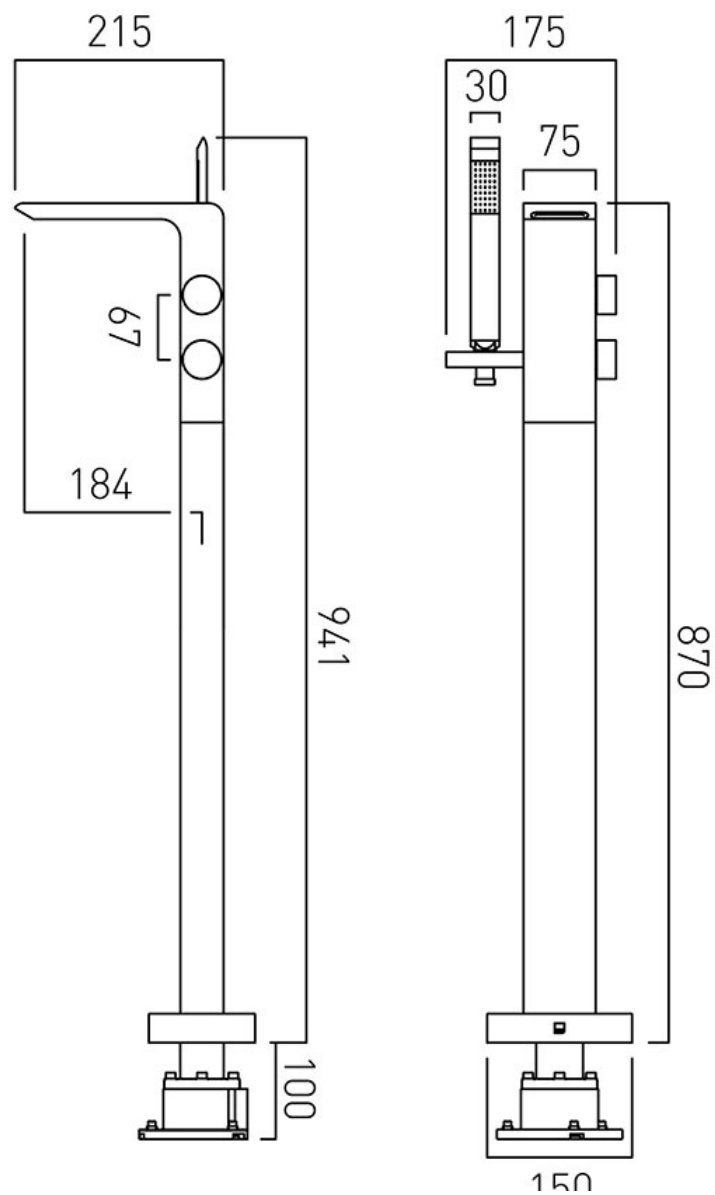
**where inspiration flows**  
taps | showering | accessories



# TECHNICAL DRAWING

**COLLECTION:** OMIKA

**PRODUCT CODE:** OMI-133-C/P



tel: 01934 744466  
email: sales@vado.com  
www.vado.com

**where inspiration flows**  
taps | showering | accessories

