

SPECIFICATION SHEET

COLLECTION: NOTION

PRODUCT CODE: NOT-232-CP



DESCRIPTION:

4 hole bath shower mixer
single lever, deck mounted
with fixed spout
with shower kit
with water flow aerator
diverter cartridge F-803-33/2X
ceramic cartridge CAR-KN40
2 x 3/4" x 3/4" 600mm flexipipe connectors
1 x 2m shower hose
2 x 400 1/2" female flexipipe connectors to valve
valve deck mount drill hole 46mm
spout deck mount drill hole 44mm
diverter deck mount drill hole 44mm
handset deck mount drill hole 32mm
minimum operating pressure 3.0 bar HP

FINISH:

Chrome

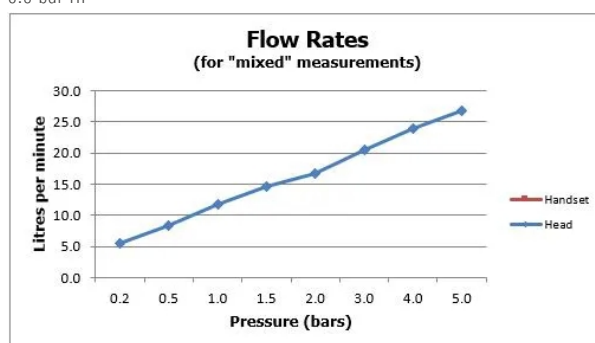
FLOW REGULATOR:

FR-SHOWER/9-C/P

MINIMUM OPERATING PRESSURE:

3.0 bar HP

15 year guarantee



tel: 01934 744466
email: sales@vado.com
www.vado.com

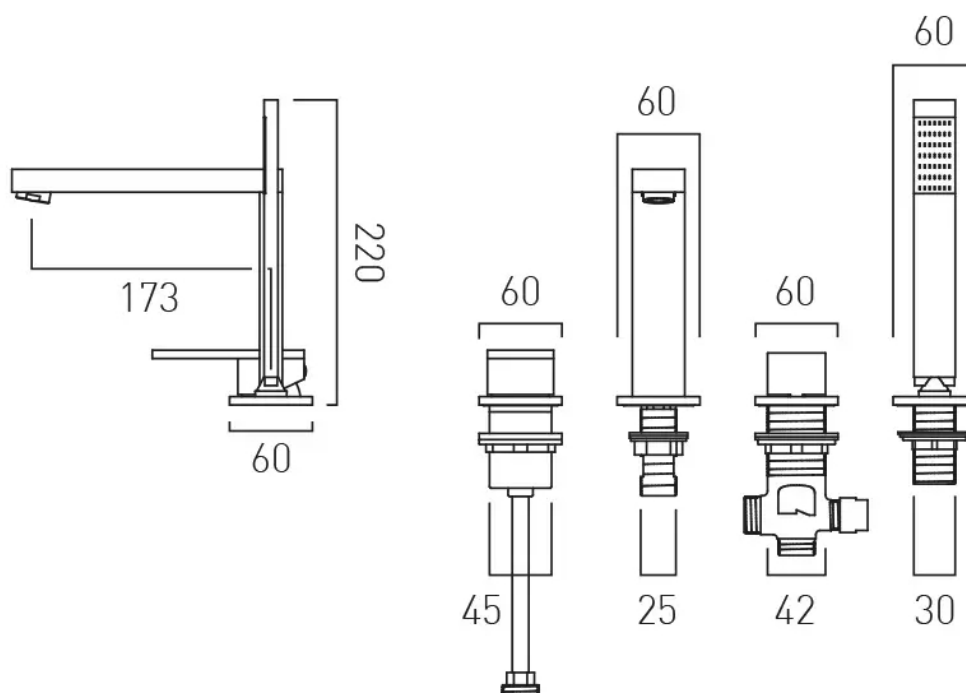
where inspiration flows
taps | showering | accessories



TECHNICAL DRAWING

COLLECTION: NOTION

PRODUCT CODE: NOT-232-CP



tel: 01934 744466
email: sales@vado.com
www.vado.com

where inspiration flows
taps | showering | accessories

