

# SPECIFICATION SHEET

**COLLECTION:** FLUSH CISTERNS AND PLATES

**PRODUCT CODE:** WG-095-F/C



## DESCRIPTION:

concealed standard frame cistern  
dual flush  
180mm & 230mm width centres to support wall hung toilet  
250mm leg height adjustment  
frame supports 400kg weight  
30mm soil pipe height adjustment  
block wall and stud frame fixing brackets included  
top mounted 1/2" inlet  
integral internal 1/4 turn lever isolation valve  
integral internal debris filter  
finished height fixing location marking  
flush plate depth tolerance of 70mm  
pre-set flush volume 6ltr & 3ltr  
flush volume adjustable to 4ltr & 2.6ltr  
front actuation



tel: 01934 744466  
email: [sales@vado.com](mailto:sales@vado.com)  
[www.vado.com](http://www.vado.com)

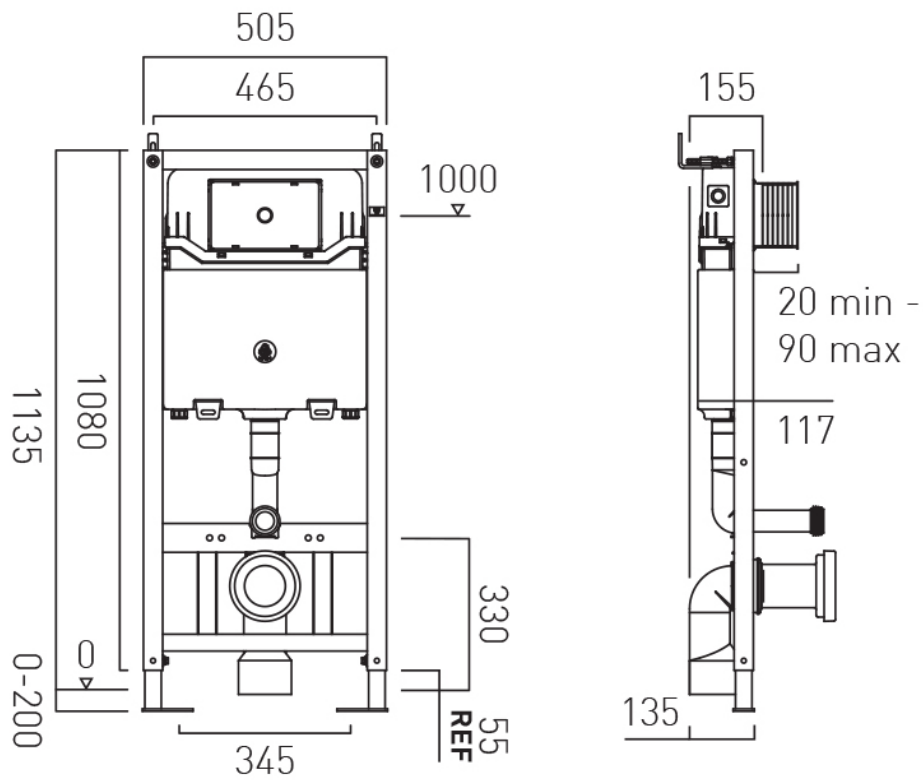
**where inspiration flows**  
taps | showering | accessories



# TECHNICAL DRAWING

**COLLECTION:** FLUSH CISTERNS AND PLATES

**PRODUCT CODE:** WG-095-F/C



tel: 01934 744466  
email: sales@vado.com  
www.vado.com

**where inspiration flows**  
taps | showering | accessories

