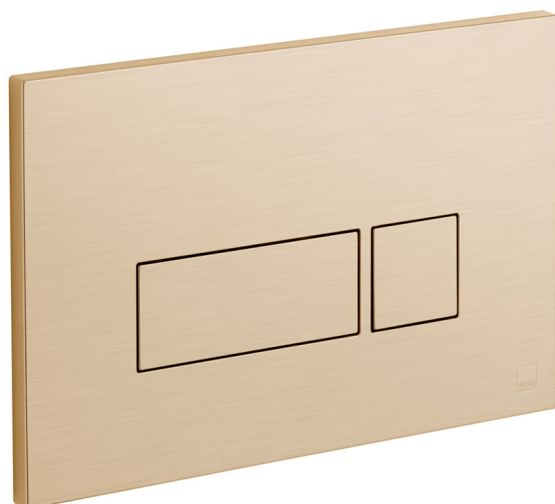


# SPECIFICATION SHEET

**COLLECTION:** FLUSH CISTERNS AND PLATES

**PRODUCT CODE:** IND-195-SQ-BRG



**DESCRIPTION:**

horizontal square dual flush trim kit  
2 x pneumatic flush actuation controls  
easy to use push-fit pneumatic hose connections  
rectangle backplate

**FINISH:**

Brushed Gold



tel: 01934 744466  
email: sales@vado.com  
www.vado.com

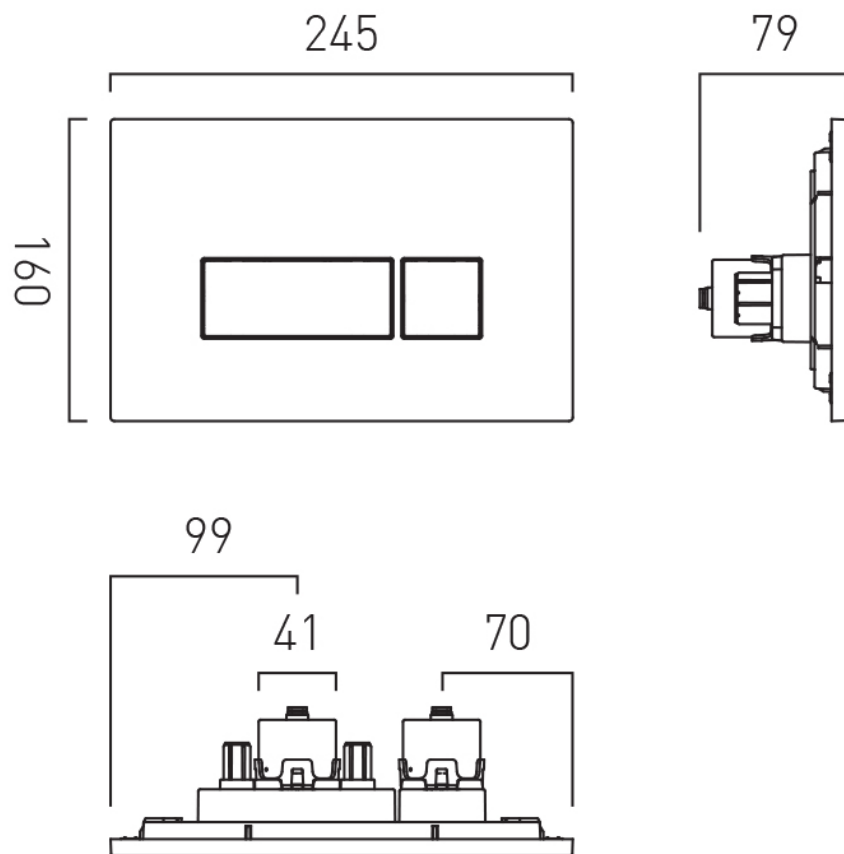
**where inspiration flows**  
taps | showering | accessories



# TECHNICAL DRAWING

**COLLECTION:** FLUSH CISTERNS AND PLATES

**PRODUCT CODE:** IND-195-SQ-BRG



tel: 01934 744466  
email: [sales@vado.com](mailto:sales@vado.com)  
[www.vado.com](http://www.vado.com)

**where inspiration flows**  
taps | showering | accessories

