

SPECIFICATION SHEET

COLLECTION: ZONE
PRODUCT CODE: ZON-143-CP



SHOWER TYPE

Shower Valve

VALVE TYPE

Concealed

ORIENTATION

Vertical

NUMBER OF OUTLETS

1 Outlet

WITH ALL-FLOW FUNCTION

No

WITH INTEGRATED DIVERTER

No

COMPATIBLE WITH STUDFAST

No

WITH BLEED VALVE FOR SYSTEM FLUSH ON INSTALLATION

No

WITH SHOWER KIT

No

SPECIFICATION SHEET

COLLECTION: ZONE
PRODUCT CODE: ZON-143-CP

INCLUDES MORTAR / TILE GUARD

Yes

COMPATIBLE WITH EASY-FIX BRACKETS

No

WITH THERMOSTATIC TECHNOLOGY

No

MIN-MAX WALL MOUNT

78-113mm

CONNECTIONS / FITTINGS

1 x 1/2" female inlet, 1 x 1/2" female outlet

SPARE PARTS

flow-stop-go cartridge N-10-01-26F

MOUNTING

Wall Mounted

PLUMBING SYSTEM SUITABILITY

Gravity System, Combination Boiler

COLLECTION NAME

Zone

FINISH

Chrome

MINIMUM OPERATING PRESSURE

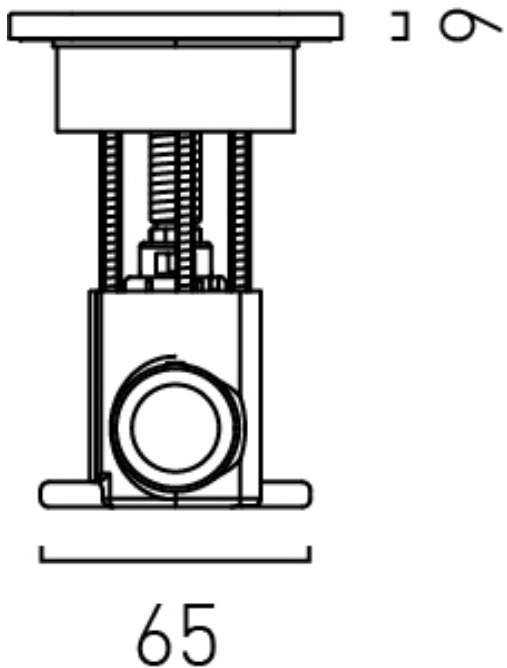
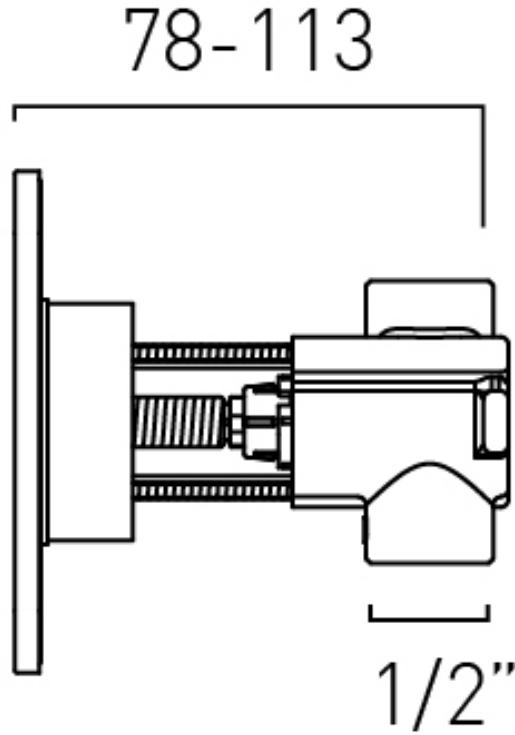
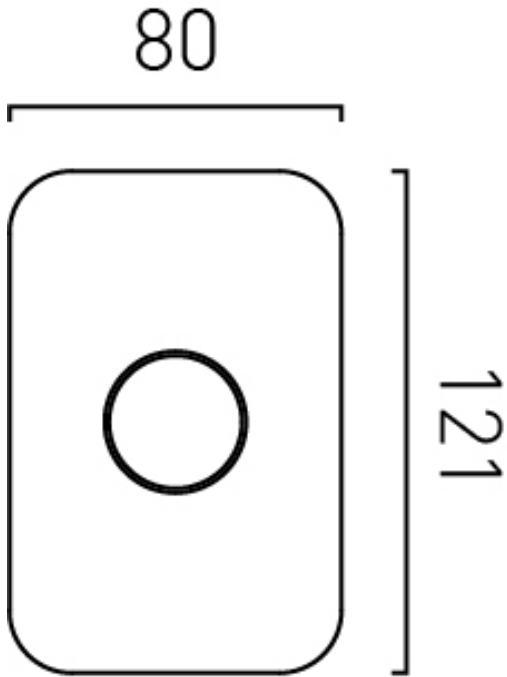
1.0 Bar MP

GUARANTEE

15 Year Guarantee

TECHNICAL DRAWING

COLLECTION: ZONE
PRODUCT CODE: ZON-143-CP



tel: 01934 744466
email: sales@vado.com
www.vado.com

WHERE INSPIRATION FLOWS
TAPS | SHOWERS | ACCESSORIES

