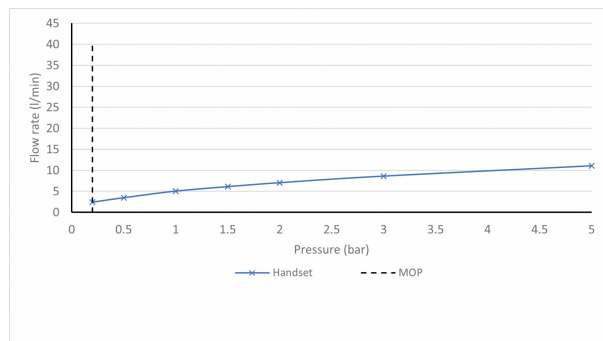


SPECIFICATION SHEET

COLLECTION: WASTES & FITTINGS
PRODUCT CODE: IND-SHATTAF/163-BRZ



TAP TYPE

Wastes and Fittings

PLUMBING SYSTEM SUITABILITY

Gravity System, Combination Boiler

MOUNTING

Wall Mounted

SPARE PARTS

mixing valve thermostatic cartridge V-001D-PLA

HOSE

with 150cm hose

WITH THERMOSTATIC TECHNOLOGY

Yes

WITH OUTLET / BRACKET

with Bracket

COLLECTION NAME

Wastes & Fittings

FINISH

Brushed Bronze

tel: 01934 744466
email: sales@vado.com
www.vado.com

WHERE INSPIRATION FLOWS
TAPS | SHOWERS | ACCESSORIES



SPECIFICATION SHEET

COLLECTION: WASTES & FITTINGS
PRODUCT CODE: IND-SHATTAF/163-BRZ

MINIMUM OPERATING PRESSURE

1.0 Bar MP

GUARANTEE

15 Year Guarantee

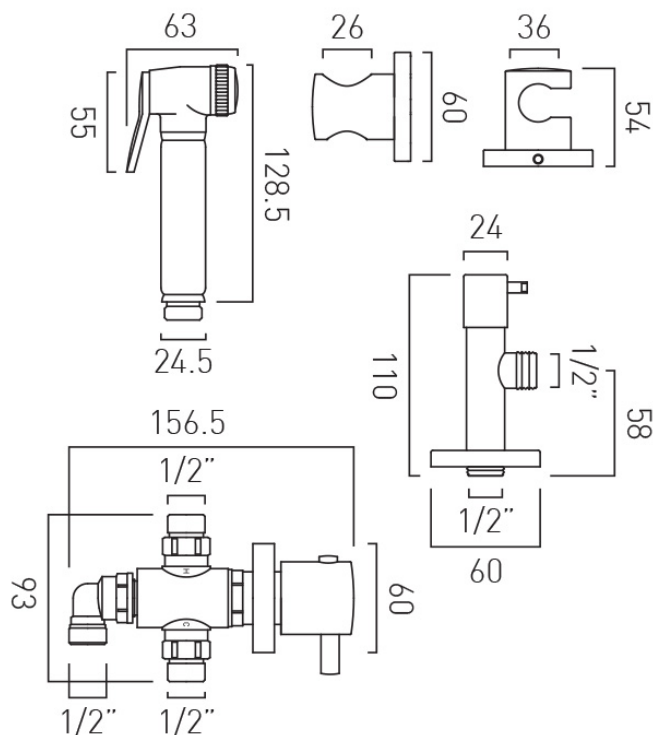
tel: 01934 744466
email: sales@vado.com
www.vado.com

WHERE INSPIRATION FLOWS
TAPS | SHOWERS | ACCESSORIES



TECHNICAL DRAWING

COLLECTION: WASTES & FITTINGS
PRODUCT CODE: IND-SHATTAF/163-BRZ



tel: 01934 744466
email: sales@vado.com
www.vado.com

WHERE INSPIRATION FLOWS
TAPS | SHOWERS | ACCESSORIES

