

SPECIFICATION SHEET

COLLECTION: SENSE

PRODUCT CODE: SEN-100EF/SB-C/P



TAP TYPE

Basin Mixer

COLLECTION NAME

Sense

FINISH

Chrome

RECOMMENDED FLOW REGULATOR

5 l/m flow regulator fitted as standard

MINIMUM OPERATING PRESSURE

0.2 Bar LP

GUARANTEE

15 Year Guarantee

HANDLES

Single Lever

WITH ECOTURN COLD START TECHNOLOGY

No

WITH WATER FLOW STRAIGHTENER

No

tel: 01934 744466
email: sales@vado.com
www.vado.com

WHERE INSPIRATION FLOWS
TAPS | SHOWERS | ACCESSORIES



SPECIFICATION SHEET

COLLECTION: SENSE

PRODUCT CODE: SEN-100EF/SB-C/P

WITH WATER FLOW AERATOR

Yes

CONNECTIONS / FITTINGS

2 x 1/2" 550mm flexipipe connections

SPARE PARTS

ceramic cartridge CAR-K40A

DECK HOLE DRILL DIAMETER

35mm

HOLES

1 hole

MOUNTING

Deck Mounted

PLUMBING SYSTEM SUITABILITY

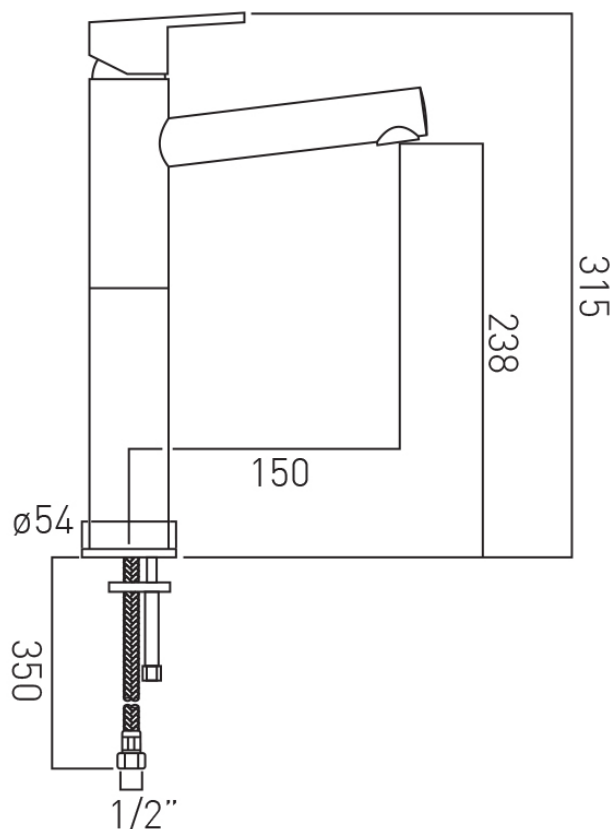
Gravity System, Pumped System, Combination Boiler, Pressurised System



TECHNICAL DRAWING

COLLECTION: SENSE

PRODUCT CODE: SEN-100EF/SB-C/P



tel: 01934 744466
email: sales@vado.com
www.vado.com

WHERE INSPIRATION FLOWS
TAPS | SHOWERS | ACCESSORIES

