

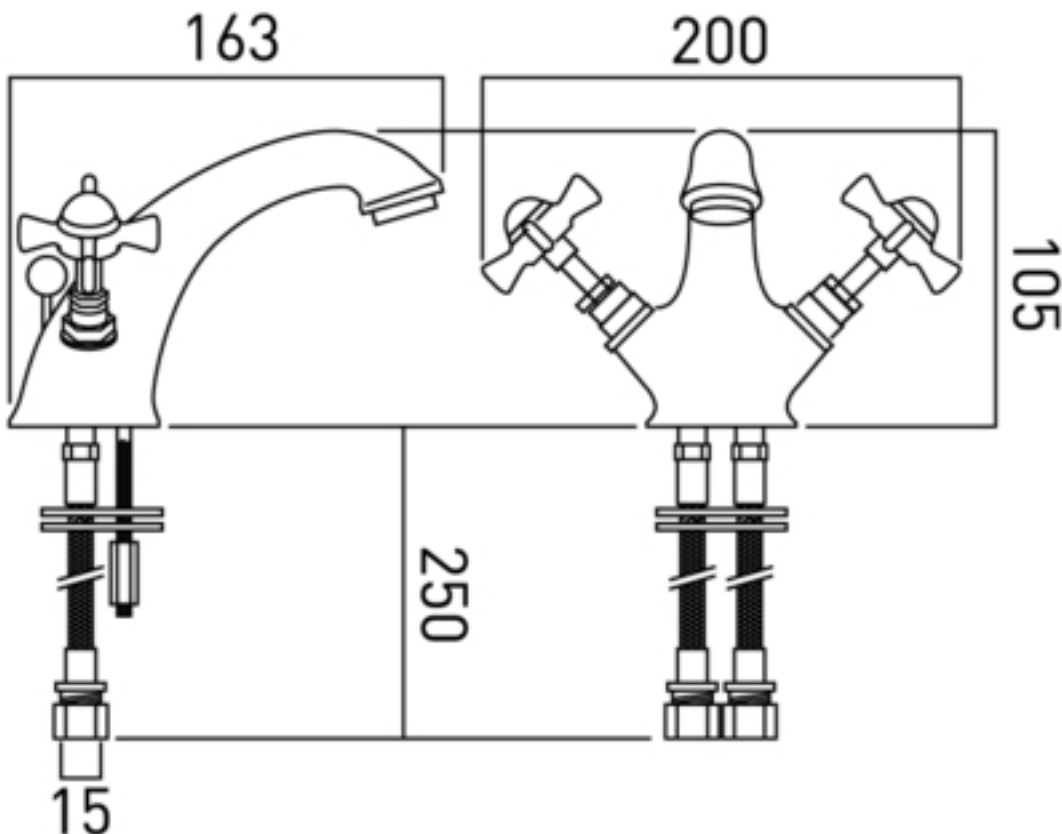


Technical sheet: WEN-100



- mono basin mixer
- with pop-up waste
- with water flow straightener
- chrome or antique gold finish
- cartridge WEN-VALVE-3/8-C/P (chrome)
- cartridge WEN-VALVE-3/8-A/G (antique gold)
- 2 x 15mm x 250mm copper tail connections
- deck mounting drill hole diameter 34mm
- 0.2 bar LP

Technical drawing



All products include a 12 year guarantee.