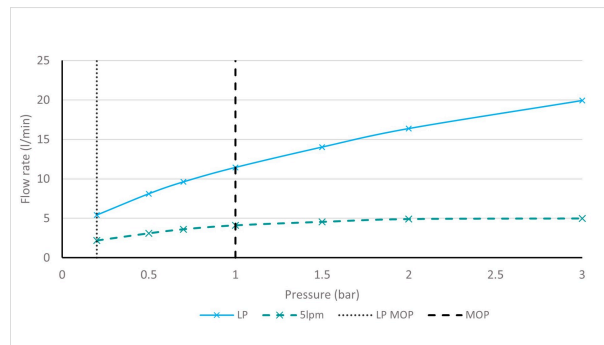


SPECIFICATION SHEET

COLLECTION: CAMEO
PRODUCT CODE: CAM-200/SB-CP



TAP TYPE

Basin Mixer

COLLECTION NAME

Cameo

FINISH

Chrome

RECOMMENDED FLOW REGULATOR

5 l/min Flow Regulator

MINIMUM OPERATING PRESSURE

1.0 Bar MP

GUARANTEE

15 Year Guarantee

HANDLES

Single Lever

WITH ECOTURN COLD START TECHNOLOGY

No

WITH WATER FLOW STRAIGHTENER

No

tel: 01934 744466
email: sales@vado.com
www.vado.com

WHERE INSPIRATION FLOWS
TAPS | SHOWERS | ACCESSORIES



SPECIFICATION SHEET

COLLECTION: CAMEO
PRODUCT CODE: CAM-200/SB-CP

WITH WATER FLOW AERATOR

Yes

CONNECTIONS / FITTINGS

2 x 1/2" 450mm flexipipe connection

SPARE PARTS

ceramic cartridge C-001-N30

DECK HOLE DRILL DIAMETER

35mm

WASTE

None (Smooth Bodied)

STYLE

Square

HOLES

1 Hole

MOUNTING

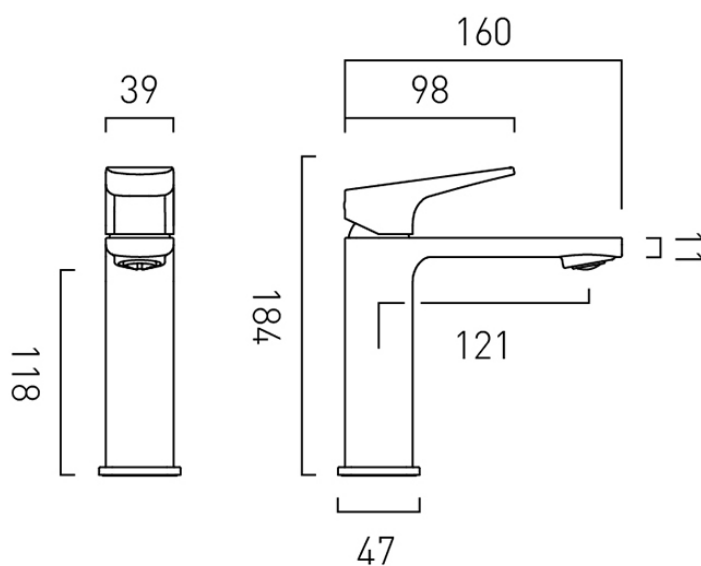
Deck Mounted

PLUMBING SYSTEM SUITABILITY

Combination Boiler

TECHNICAL DRAWING

COLLECTION: CAMEO
PRODUCT CODE: CAM-200/SB-CP



tel: 01934 744466
email: sales@vado.com
www.vado.com

WHERE INSPIRATION FLOWS
TAPS | SHOWERS | ACCESSORIES

