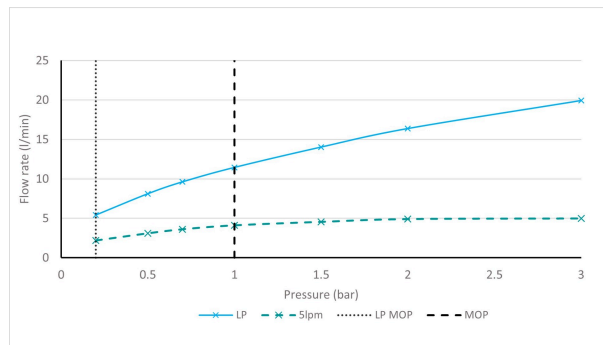


SPECIFICATION SHEET

COLLECTION: CAMEO
PRODUCT CODE: CAM-100/SB-MB



TAP TYPE

Basin Mixer

COLLECTION NAME

Cameo

FINISH

Matt Black

RECOMMENDED FLOW REGULATOR

5 l/min Flow Regulator

MINIMUM OPERATING PRESSURE

1.0 Bar MP

GUARANTEE

15 Year Guarantee

WITH ECOTURN COLD START TECHNOLOGY

No

WITH WATER FLOW STRAIGHTENER

No

WITH WATER FLOW AERATOR

No

tel: 01934 744466
email: sales@vado.com
www.vado.com

WHERE INSPIRATION FLOWS
TAPS | SHOWERS | ACCESSORIES



SPECIFICATION SHEET

COLLECTION: CAMEO

PRODUCT CODE: CAM-100/SB-MB

CONNECTIONS / FITTINGS

2 x 1/2" 450mm flexipipe connection

SPARE PARTS

ceramic cartridge C-001-N30

DECK HOLE DRILL DIAMETER

35mm

STYLE

Square

HOLES

1 Hole

MOUNTING

Deck Mounted

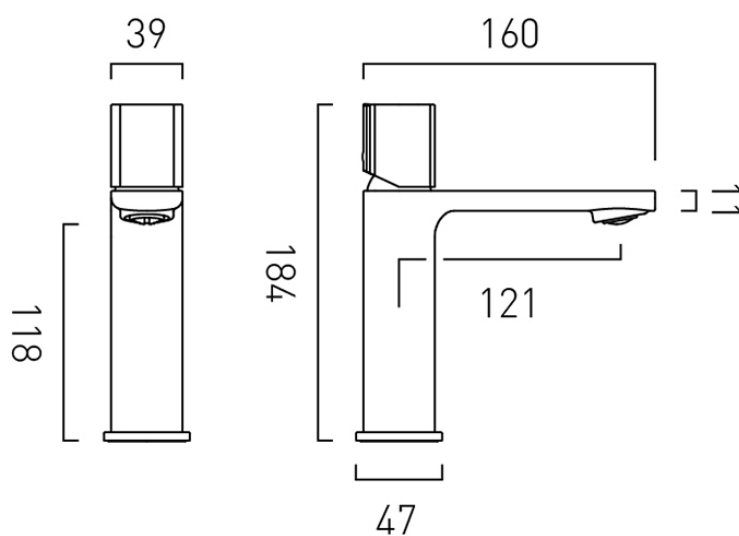
PLUMBING SYSTEM SUITABILITY

Combination Boiler



TECHNICAL DRAWING

COLLECTION: CAMEO
PRODUCT CODE: CAM-100/SB-MB



tel: 01934 744466
email: sales@vado.com
www.vado.com

WHERE INSPIRATION FLOWS
TAPS | SHOWERS | ACCESSORIES

