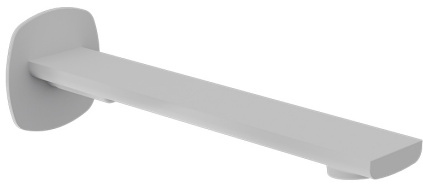


SPECIFICATION SHEET

COLLECTION: CAMEO
PRODUCT CODE: CAM-140-MW



TAP TYPE

Bath Spout

PLUMBING SYSTEM SUITABILITY

Combination Boiler

MOUNTING

Wall Mounted

HOLES

1 Hole

STYLE

Square

WALL HOLE DRILL DIAMETER

25-55mm

CONNECTIONS / FITTINGS

1/2" x 10mm male threaded connection

COLLECTION NAME

Cameo

FINISH

Matt White

tel: 01934 744466
email: sales@vado.com
www.vado.com

WHERE INSPIRATION FLOWS
TAPS | SHOWERS | ACCESSORIES



SPECIFICATION SHEET

COLLECTION: CAMEO
PRODUCT CODE: CAM-140-MW

MINIMUM OPERATING PRESSURE

1.0 Bar MP

GUARANTEE

15 Year Guarantee

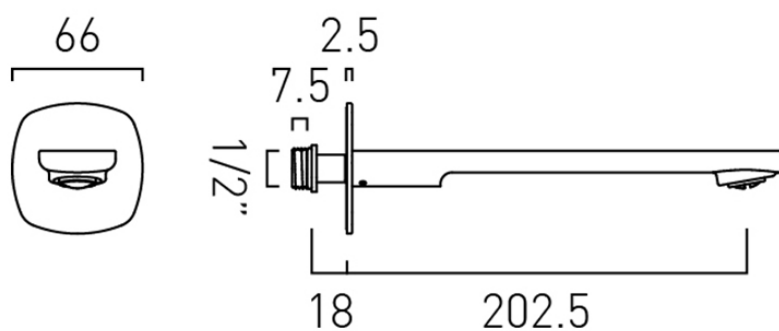
tel: 01934 744466
email: sales@vado.com
www.vado.com

WHERE INSPIRATION FLOWS
TAPS | SHOWERS | ACCESSORIES



TECHNICAL DRAWING

COLLECTION: CAMEO
PRODUCT CODE: CAM-140-MW



tel: 01934 744466
email: sales@vado.com
www.vado.com

WHERE INSPIRATION FLOWS
TAPS | SHOWERS | ACCESSORIES

