

SPECIFICATION SHEET

COLLECTION: CAMEO
PRODUCT CODE: CAM-F800-NO



COLLECTION NAME

Cameo

FINISH

Natural Oak

GUARANTEE

6 Year Guarantee

FURNITURE TYPE

Vanity Unit

SIZE

800mm

MOUNTING

Wall Mounted

DRAWERS

2 Drawers

CLOSE/OPEN SYSTEM

2 Quick Release, Soft Close Drawers

FIXING LOCATION

100mm from top of unit

tel: 01934 744466
email: sales@vado.com
www.vado.com

WHERE INSPIRATION FLOWS
TAPS | SHOWERS | ACCESSORIES



SPECIFICATION SHEET

COLLECTION: CAMEO
PRODUCT CODE: CAM-F800-NO

SPACE SAVING SOLUTION

Bottle trap cut out in top drawer

NOTES

Height adjustable wall brackets

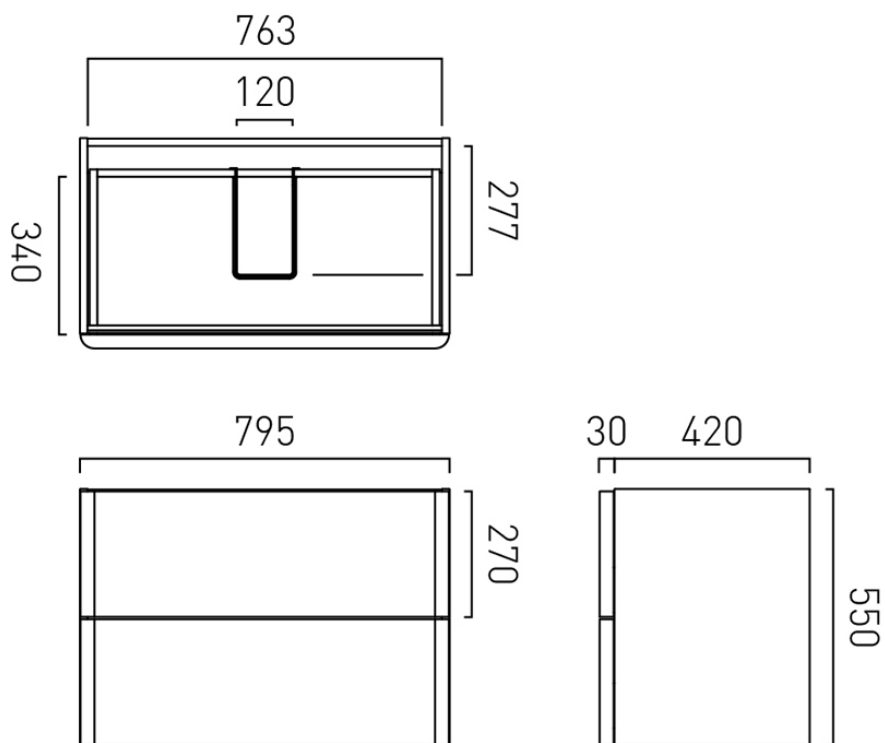
tel: 01934 744466
email: sales@vado.com
www.vado.com

WHERE INSPIRATION FLOWS
TAPS | SHOWERS | ACCESSORIES



TECHNICAL DRAWING

COLLECTION: CAMEO
PRODUCT CODE: CAM-F800-NO



tel: 01934 744466
email: sales@vado.com
www.vado.com

WHERE INSPIRATION FLOWS
TAPS | SHOWERS | ACCESSORIES

