

SPECIFICATION SHEET

COLLECTION: CAMEO
PRODUCT CODE: CAM-WC-WH-SQ



COLLECTION NAME

Cameo

FINISH

Gloss White

GUARANTEE

25 Year Guarantee

FURNITURE TYPE

Toilet

SHAPE

Soft Square

MOUNTING

Wall Hung

CISTERN FRAME COMPATIBILITY

Standard and Short Frame

NOTES

Toilet seat sold separate

tel: 01934 744466
email: sales@vado.com
www.vado.com

WHERE INSPIRATION FLOWS
TAPS | SHOWERS | ACCESSORIES



SPECIFICATION SHEET

COLLECTION: CAMEO

PRODUCT CODE: CAM-WC-WH-SQ

tel: 01934 744466
email: sales@vado.com
www.vado.com

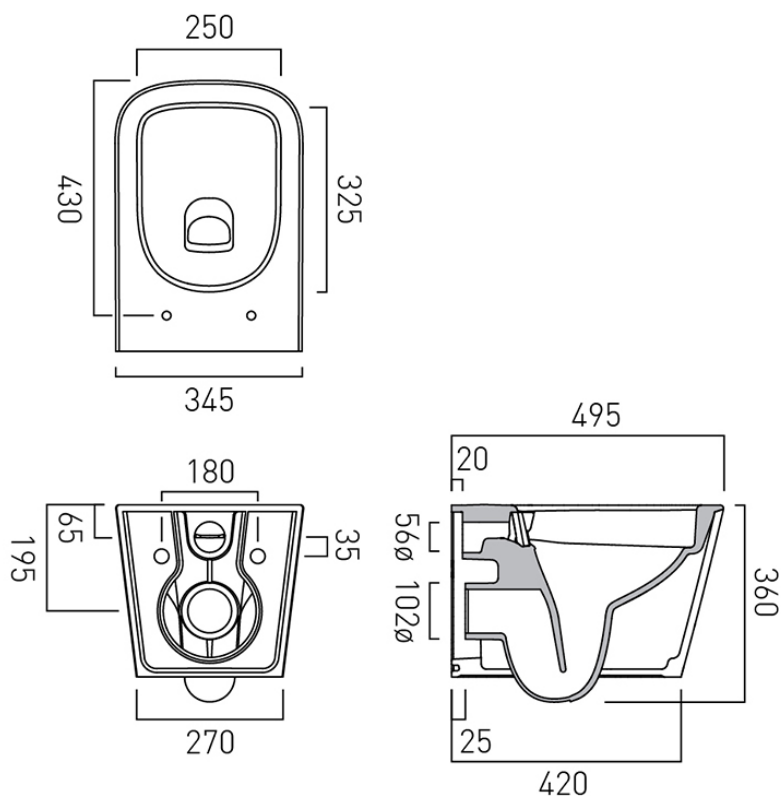
WHERE INSPIRATION FLOWS
TAPS | SHOWERS | ACCESSORIES



TECHNICAL DRAWING

COLLECTION: CAMEO

PRODUCT CODE: CAM-WC-WH-SQ



tel: 01934 744466
email: sales@vado.com
www.vado.com

WHERE INSPIRATION FLOWS
TAPS | SHOWERS | ACCESSORIES

